



# WORLDWIDE ELECTRIC MOTOR DATA SHEET



## ODP15-36-215T

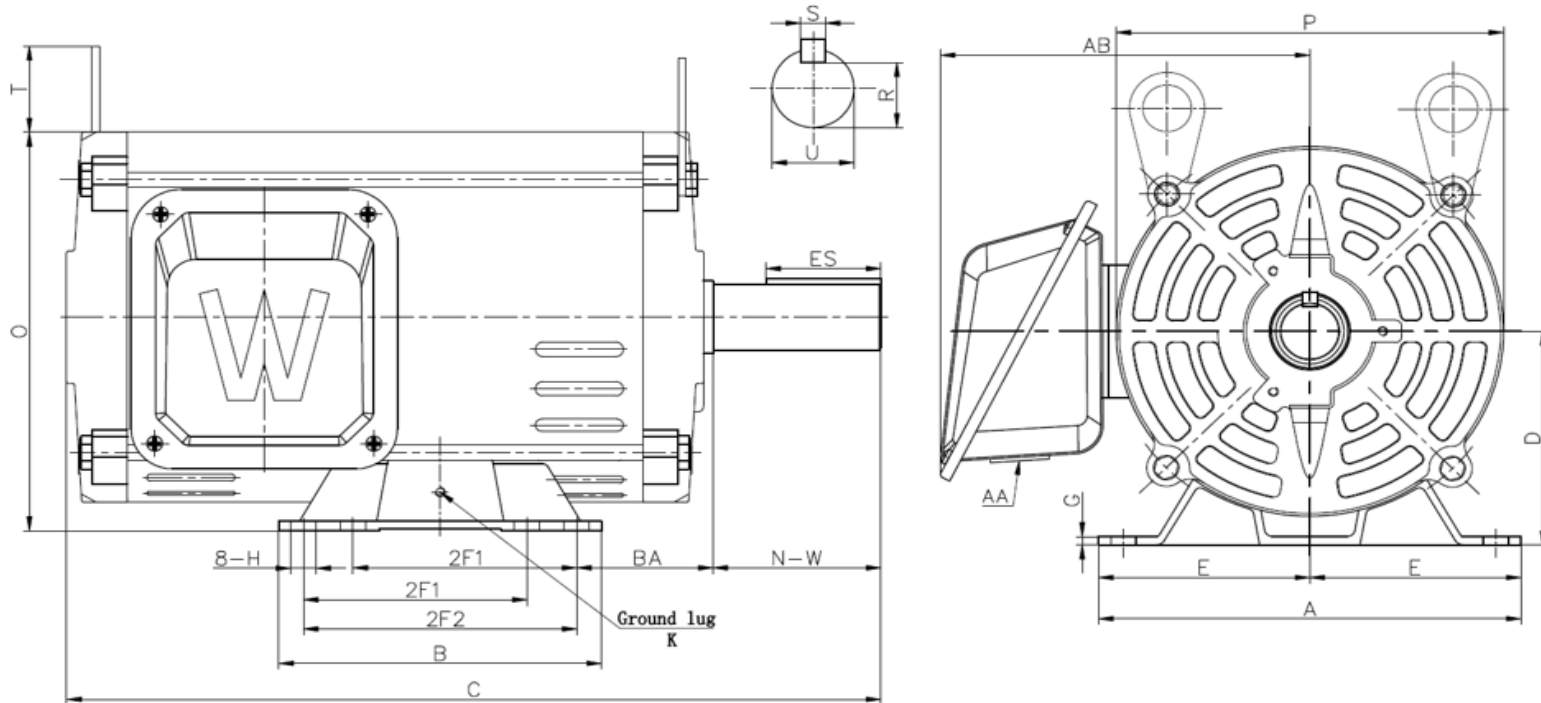
HORSEPOWER	15		
RPM / POLES	3600 / 2		
VOLTAGE / PHASE	208 - 230 / 460 V / 3		
FRAME	215T		
ENCLOSURE / DEGREE OF PROTECTION	ODP / IP23		
FREQUENCY	60 HZ Suitable For 50 HZ Operation With 1.0 SF		
FULL LOAD SPEED	3482 RPM		
SERVICE FACTOR	1.15 SF 60HZ / 1.0 SF at 50HZ		
INSULATION CLASS	F		
FULL LOAD AMPS; 230 / 460	34.2 / 17.1 A		
LOCKED ROTOR AMPS (STARTING); 230 / 460	234.4 / 117.2 A		
NO LOAD CURRENT	7.46 / 3.73 A		
NEMA CODE LETTER	G		
EFFICIENCY / POWER FACTOR	<u>LOAD</u>	<u>EFF.</u>	<u>P.F.</u>
	100%	90.2%	0.89
	75%	91.7%	0.88
	50%	92.2%	0.84
DUTY CYCLE	S1 / Continuous		
TORQUE	<u>FULL LOAD</u>	<u>LRT</u>	<u>BDT</u>
	22.08lb.ft.	337%	385%
SLIP	3.289%		
NEMA DESIGN	B		
NUMBER OF STARTS (Hot / Cold)	2 Hot / 3 Cold		
MAX. AMBIENT TEMPERATURE	40° C		
MAX. ELEVATION	3300 Ft. Above Sea Level		
TEMPERATURE RISE (At Full Load)	80° C		
DE BEARING	6308ZZ		
ODE BEARING	6306ZZ		
GREASE TYPE	NS7 ENS		
MOUNTING	F1 (F2 Suitable)		
ROTATION	Bi-Directional		
APPROXIMATE WEIGHT	142 lbs.		
AREA CLASSIFICATION	Non-Hazardous		
INVERTER RATING	10:1 CT / 20:1 VT PWM Type		
SPECIFICATION - In Accordance With	NEMA, UR		





WORLDWIDE ELECTRIC MOTOR DRAWING

ODP-215T



ALL DIMENSIONS IN INCHES

MOUNTING					A	B	C	D	G	K
E	2F1	2F2	H	BA						
4.25	5.5	7	0.43	3.5	9.69	8.18	17.8	5.25	0.18	M5

KEYSET	KEY		U	N-W	P	AB	AA	O	T
R	ES	S							
1.201	2.41	0.312	1.375	3.38	8.975	8.16	1.38	9.74	1.5