



**WORLDWIDE ELECTRIC MOTOR DATA SHEET**



**ODP1.5-12-182T**

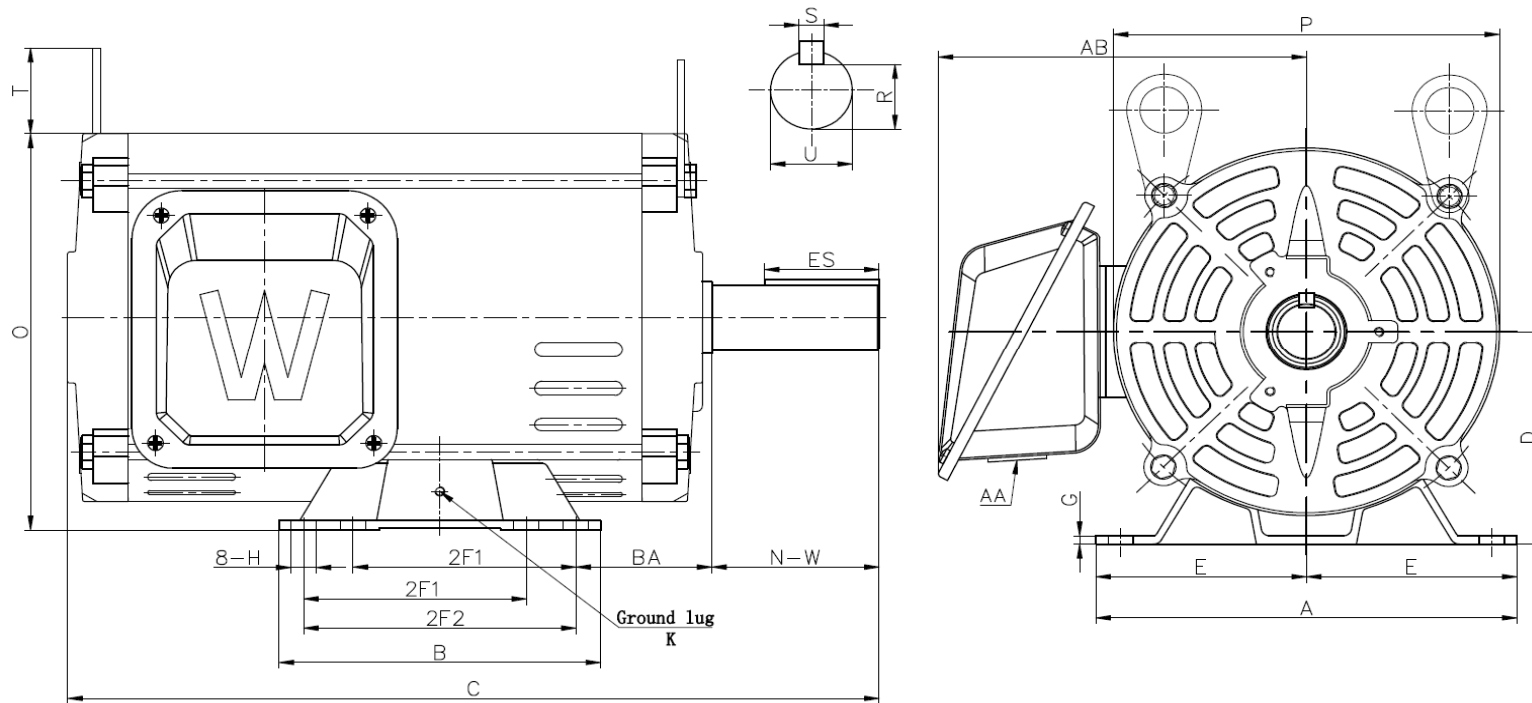
HORSEPOWER	<b>1.5</b>		
RPM / POLES	<b>1200 / 6</b>		
VOLTAGE / PHASE	<b>208 - 230 / 460 V / 3</b>		
FRAME	<b>182T</b>		
ENCLOSURE / DEGREE OF PROTECTION	<b>ODP / IP23</b>		
FREQUENCY	<b>60 HZ Suitable For 50 HZ Operation With 1.0 SF</b>		
FULL LOAD SPEED	<b>1168 RPM</b>		
SERVICE FACTOR	<b>1.15 SF 60HZ / 1.0 SF at 50HZ</b>		
INSULATION CLASS	<b>F</b>		
FULL LOAD AMPS; 230 / 460	<b>5.2 / 2.6 A</b>		
LOCKED ROTOR AMPS (STARTING); 230 / 460	<b>30.6 / 15.3 A</b>		
NO LOAD CURRENT	<b>3.6 / 1.8 A</b>		
NEMA CODE LETTER	<b>K</b>		
EFFICIENCY / POWER FACTOR	<u>LOAD</u>	<u>EFF.</u>	<u>P.F.</u>
	<b>100%</b>	<b>86.5%</b>	<b>0.62</b>
	<b>75%</b>	<b>86.2%</b>	<b>0.53</b>
	<b>50%</b>	<b>83.7%</b>	<b>0.41</b>
DUTY CYCLE	<b>S1 / Continuous</b>		
TORQUE	<u>FULL LOAD</u>	<u>LRT</u>	<u>BDT</u>
	<b>6.61 lb.ft.</b>	<b>286%</b>	<b>334%</b>
SLIP	<b>2.61%</b>		
NEMA DESIGN	<b>B</b>		
NUMBER OF STARTS (Hot / Cold)	<b>2 Hot / 3 Cold</b>		
MAX. AMBIENT TEMPERATURE	<b>40° C</b>		
MAX. ELEVATION	<b>3300 Ft. Above Sea Level</b>		
TEMPERATURE RISE (At Full Load)	<b>80° C</b>		
DE BEARING	<b>6306ZZ</b>		
ODE BEARING	<b>6305ZZ</b>		
GREASE TYPE	<b>NS7 ENS</b>		
MOUNTING	<b>F1</b>		
ROTATION	<b>Bi-Directional</b>		
APPROXIMATE WEIGHT	<b>65 lbs.</b>		
AREA CLASSIFICATION	<b>Non-Hazardous</b>		
INVERTER RATING	<b>10:1 CT / 20:1 VT PWM Type</b>		
SPECIFICATION - In Accordance With	<b>NEMA, UR</b>		





WORLDWIDE ELECTRIC MOTOR DRAWING

ODP-182T



ALL DIMENSIONS IN INCHES

MOUNTING					E	2F1	2F2	H	BA	A	B	C	D	G	K
					3.75	4.5	5.5	0.41	2.75	8.5	6.495	16.4	4.5	0.41	M5

KEYSET	KEY		R	ES	S	U	N-W	P	AB	AA	O	T
			0.986	1.78	0.25	1.125	2.75	7.72	7.551	1.09	8.4	1.6