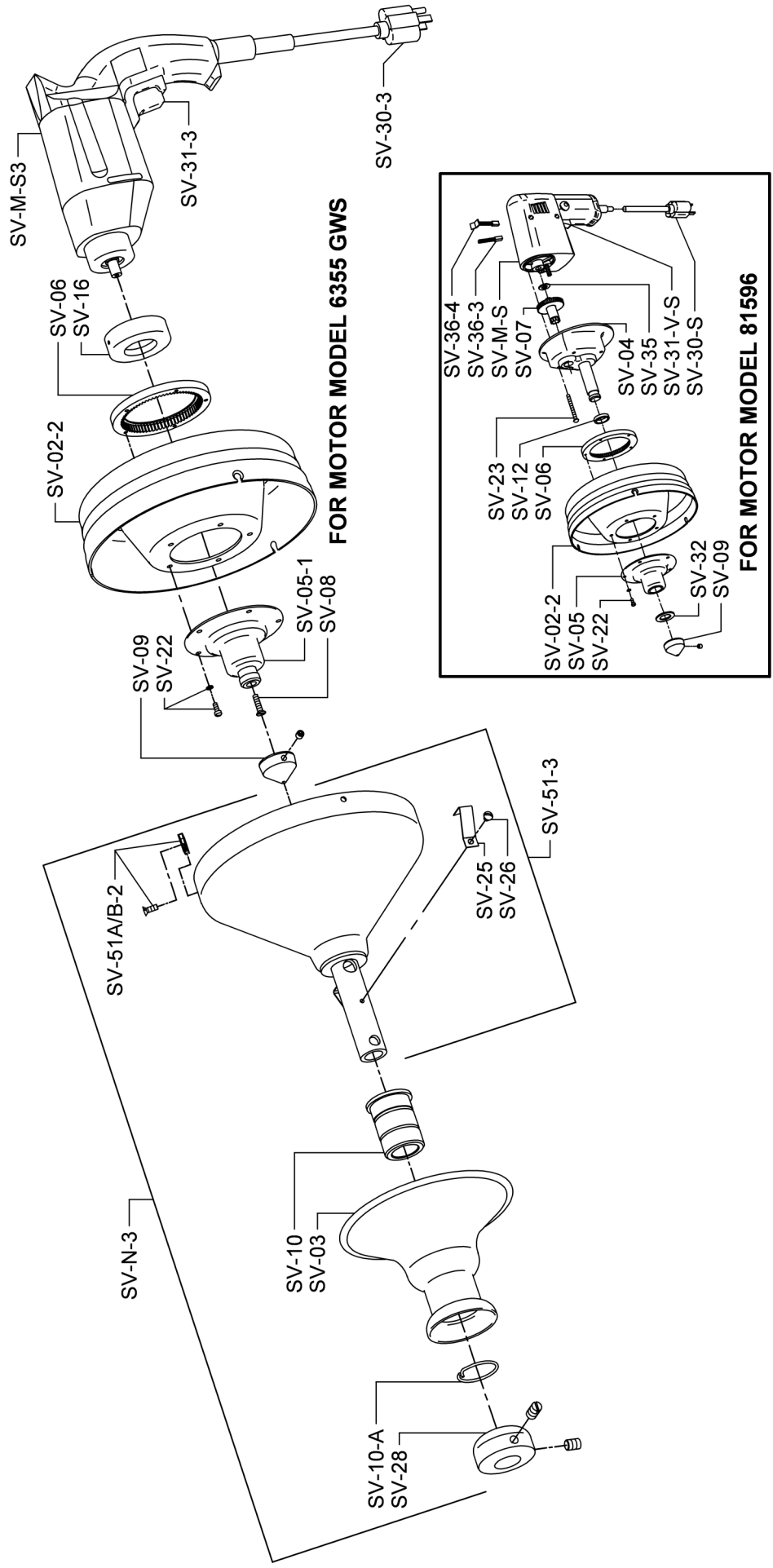


SUPER-VEE PARTS LIST

CAT. NO.	DESCRIPTION	CAT. NO.	DESCRIPTION
SV-M-S	Skil Variable Speed Motor #81596	* SV-28	Front Collar w/Set Screws
SV-M-S3	Skil Variable Speed Motor #6355-GWS	SV-30-S	Cord Set for Motor #81596
SV-M-SC12	Cordless Variable Speed Motor - Discontinued	SV-30-3	Cord Set for Motor #6355-GWS
SV-N-3	Complete Super-Vee Front Assembly	SV-30-S/220	Cord Set for 220/50 Motor
SV-51-1	Container Front - Includes SV-51-A & SV-51-B-1 (Ser. #AS19205 thru AS57101)	SV-31-V-S	Trigger Switch Assembly for Motor #81596
* SV-51-3	Container Front - Includes SV-51-A & SV-51-B-1 (Ser. #AS57102 & Up)	SV-31-3	Trigger Switch Assembly for Motor #6355-GWS
SV-51-A/B-1	Set of 3 Thumb Nuts, Bolts & Nuts (Ser. #AS19205 thru AS57101)	SV-31-V-S/200	Trigger Switch Assembly for 220/50 Motor
SV-51-A/B-2	Set of 3 "U" Nuts & Flat Head Screws (Ser. #AS57102 & Up)	SV-32	Felt Washer
SV-02-1	Container Back - Discontinued (Replace w/SV-51-3 & SV-02-2)	SV-33	Armature for Motor #81596
SV-02-2	Container Back (Use w/SV-51-3 Front Only)	SV-33-3	Armature for Motor #6355-GWS
* SV-03	Grip Shield	SV-33/220	Armature for 220/50 Motor
SV-04	Gear Case Body for Motor #81596	SV-34	Field for Motor #81596
SV-05	Gear Case Cap for Motor #81596	SV-34-3	Field for Motor #6355-GWS
SV-05-1	Container Hub for Direct Drive Unit	SV-34/220	Field for 220/50 Motor
SV-06	Internal Ring Gear	SV-35	Spacer Washer
SV-07	Pinion & Spindle Gear Assembly for Motor #81596	SV-36-3	Brush Spring & Brush (2) for Motor #81596, Type 2
SV-08	Screw for Direct Drive Unit	SV-36-4	Integral Brush, Spring, & Connector (2) for Motor #81596, Type 3
SV-09	Beveled Collar w/Set Screw	SV-36-5	Brush & Holder Set for Motor #6355-GWS
* SV-10	Spindle Sleeve (Incl. SV-10-A)	SV-36/220	Brush Spring & Brush for 220/50 Motor
SV-10-A	Spindle Sleeve Retaining Ring	SV-37	Left & Right Handle Cover Set for Motor #81596
SV-12	Spacer Washer	SV-37-3	Left & Right Handle Cover Set for Motor #6355-GWS
SV-16	Thrust Bearing for Motor #6355-GWS	SV-37-C	Set Screws & Nuts for Skil Type 2 & 3 Handle Cover
SV-22	Machine Screws w/Lock Washers (5)	SV-38	Motor Housing for Motor #81596
SV-23	Fillister Head Screws (4)	SV-39-3	Holder for Brush & Spring (2) Type 3 Motors
* SV-25	Cable Grippers (2)	B12	Battery Pack - 12 v
* SV-26	Screws w/Locktite (2)	C12	Battery Charger
		PC	Plastic Cartridge
		SV-DECAL	Set of Safety Decals
		SV-DVD	Instructional DVD
		SV-MCC	Carrying Case

*Part Number SV-N-3 Includes All * Parts.

SUPER-VEE SCHEMATIC DIAGRAM



FOR MOTOR MODEL 6355 GWS

FOR MOTOR MODEL 81596

IMPORTANT: When ordering, give Serial Number of Machine.