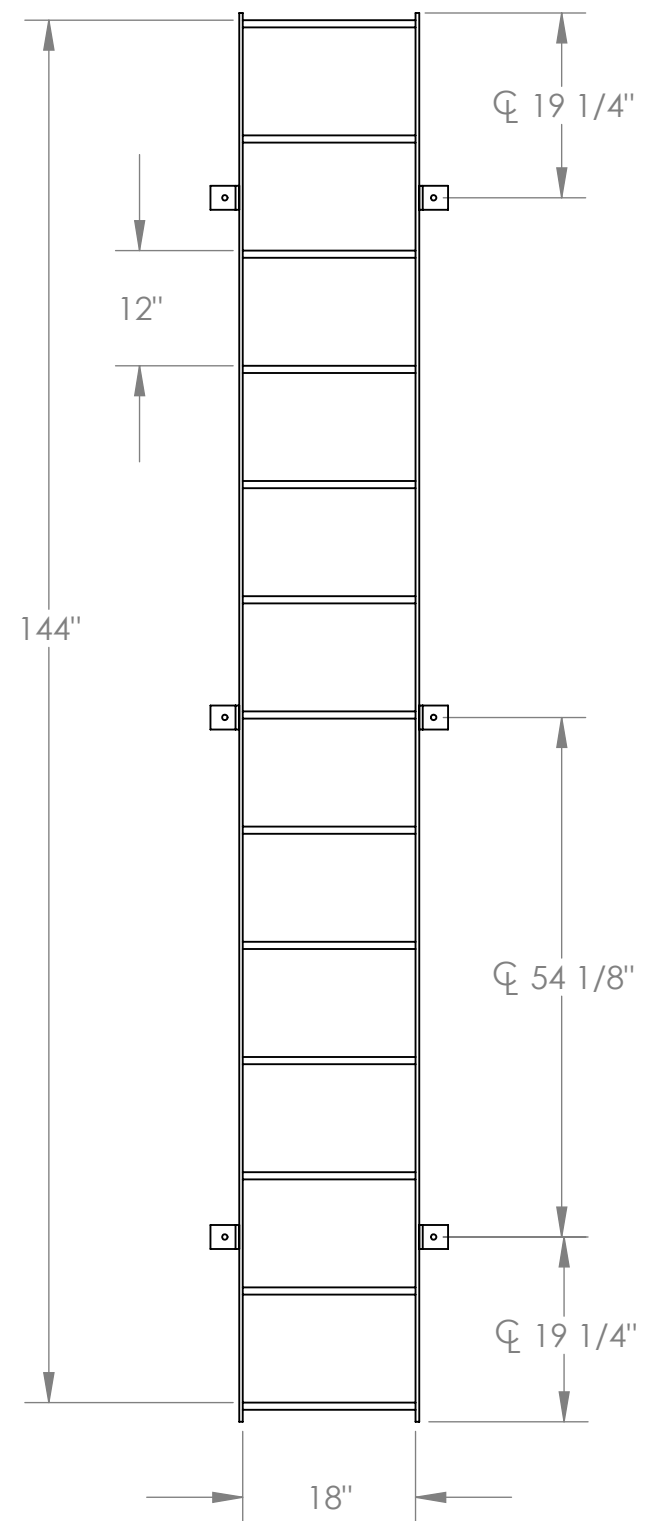
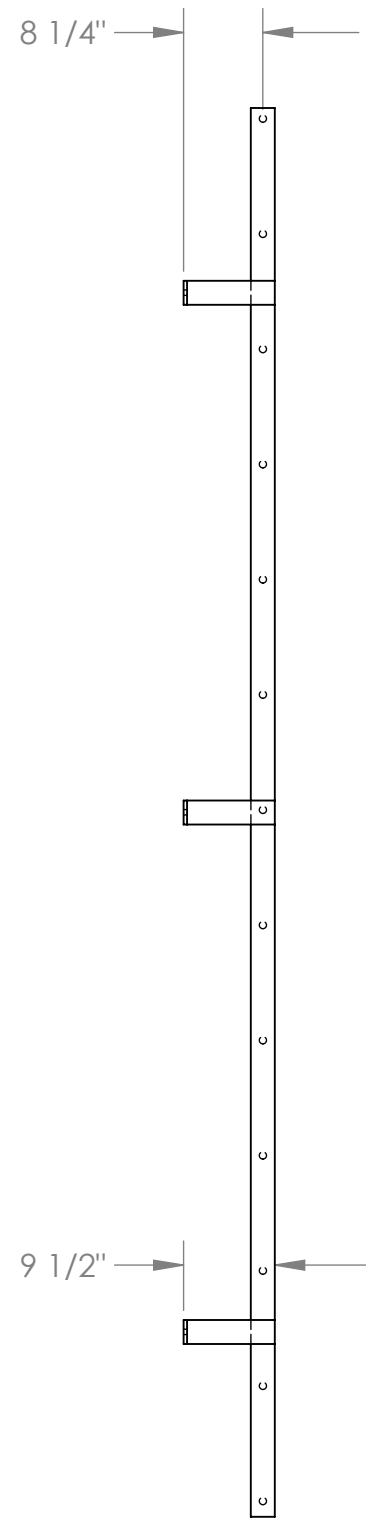


8 7 6 5 4 3 2 1

D
C
B
A



350 LB CAPACITY

3/4" REBAR RUNG

STAND-OFF BRACKET WITH 9/16" HOLE MOUNTS TO WALL.

Tri-Arc Manufacturing

APPROVAL SIGNATURE:		TITLE:		
DATE:		Fixed Ladder		
PROPRIETARY AND CONFIDENTIAL THE INFORMATION CONTAINED IN THIS DRAWING IS THE SOLE PROPERTY OF TRI-ARC MANUFACTURING. ANY REPRODUCTION IN PART OR AS A WHOLE WITHOUT THE WRITTEN PERMISSION OF TRI-ARC MANUFACTURING IS PROHIBITED.	LEAD TIME		SIZE	REV
	MATERIAL Plain Carbon Steel		B	DWG. NO. WLFS0113
FINISH Gray	DO NOT SCALE DRAWING		SCALE: 1:20	WEIGHT: 34
		DRAWN	J.A.L.	6/2/16
				SHEET 1 OF 1

8 7 6 5 4 3 2 1