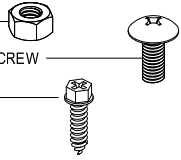


CONTENTS

REF.	QTY.	DESCRIPTION
1	3	LEG
2	2	STRINGER
3	1	TOP
H1	12	M6 NYLON LOCK NUT
H2	12	M6 x .625 PHILLIPS PAN HEAD SCREW
H3	18	10mm hex washer head screw
	1	7/32 DRILL BIT

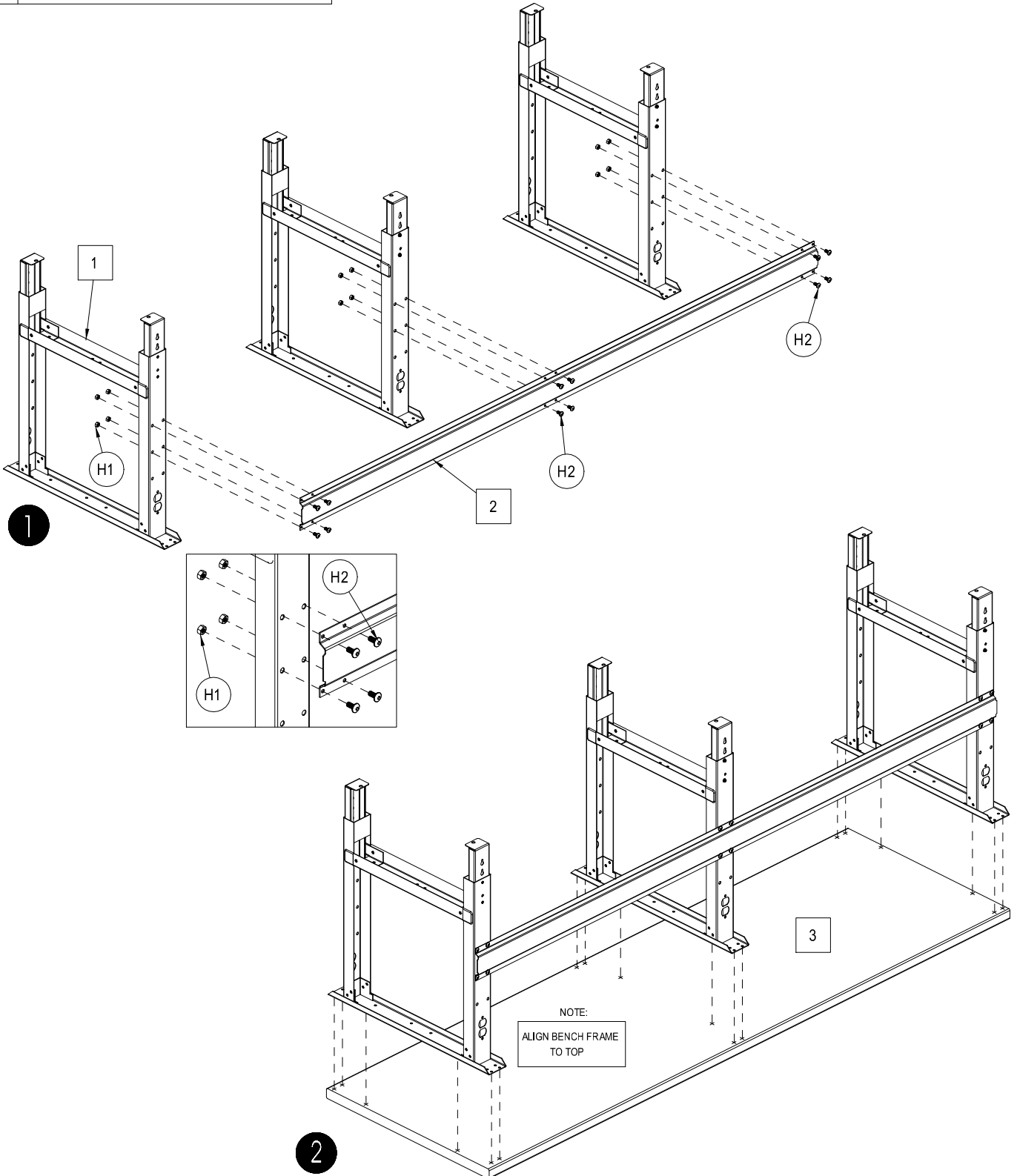
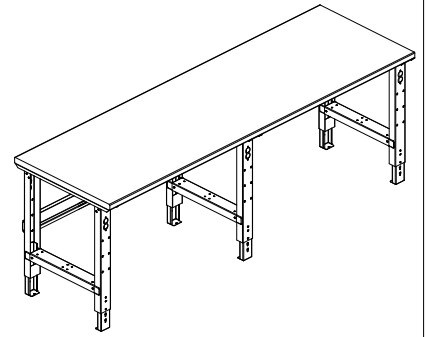


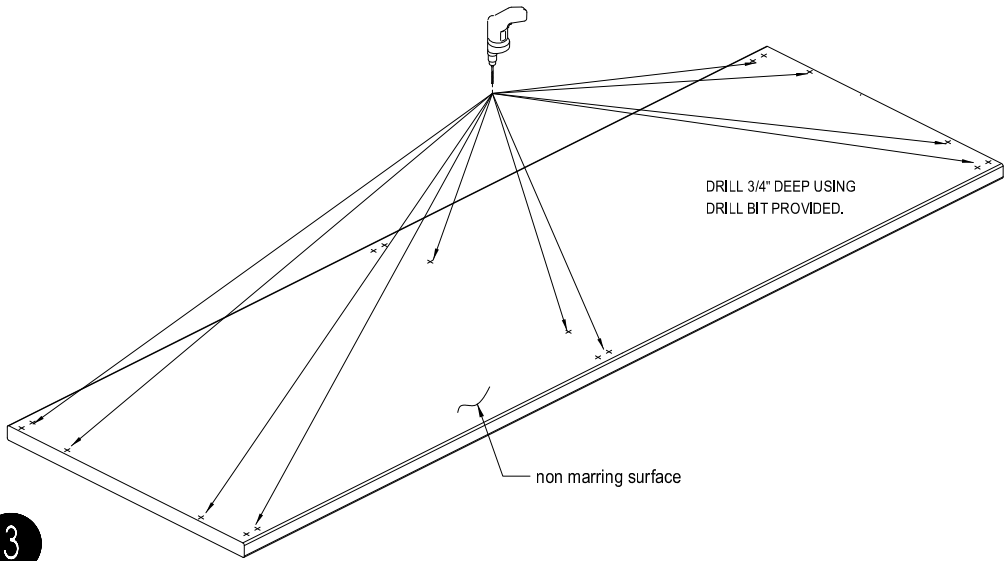
www.globalindustrial.com

1-800-645-2986

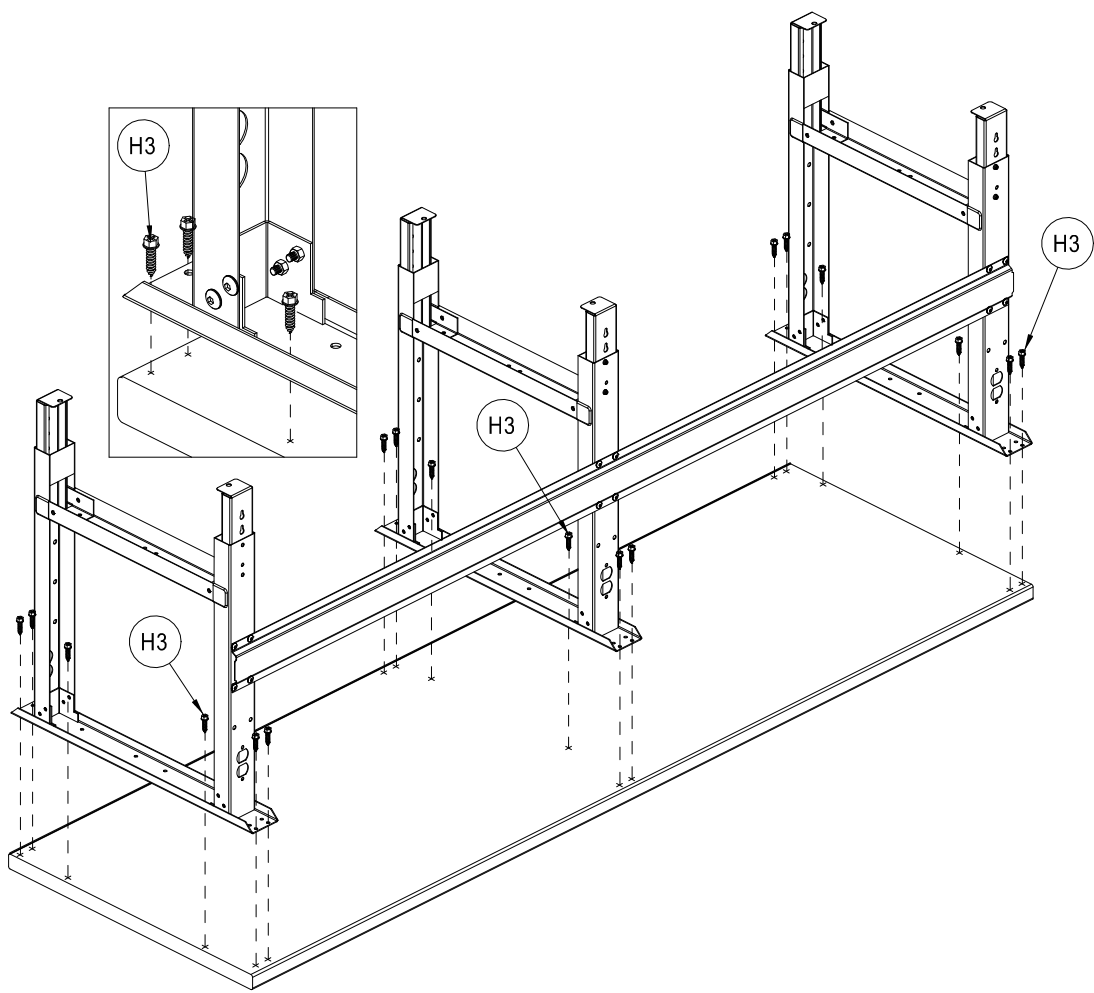
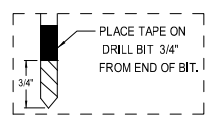
ASSEMBLE INSTRUCTION

96" ADJUSTABLE LEG MOD. # 706442





3



4