

User's manual

Manual del usuario

Manuel de l'utilisateur

Customer Service
US: 1-800-645-2986

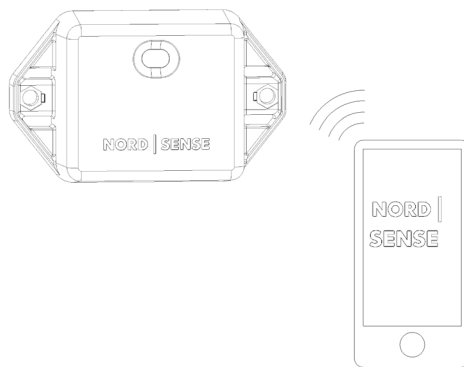
Servicio de atención al Cliente
US: 1-800-645-2986

Service à la clientèle
Canada: 888-645-2986

Global Industrial; Angle Bracket for TrashTalk™ Enabled Trash Cans w/ Steel Dome Lid

Model: 641607

1. Activate your Trash Talk Sensor using a smart phone. Follow the instructions on the Activation Flyer to successfully activate your device.

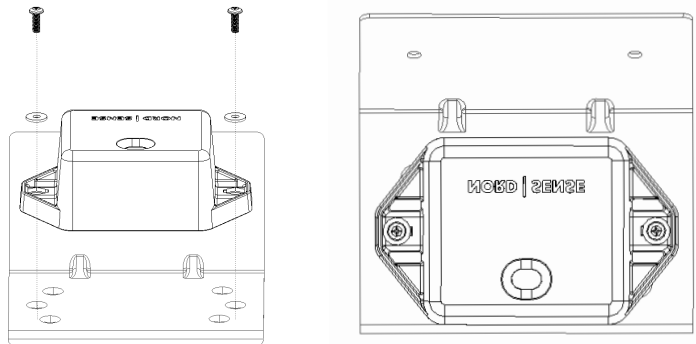


For use with
Global Industrial
Trash Cans
Model Numbers:
261944BKT/GNT
261945BKT/GNT
261946BLT
261947BLT
261948BKT/RDT/
GYT/BLT/GNT
261962BLT

NOTE:

The Sensor must be activated on-site where it will be installed. During the activation process, the location will be recorded.

2. On the side that has six holes, use the screws and washers to attach the Sensor to the Bracket. Use only the holes in the middle row. Be sure to attach the side with the sensor away from the angle of the bracket. Follow the diagrams.



3. Peel the tape cover off the back of the Bracket. Be sure to leave the tape itself on; only peel the cover. Adhere the bracket to the flat bracket on the dome of the trash receptacle as shown in the diagrams.

