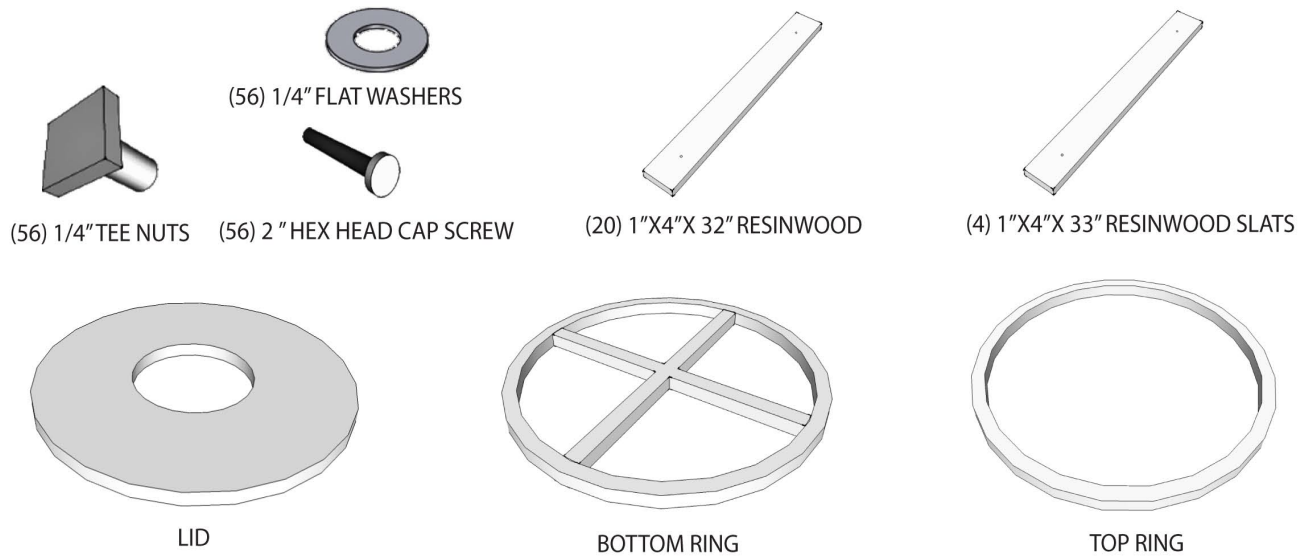
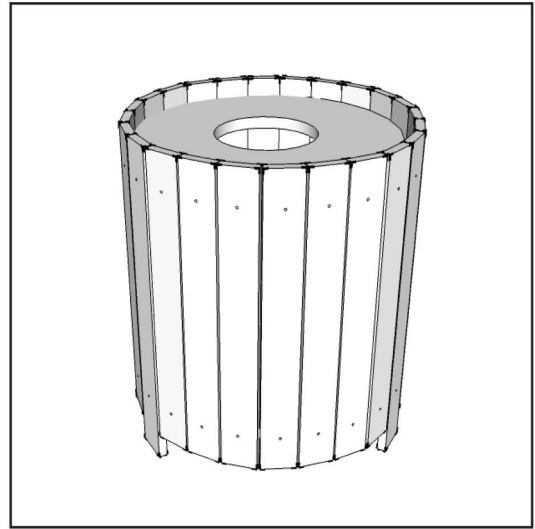




#641321CD

Global Industrial™ 32 Gallon Recycled Plastic Receptacle Round, Cedar

TOOLS REQUIRED: 7/16" SOCKET
DRILL OR SCREW GUN



INSTRUCTIONS

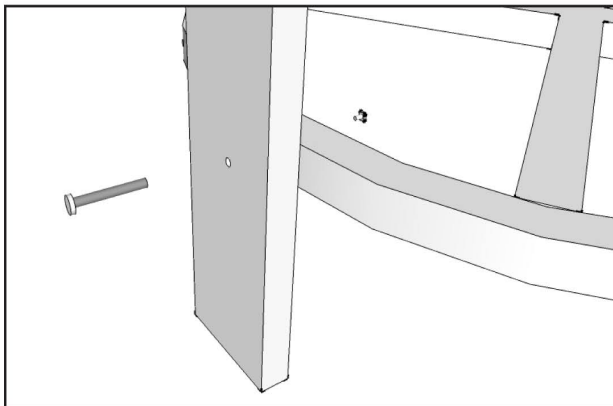


ILLUSTRATION A

1. Check parts list to verify all materials are included.
Before starting, keep in mind that four of the Resinwood slats are longer than the rest to lift the can off the ground. These must be evenly spaced apart with shorter slats between them.
2. Take the bottom plastic ring and begin with one of the longer Resinwood slats. Place the slat on the outside of the ring. Place a bolt through the slat then through the pre-drilled holes in the bottom plastic ring. (Illustration "A")

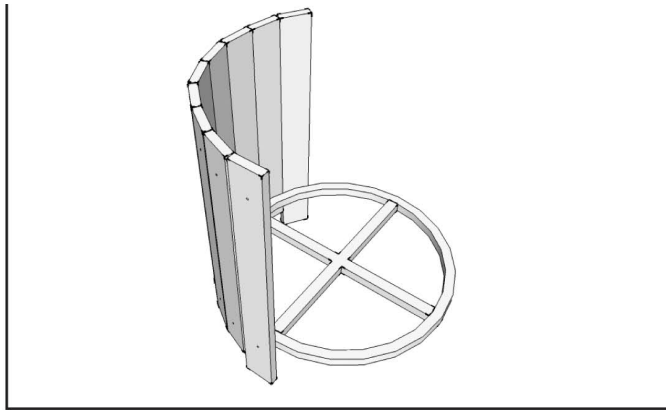


ILLUSTRATION B

3. Take a tee nut and line it up with the hole (prongs facing into the inside of the bottom plastic ring) and tighten. You will fasten 5 of the shorter boards then fasten another long one. (Illustration "B")

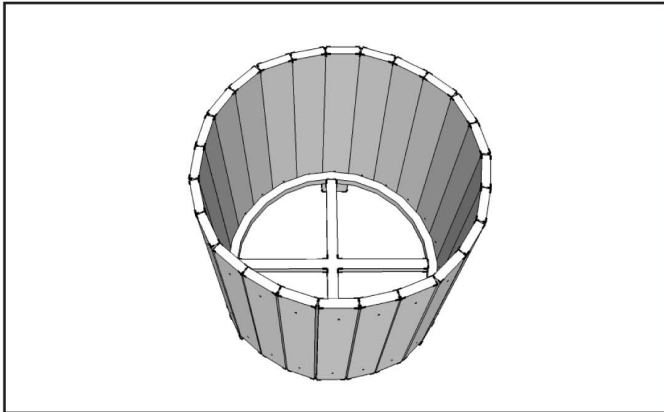


ILLUSTRATION C

4. Repeat this process with each board until all boards have been attached to the bottom ring. Do not over-tighten as you still must attach the boards to the top ring. (Illustration "C")

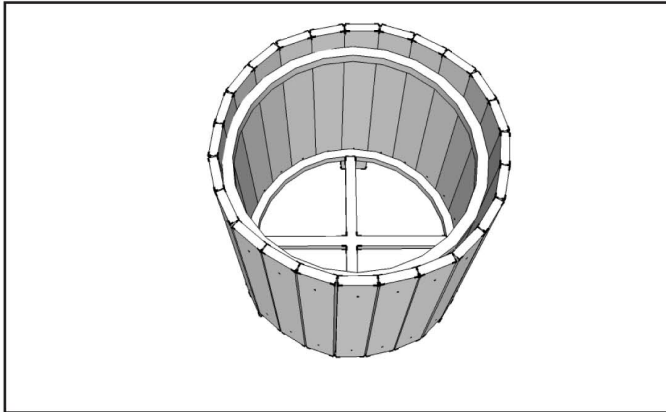


ILLUSTRATION D

5. Using the same directions listed in steps 2 and 3, line up the top plastic ring with the slats and repeat the process until all boards have been attached to the top ring. You may now tighten all bolts remembering to make sure the can is put together evenly. (Illustration "D")

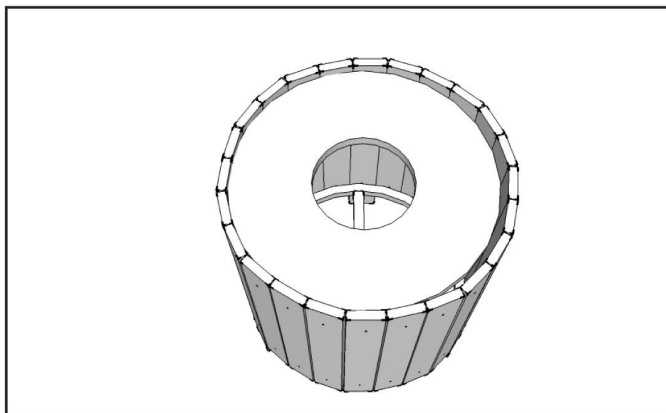


ILLUSTRATION E

6. Place a liner (not included) inside the can and place the plastic lid on top. (Illustration "E")