

CONTENTS

REF.	QTY.	DESCRIPTION
1	1	RIGHT SIDE TRACK SUPPORT
2	1	LEFT SIDE TRACK SUPPORT
3	1	RIGHT TRACK
4	1	LEFT TRACK
5	1	DESK TOP
6	1	RIGHT BRACKET
7	1	LEFT BRACKET
8	1	PIGEON HOLE ORGINIZER

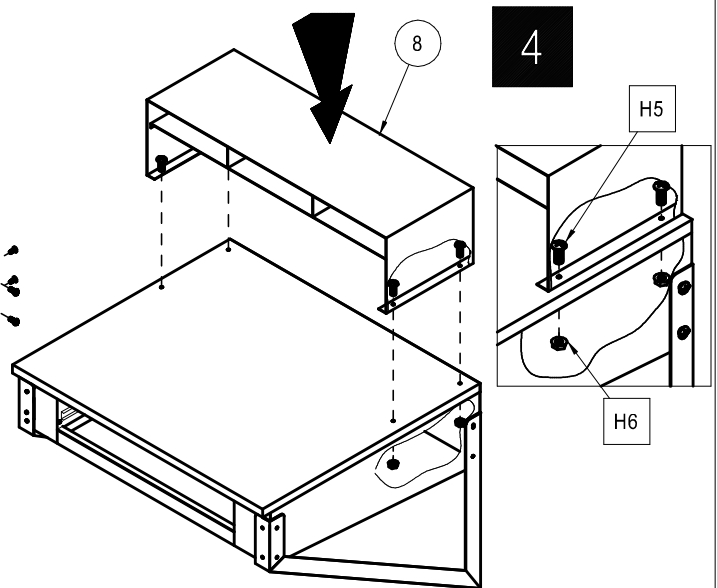
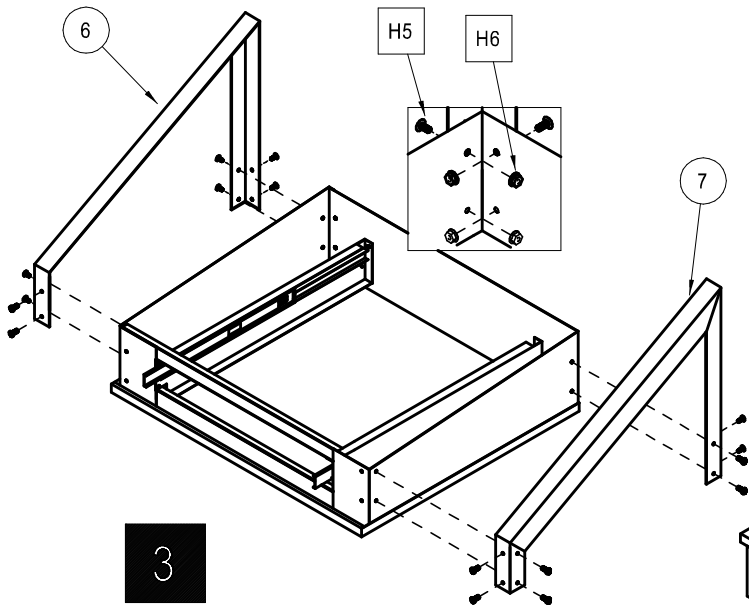
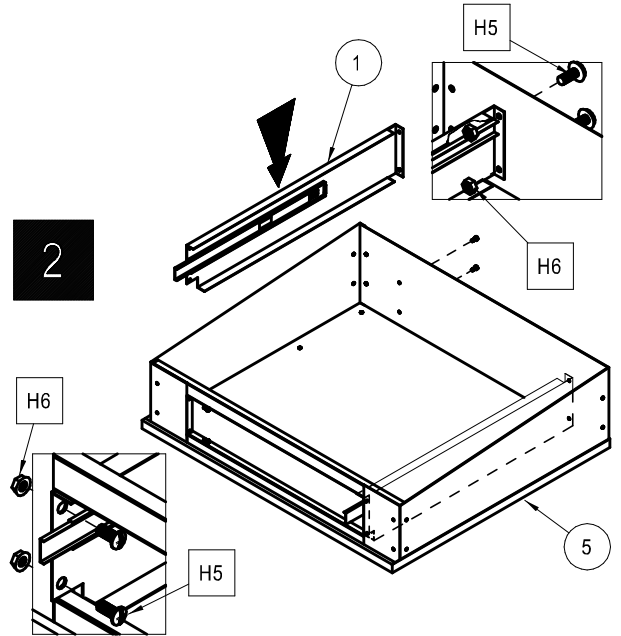
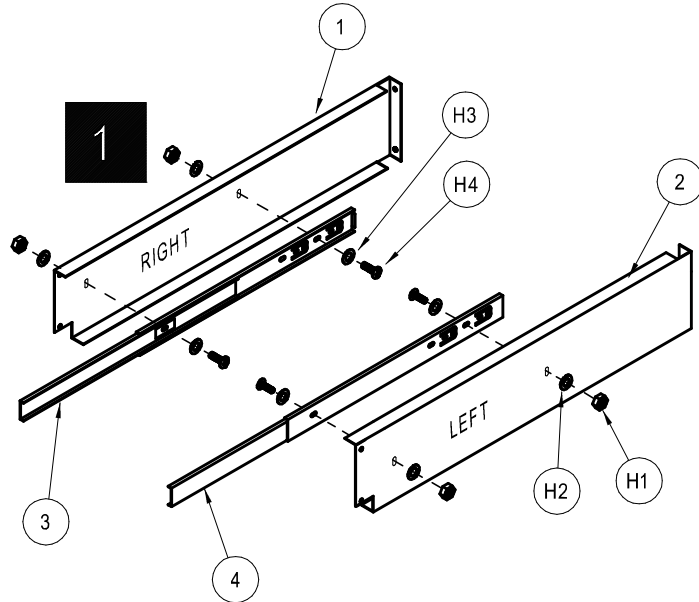


www.globalindustrial.com
1-800-645-2986

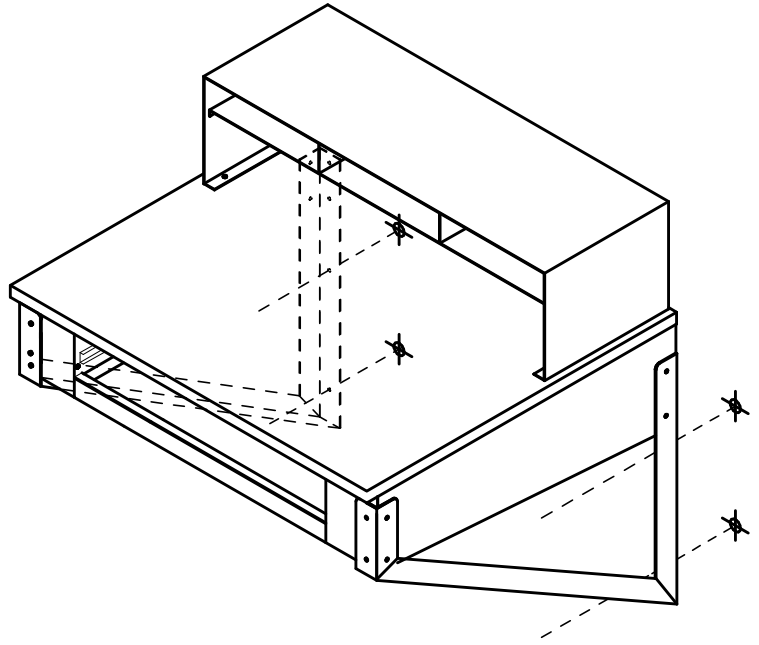
WALL MOUNT SHOP DESK
ASSEMBLY INSTRUCTION

CONTENTS

REF.	QTY.	DESCRIPTION
H1	4	
H2	4	
H3	4	
H4	4	
H5	28	
H6	28	



5



MOUNTING HARDWARE
NOT SUPPLY BY GLOBAL

6

