

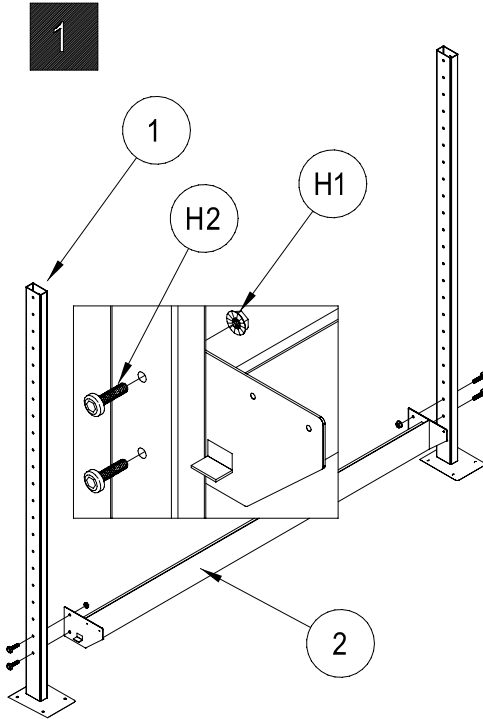


www.globalindustrial.com

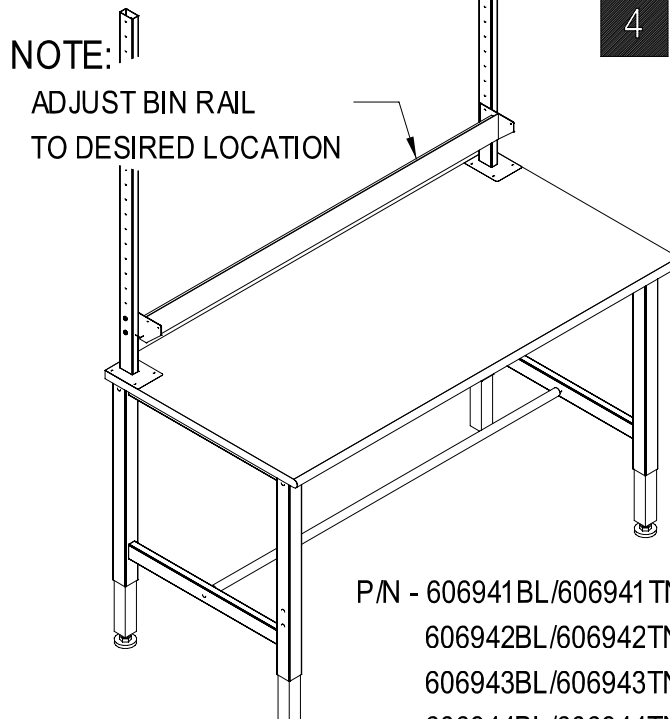
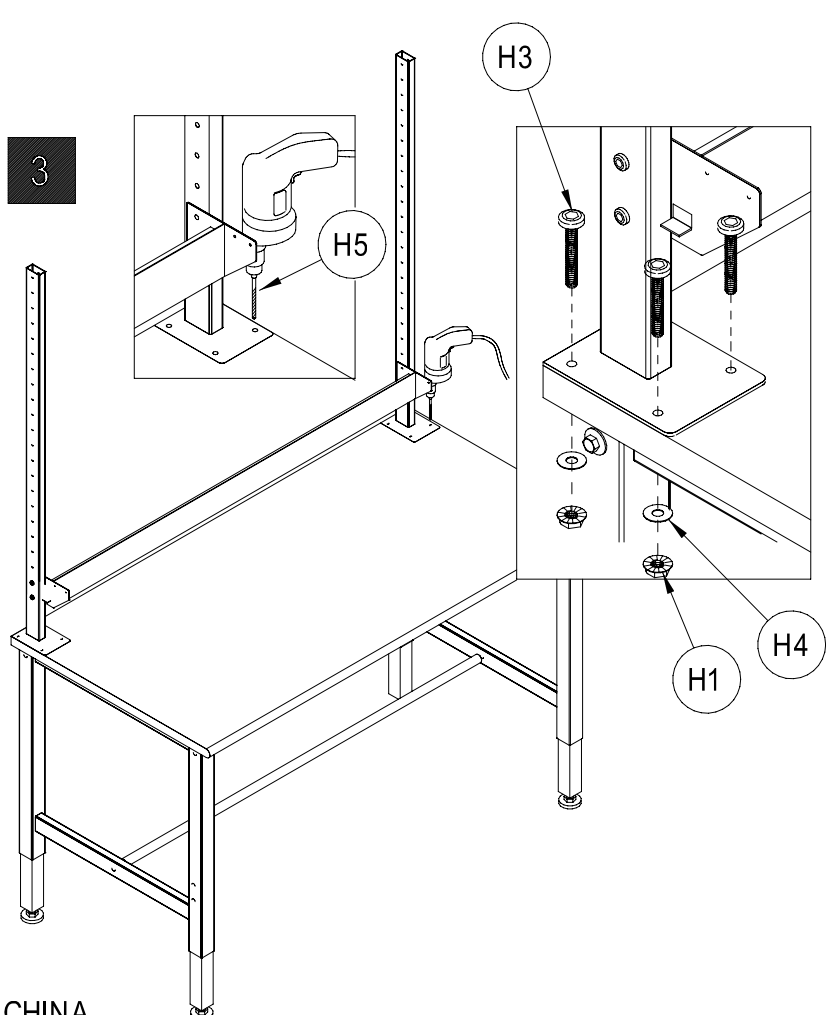
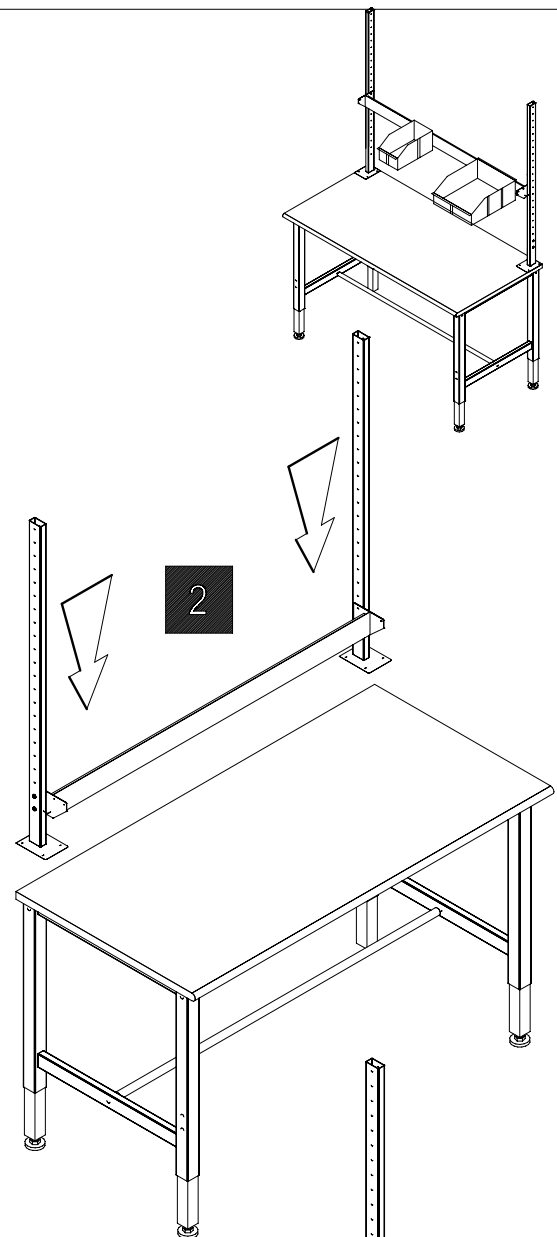
1-800-645-2986

# OPTIONAL BIN RAIL

## ASSEMBLY INSTRUCTION



CONTENTS		
REF.	QTY.	DESCRIPTION
1	2	UPRIGHT
2	2	BIN RAIL
H1	12	
H2	4	
H3	8	
H4	8	
H5	1	
1	1	



**NOTE:**  
ADJUST BIN RAIL  
TO DESIRED LOCATION

P/N - 606941BL/606941TN  
606942BL/606942TN  
606943BL/606943TN  
606944BL/606944TN