
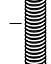

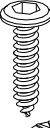


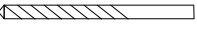
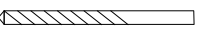
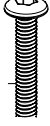


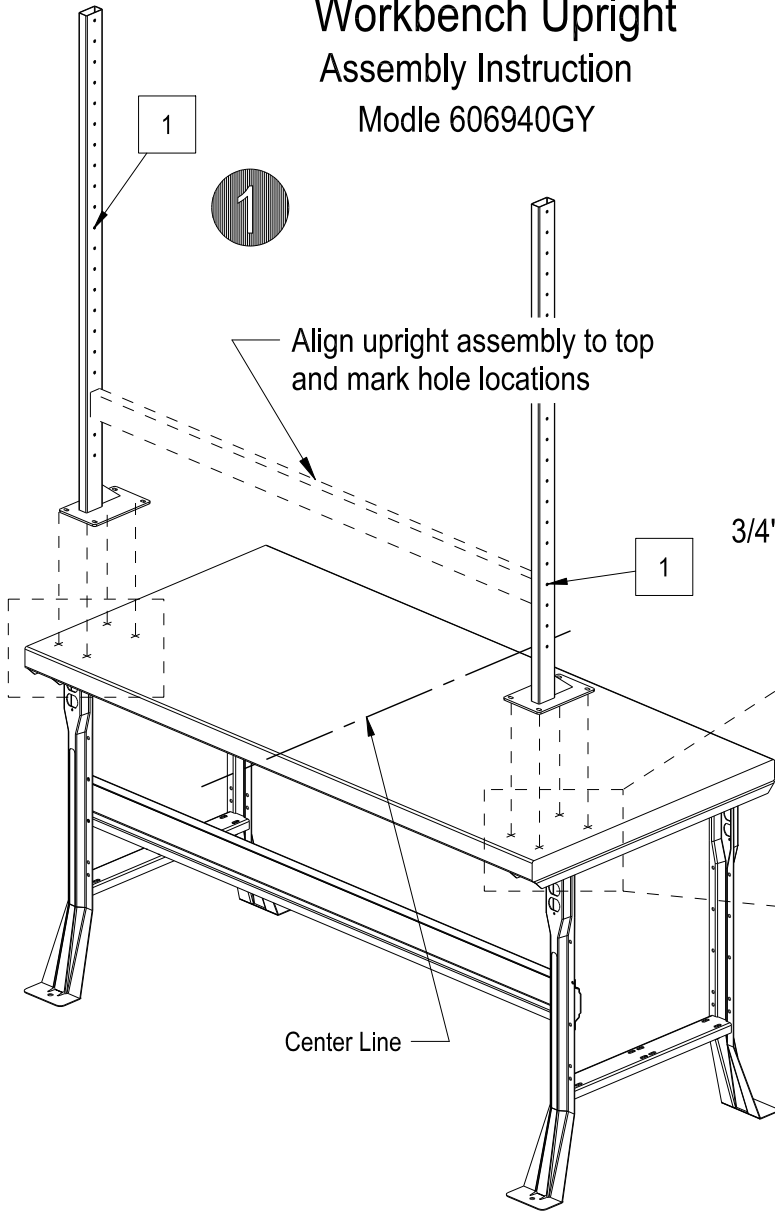
Workbench Upright

Assembly Instruction

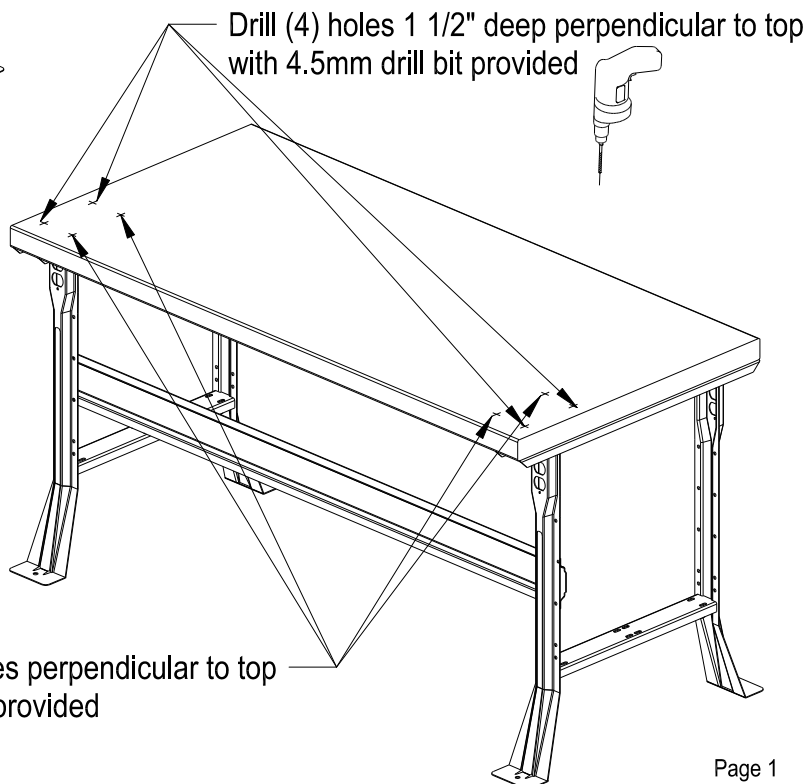
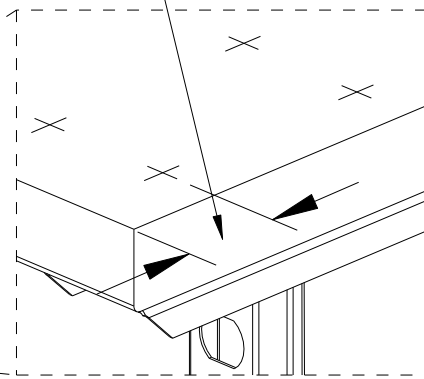
Modle 606940GY

Contents

Ref.	Qty.	Description
1	2	Upright 
H1	8	1/4-20 x 2 1/2" Lg. Socket Screw 
H2	8	Plain Washer 
H3	4	#16 x 1 1/2" Lg. Flange Socket Wood Screw 
H4	8	1/4-20 Serrated Flange Hex Nut 
1	1	Hex Key 
1	1	4.5mm Drill Bit 
1	1	6.5mm Drill Bit 
8	8	1/4-20 x 2" Lg. Socket Screw 



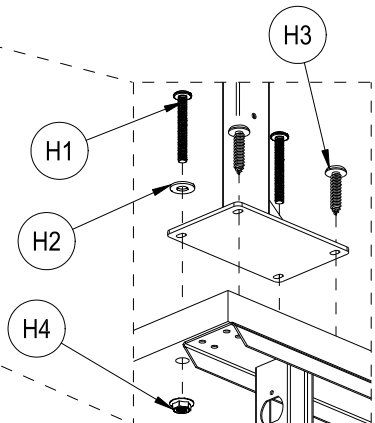
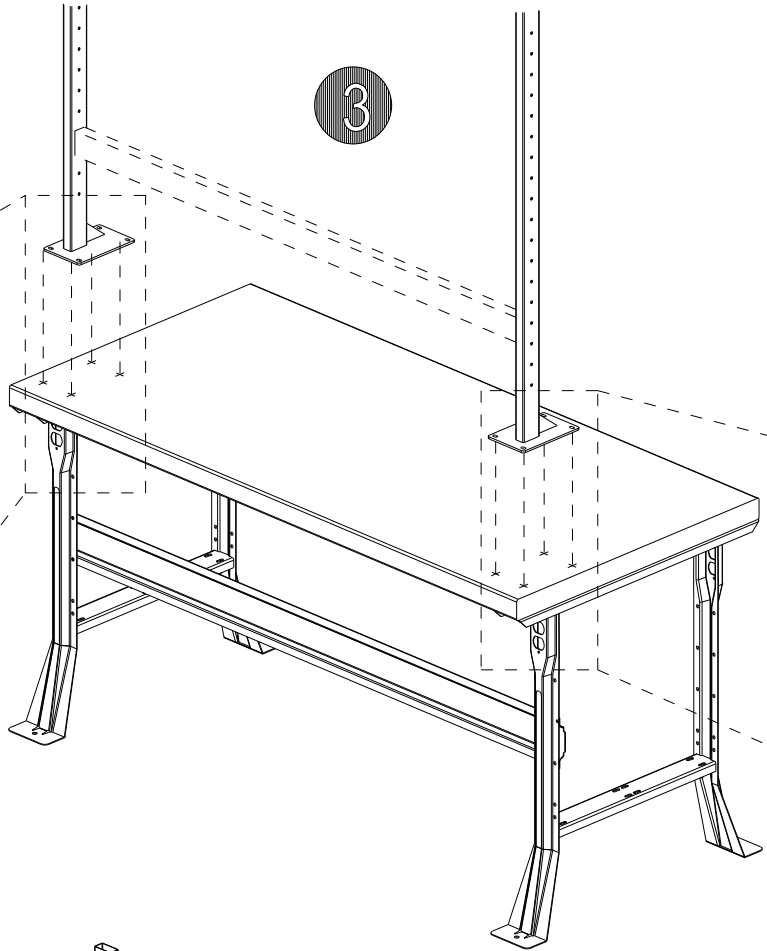
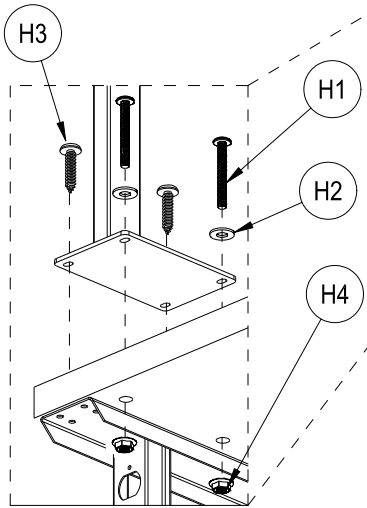
3/4" Away from back edge



▲ WARNING ▲

- Do not climb on, under or through bench.
- Do not use if any parts of bench are broken or damaged.
- Inspect and tighten hardware every six months.
- Replace rusted hardware and damaged components.
- Assembly and installation of equipment should be performed by 2 people.

3



4

