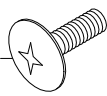

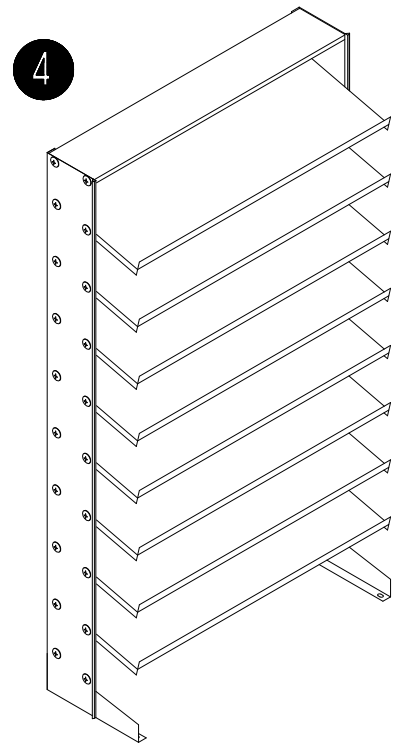
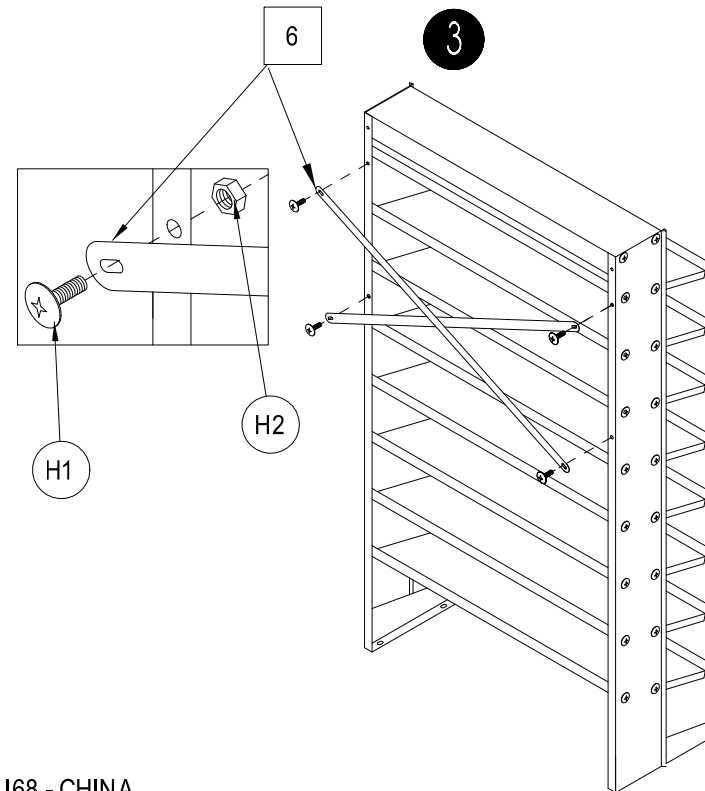
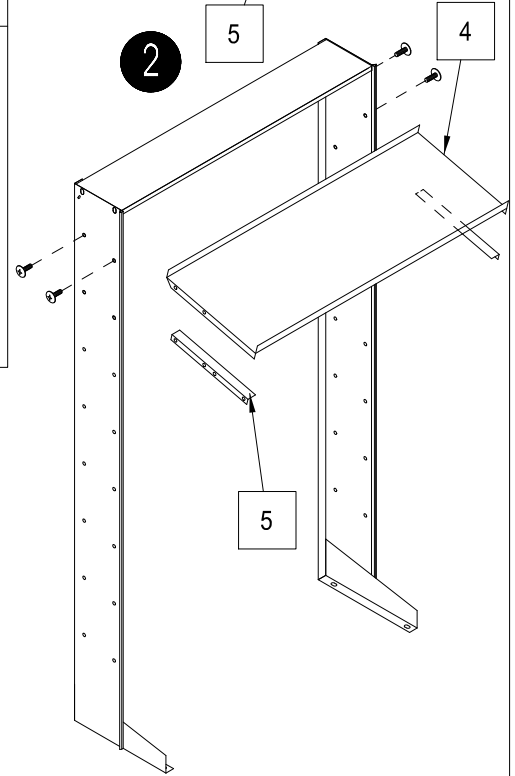
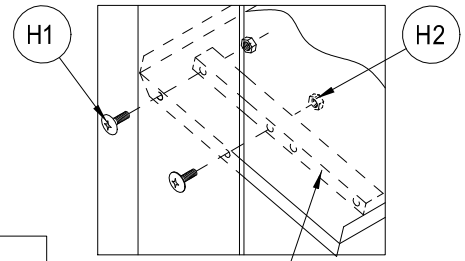
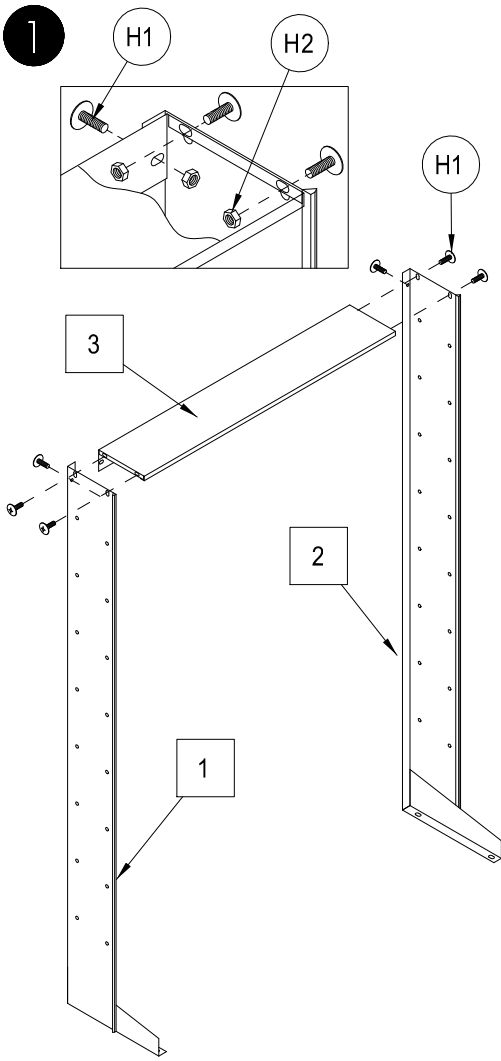


**STEEL PICK RACK
FLOOR RACK**
ASSEMBLY INSTRUCTION

CONTENTS		
REF.	QTY.	DESCRIPTION
1	1	— LEFT LEG
2	1	— RIGHT LEG
3	1	— TOP
4	8	— SHELF
5	16	— SUPPORT BRACKET
6	2	— SUPPORT BRACE
H1	46	1/4-20 Phillips Screw 
H2	46	1/4-20 Hex Nut 






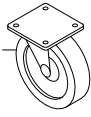

www.globalindustrial.com
1-800-645-1232

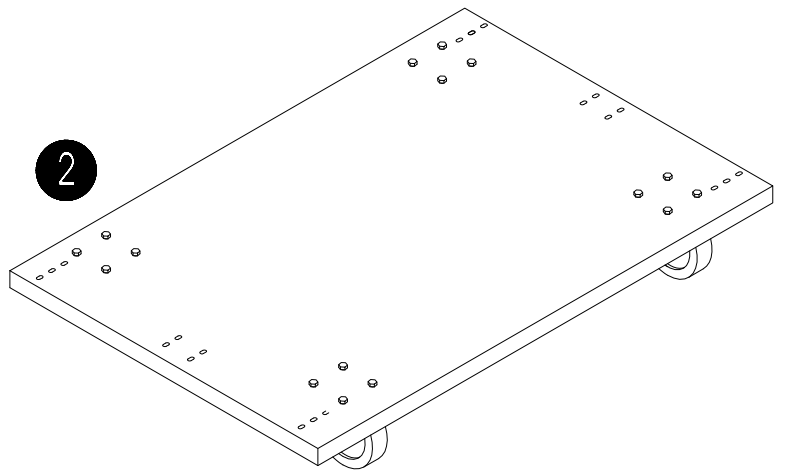
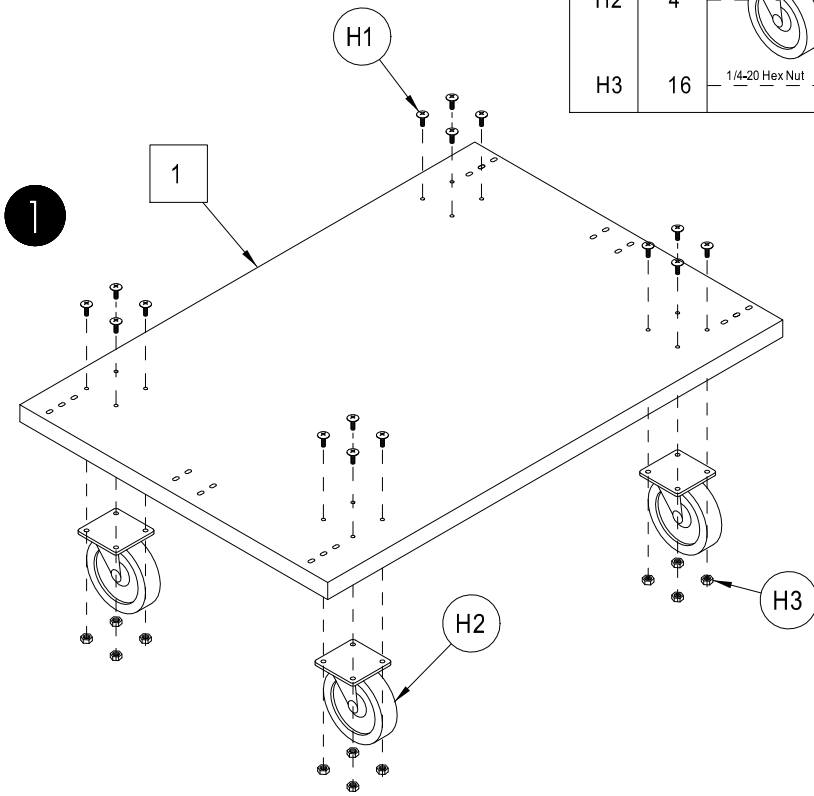
STEEL BIN RACK

MOBILE BASE

ASSEMBLY INSTRUCTION

CONTENTS

REF:	QTY.	DESCRIPTION
1	1	BASE
H1	16	1/4-20 Phillips Screw 
H2	4	
H3	16	1/4-20 Hex Nut 






www.globalindustrial.com

1-800-645-1232

PICK RACK

DOUBLE SIDED MOBILE RACK

ASSEMBLY INSTRUCTION

CONTENTS		
REF.	QTY.	DESCRIPTION
H1	8	1/4-20 Phillips Screw 
H2	8	1/4-20 Hex Nut 