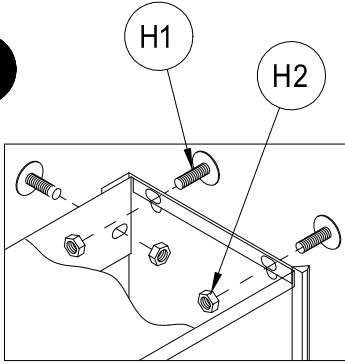


**STEEL PICK RACK  
BENCH RACK**

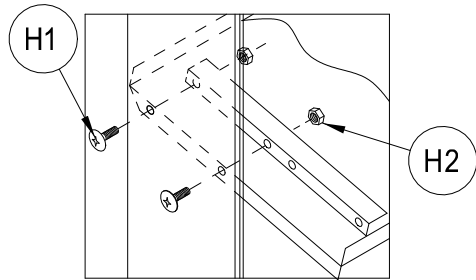
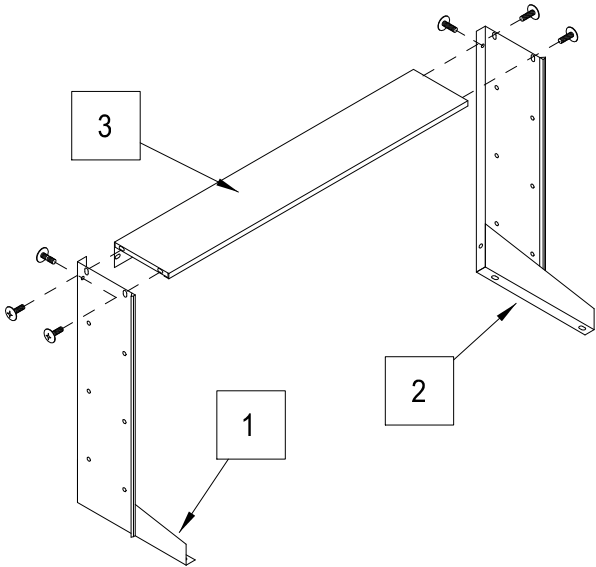
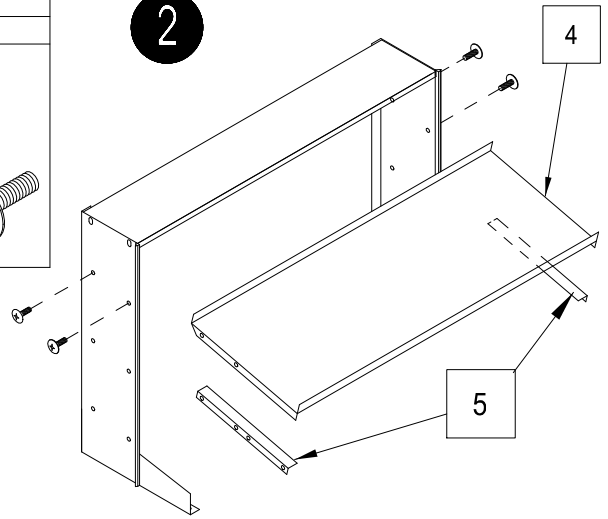
ASSEMBLY INSTRUCTION

CONTENTS		
REF.	QTY.	DESCRIPTION
1	1	- LEFT LEG
2	1	- RIGHT LEG
3	1	- TOP
4	3	- SHELF
5	2	- SUPPORT BRACKET
6	1	- SUPPORT BRACE
H1	20	- 1/4-20 Phillips Screw
H2	20	- 1/4-20 Hex Nut

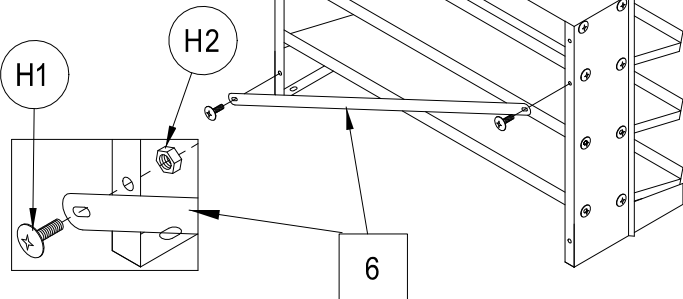
**1**



**2**



**3**



**4**

