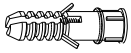



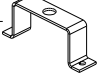


CONTENTS

REF.	QTY.	DESCRIPTION
1	1	LIGHT FIXTURE
H1	2	Anchor 
H2	2	Fixed Base 
H3	2	#4 x 1.25 Lg. Phillips Pan Head Screw 
H4	2	Cable Gripper 
H5	2	Steel Cable
H6	2	Mounting Bracket 



www.globalindustrial.com

US: 888-628-3466

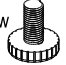




Canada: 888-645-2986

Mexico: 01.800.681.6940

CEILING MOUNT LIGHT FIXTURE LED SHOP LIGHT

MODEL 501694 / 501695 / 501696

ASSEMBLY INSTRUCTION

CONTENTS		
REF.	QTY.	DESCRIPTION
H7	2	M4 x .7 x 6mm Thumb Screw 
H8	4	M3 x .5 x 6mm Lg. Phillips Pan Head Screw 
H9	2	L-Bracket 
H10	2	M4 x .7 Hex Bolt 
H11	2	M4 x .7 x 6mm Lg. Phillips Pan Head Screw 

SAVE FOR FUTURE REFERENCE

Note: When using electrical appliances, please follow these basic precautions to reduce the risk of fire, electric shock, and personal injury or property damage.

GENERAL SAFETY INFORMATION

-Operate the unit from a power source of equal voltage, frequency, and rating as indicated on the product identification plate.

-Do not install this product on damp, moist, or newly plastered surfaces.

-Fixture LEDs are not replaceable.

-DO NOT INSTALL DAMAGED PRODUCTS!

- Installation, service, and maintenance should be performed by a qualified licensed electrician.

-This unit must be plugged into grounded outlet.

-Do not operate unit if cord/plug has been dropped or damaged in any manner.

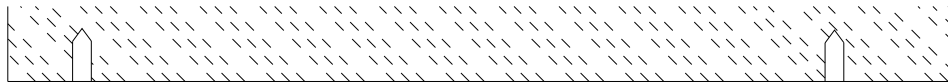
-To reduce the risk of electric shock, do not expose unit or power cord to moisture.

-The use of attachments or accessories is not recommended or intended for use with product.

-This unit is not intended for hazardous locations.

-Do not attempt to dismantle the unit.

- Turn off power and unplug prior to performing any maintenance.



1

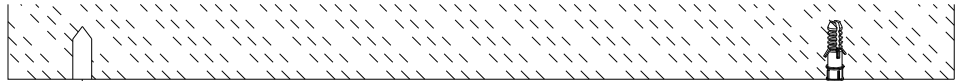
Drill (2) 6mm holes in ceiling as shown.

See hole spacing for X dimension.



Model #	501694	501695	501696
Length	48"	60"	72"
Rating	100-277/35Watt/60HZ	100-277/35Watt/60HZ	100-277/35Watt/60HZ
Lumen	3850	4375	4375
Color Temp	4000K	4000K	4000K
Beam angle	110	110	110
Cord	8ft grounded cordset	8ft grounded cordset	8ft grounded cordset
On/Off switch	Pull String	Pull String	Pull String
X hole spacing	43" (1092mm)	57" (1447mm)	69" (1752mm)

2



H1

Insert plastic anchors flush to ceiling



H3 Attach cable gripper to plastic anchors as shown

H2

3

4



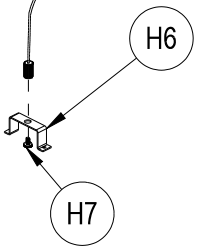
H4

H5

Thread loose end of cable through opening as shown

5

Attach bracket to cable end using hardware provided

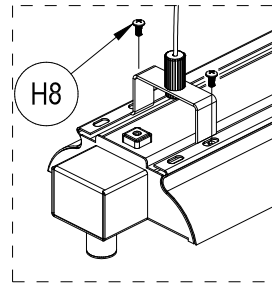
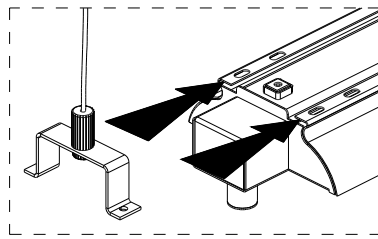


6

Insert brackets into groove opening and secure with screws provided

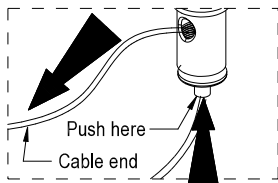
AC Power Cable

Switch Cable



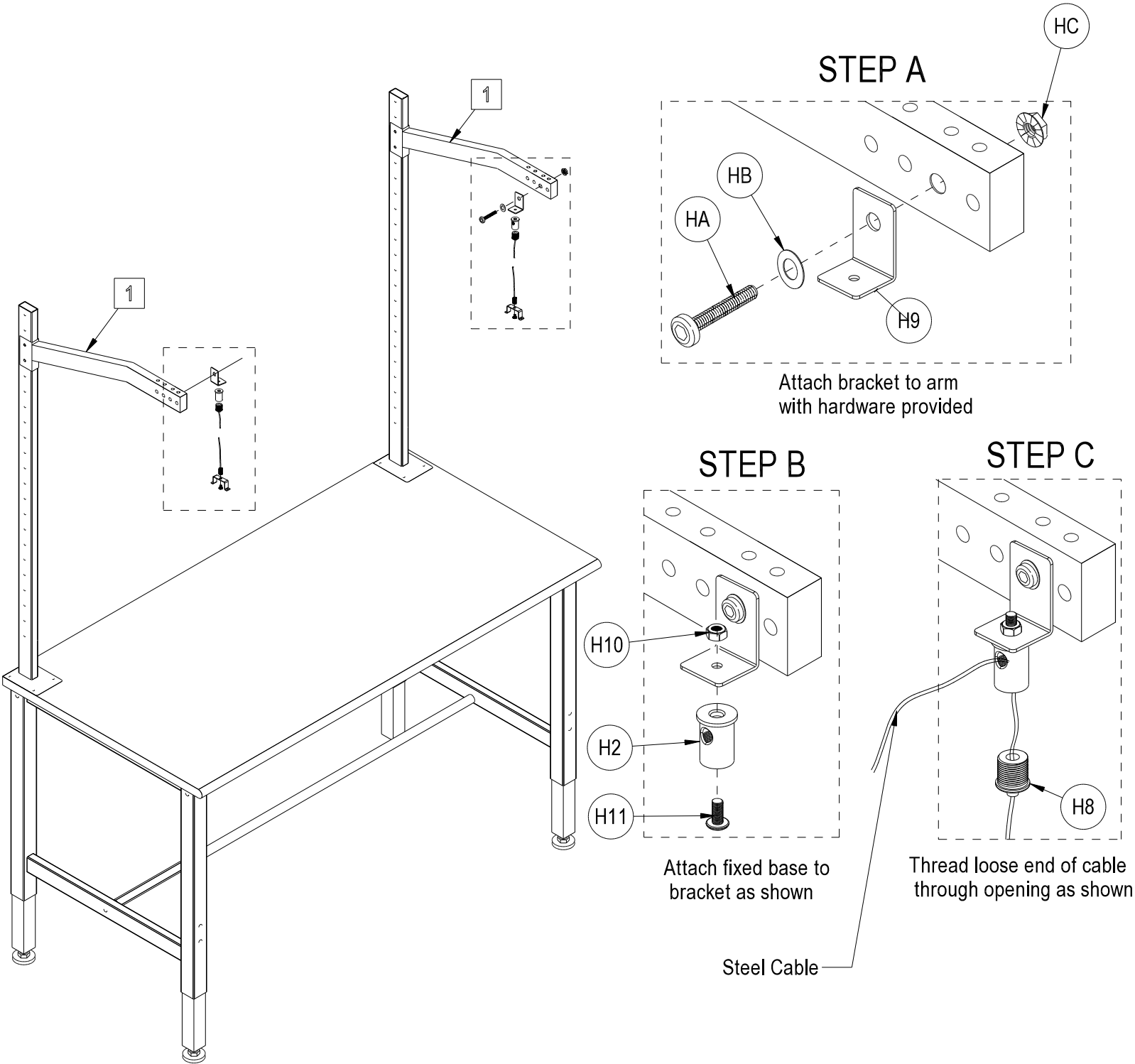
7

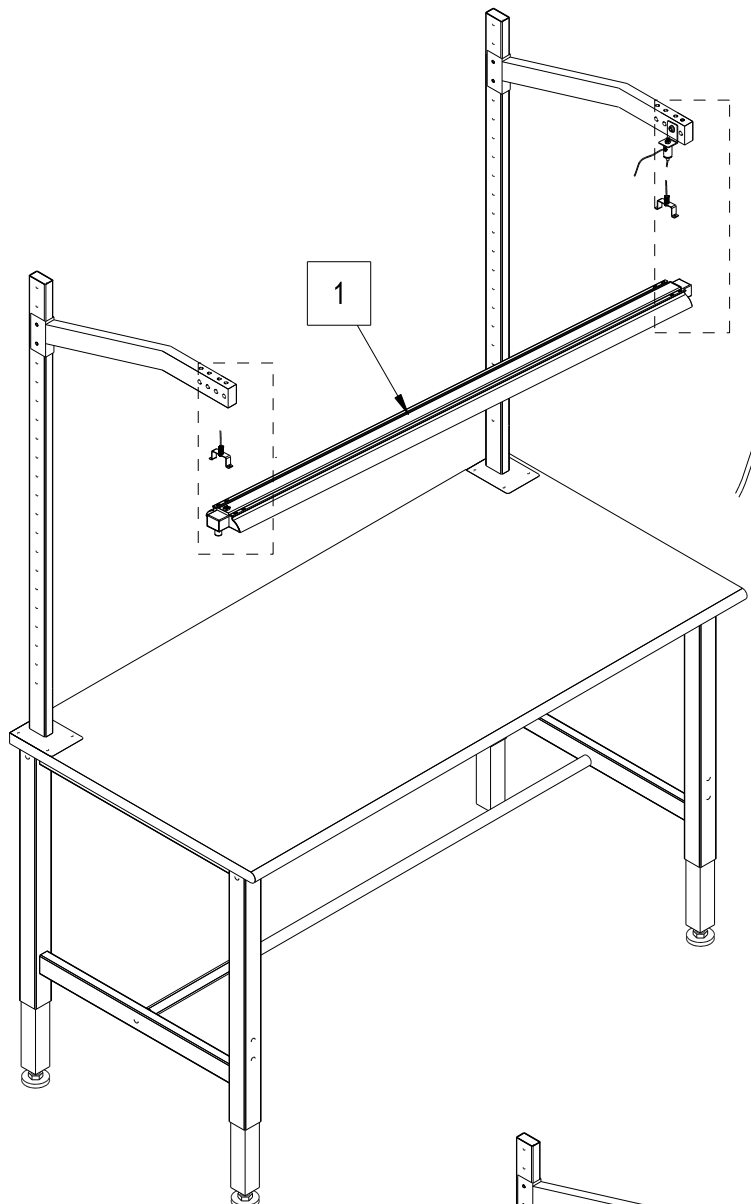
Push the tip of the gripper up gently and pull down on cable end



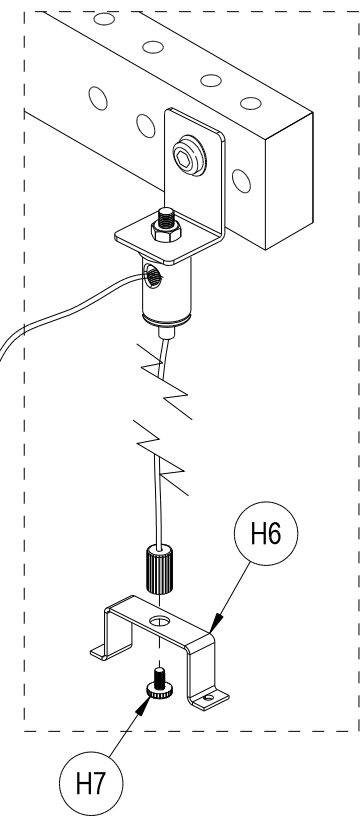
CONTENTS		
REF.	QTY.	DESCRIPTION
1	2	ARM
HA	2	M6 x 1.0 x 35mm Lg. Hex Socket Screw
HB	2	Plain Washer
HC	2	M6 Hex Flange Nut

PRODUCTION WORK BENCH
 OPTIONAL LIGHT FIXTURE
 MODEL 607269A / 607270A / 607271A
 ASSEMBLY INSTRUCTION

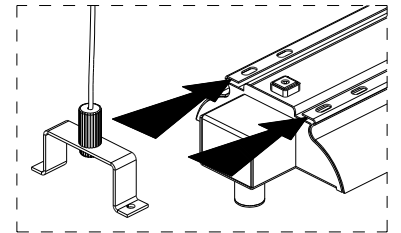




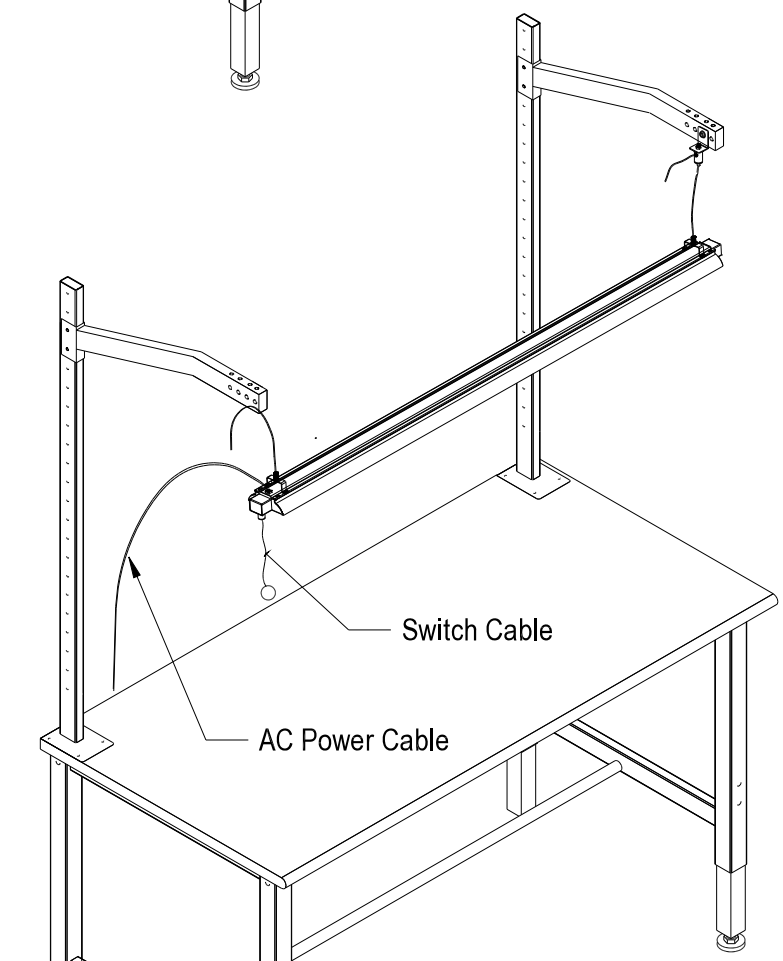
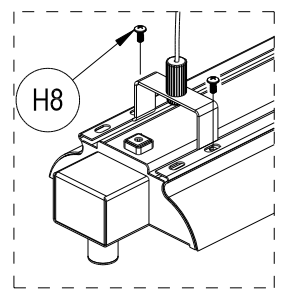
STEP D



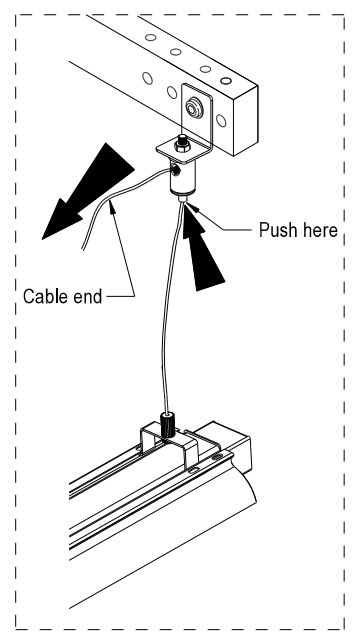
STEP E



Insert brackets into groove opening and secure with screws provided



STEP F



TO ADJUST CABLE LENGTH
Push the tip of the gripper up gently and pull down on cable end