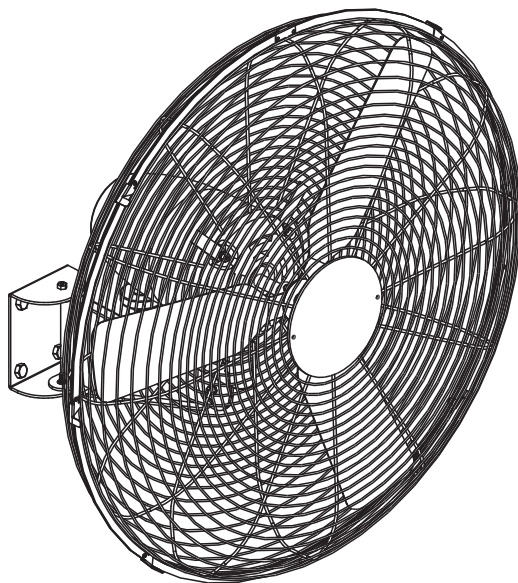


## INDUSTRIAL WALL FAN

**MODELS**  
**258321 / 258322**  
**607050 / 607051**



### READ & SAVE THESE INSTRUCTIONS

#### ⚠ WARNING ⚠

**• TO REDUCE THE RISK OF FIRE, ELECTRIC SHOCK, OR INJURY TO PERSONS, OBSERVE THE FOLLOWING:**

- This product contains chemicals which are known to the state of California to cause birth defects or other reproductive harm.
- Read and follow all instructions before operating the product. Do not use the product if any part is damaged or missing.
- Do not alter the product's assembly.
- All electrical connections should be made by a qualified electrician. Installation work and electrical wiring must be done by qualified person(s) following all local electrical and safety codes in the United States and Canada, as well as the National Electrical Code (NEC) and the Occupational Safety and Health Act (OSHA) in the United States, and the Canadian Electric Code (CEC) in Canada.
- Use OSHA approved lock-out tag-out devices on power supply to prevent shock and/or electrocution.
- When cutting or drilling into wall, do not damage electrical wiring and other hidden utilities.

- To reduce the risk of fire or electrical shock, do not expose to water or rain.
- To reduce the risk of fire or electrical shock, do not use this product with any solid state speed control device.
- To reduce the risk of fire or electrical shock, do not use an extension cord, unit is intended to be permanently hard wired to properly rated electrical service outlet (120V 60Hz).
- To reduce the risk of injury to persons, install product at least 7 feet (2.1m) above the floor (8 feet in Canada).
- Automatically operated device - To reduce the risk of injury, disconnect from power supply before servicing.

#### **RULES FOR SAFE OPERATION:**

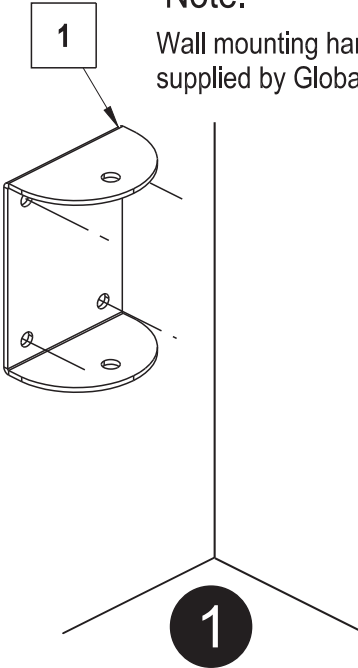
1. Never insert fingers or any other objects through the grill guard when product is in operation.
2. If the power supply cord is damaged, contact your local service centre or a qualified electrician to install an appropriate replacement cord to prevent any injury or damage.
3. Disconnect the product from its power source when removing guards for cleaning.

4. Do not use the product in windows. Rain and moisture may create electrical hazard.
5. Disconnect the fan from its power source when removing guards for cleaning.
6. This product is for indoor dry applications.
7. This product should not be operated outside.
8. The appliance does not apply to be used in locations where special conditions prevail, such as the presence of a corrosive or explosive atmosphere ( dust, vapor or gas ).
9. This appliance is not intended for use by persons (including children) with reduced physical, sensory or mental capabilities, or lack of experience and knowledge, unless they have been given supervision or instruction concerning use of the appliance by a person responsible for their safety.
10. Children should be supervised to ensure that they do not play with the appliance.

# INDUSTRIAL WALL FAN

## Note:

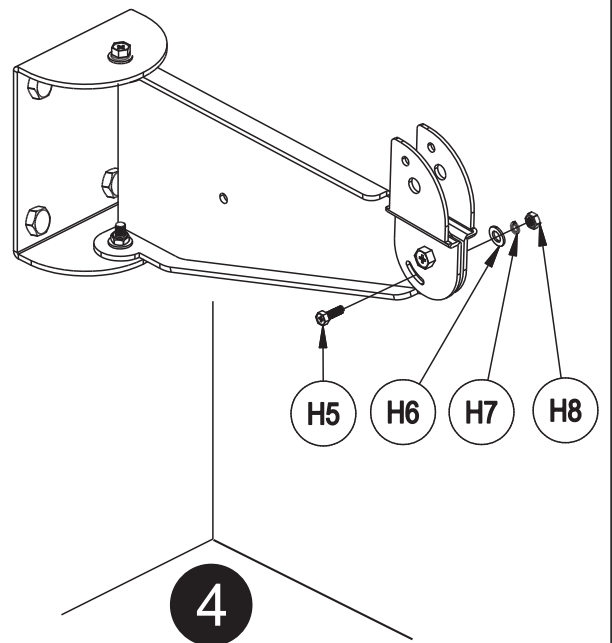
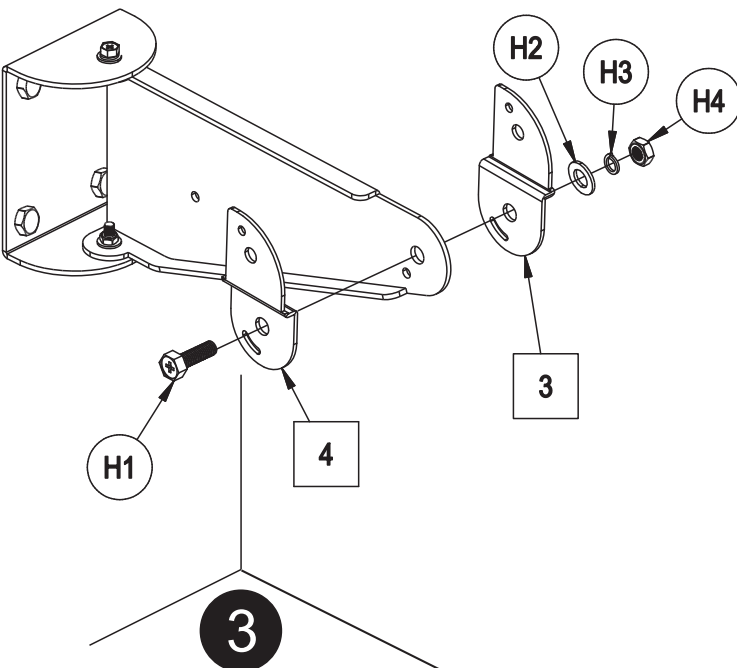
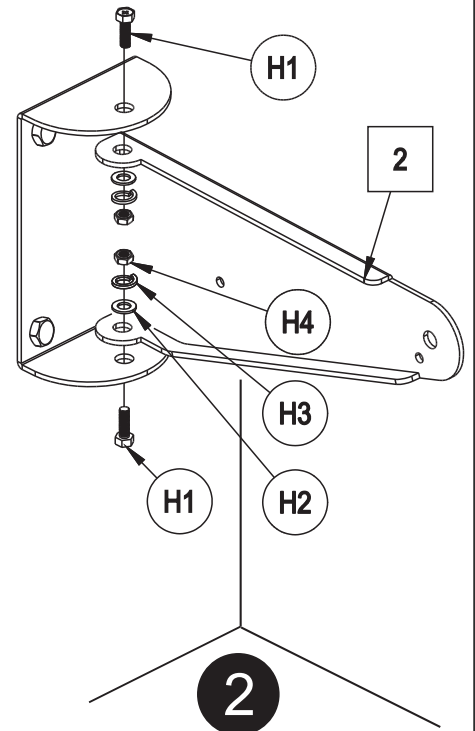
Wall mounting hardware NOT supplied by Global.



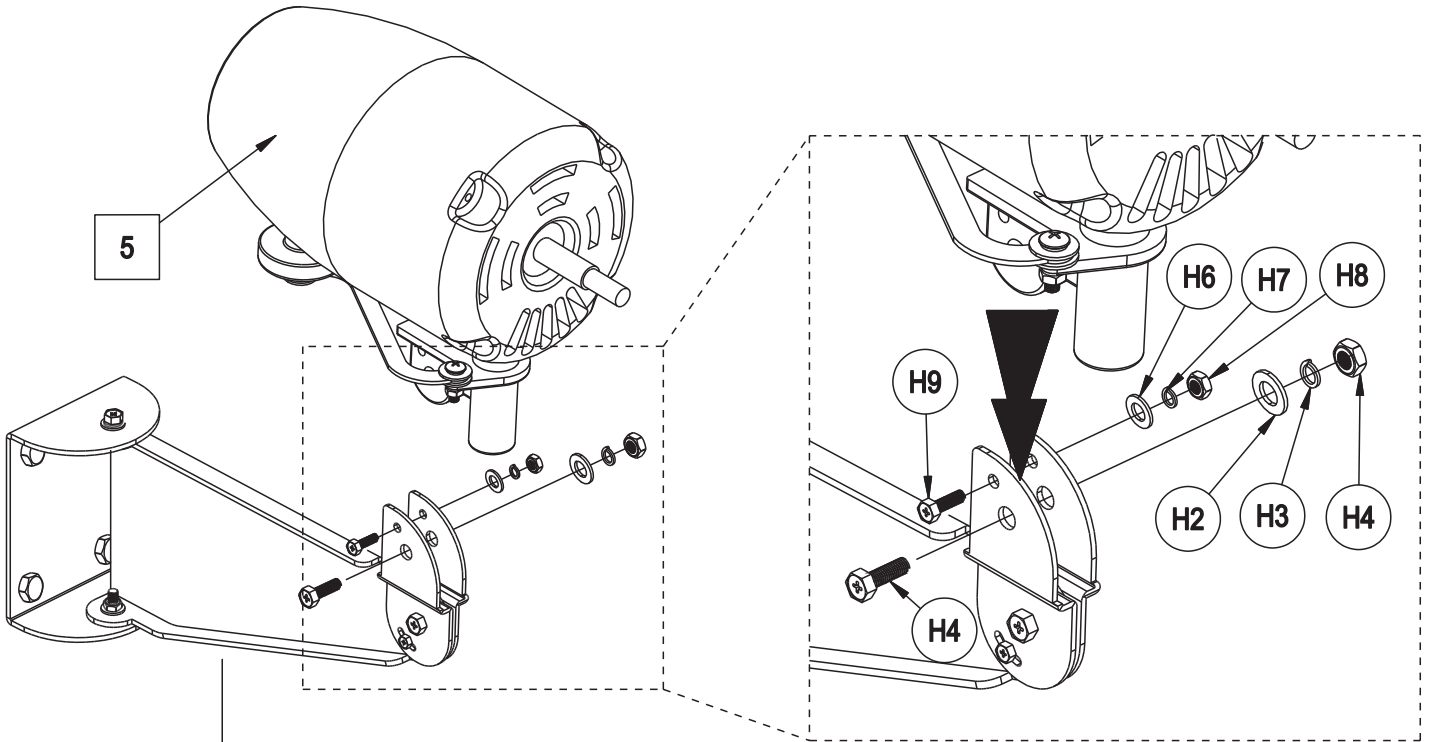
## CAUTION.

Before assembling fan to mounting bracket make certain that the bracket support wall can support fan.

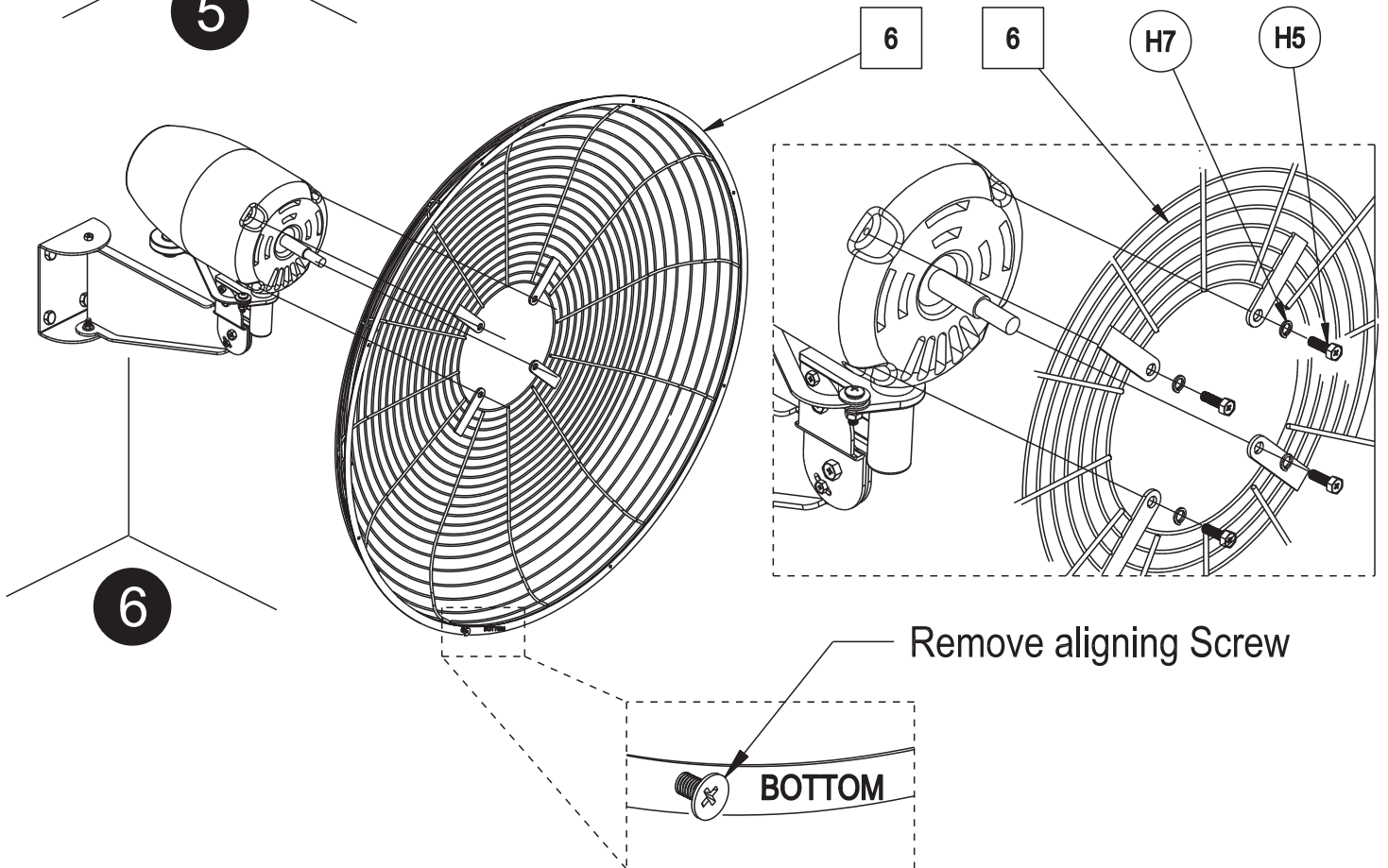
CONTENTS		
REF.	QTY.	DESCRIPTION
1	1	Wall Mounting Bracket
2	1	Angle Support Bracket
3	1	Right Support
4	1	Left Support
5	1	Motor
6	1	Back Shroud
7	1	Fan Blade
8	1	Cover Shroud
H1	3	M10 x 1,5 x 25mm Lg. Phillips Hex Bolt
H2	4	Plain Washer (14 id x 20 od.)
H3	4	Split Washer (14 id. x 18 od.)
H4	4	M10x1.5 Hex Nut
H5	5	M6 x 1.0 x 20mm Lg. Phillips Hex Bolt
H6	5	Plain Washer (6,5 id x 16 od.)
H7	5	Split Washer (6,5 id x 10 od.)
H8	5	M6x1,0 Hex Nylon Lock Nut
H9	1	M10 x1,5 x 34mm Lg. Phillips Hex Bolt
H10	1	Hex Key (4 mm)



# INDUSTRIAL WALL FAN

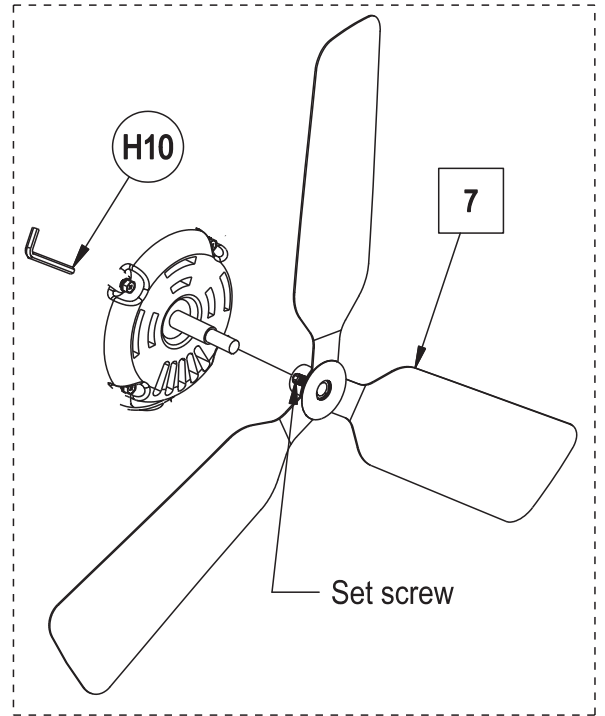
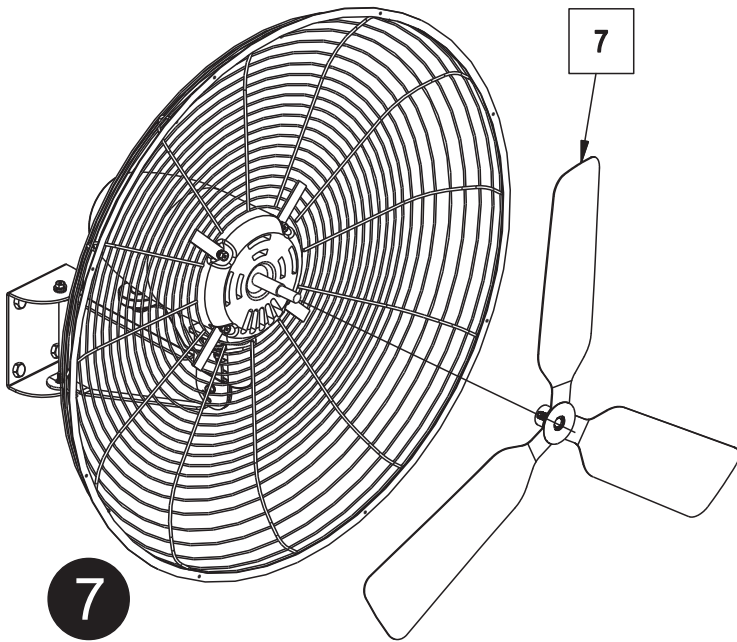


5



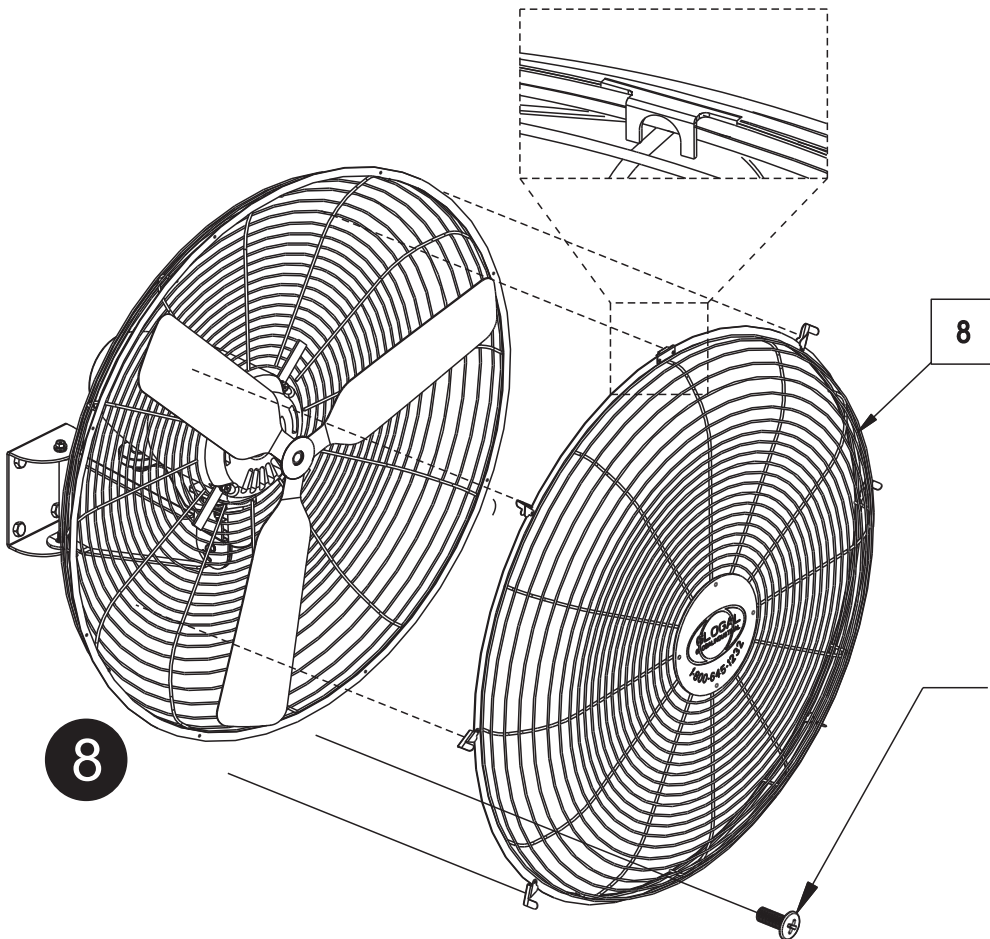
6

# INDUSTRIAL WALL FAN



**⚠ CAUTION.**

Set screw Must be tightened to motor shaft before assembling cover shroud.

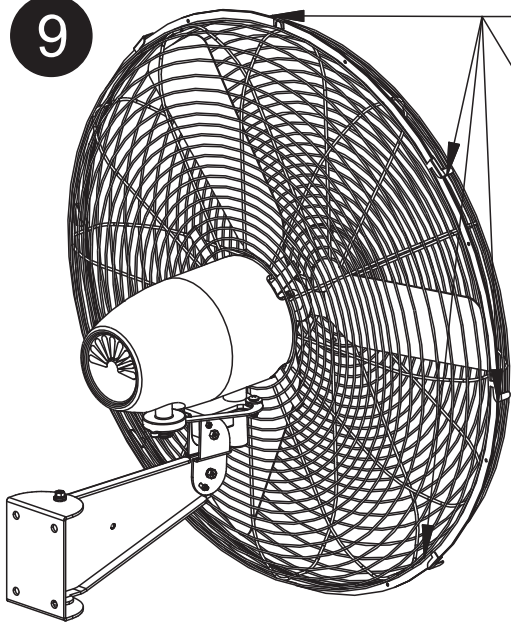


Aligning screw  
(M3.5 x 0.6 x 7.5mm Lg.  
Phillips Head Screw)

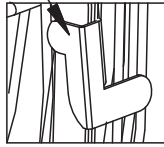


# INDUSTRIAL WALL FAN

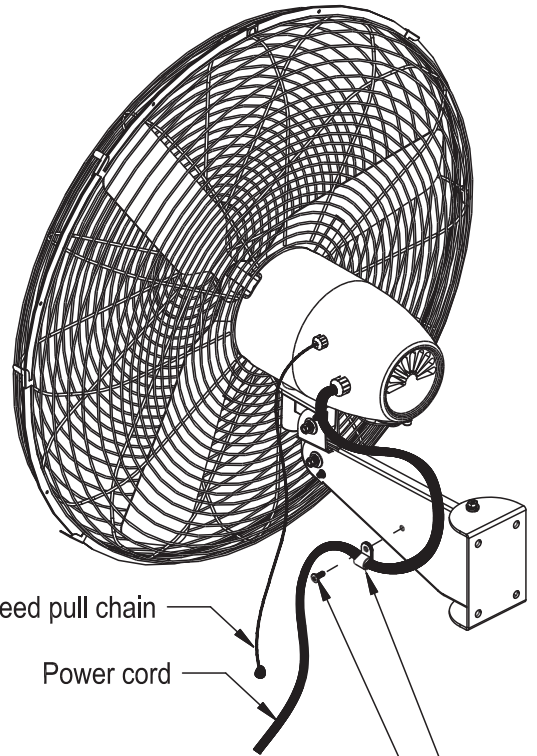
9



Latch hold down



10



3 Speed pull chain

Power cord

M5 x 0.8mm x 9mm Lg.  
Phillips head screw

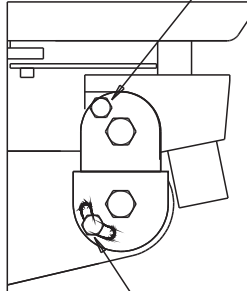
Wire strain relief

## Note:

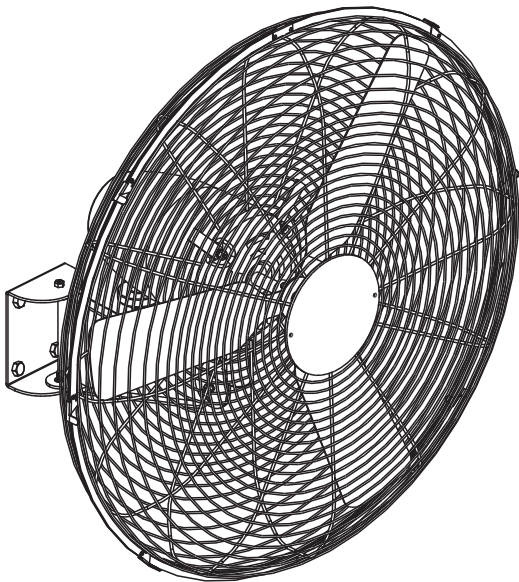
After assembling fan to bracket  
make sure all nuts and bolt  
are fully tightened.

## ANGLE ADJUSTMENT

LOCKING SCREW



ANGLE ADJUSTMENT  
SCREW



11

## TO OSCILLATE

M6 x 1.0 Phillips Shoulder Screw

OSCILLATE

FIXED

