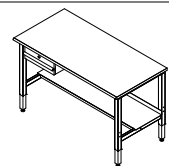
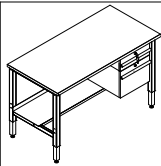


OPTIONAL STACKING DRAWER AND CABINET

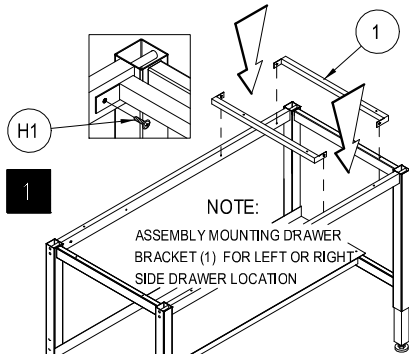
ASSEMBLY INSTRUCTION



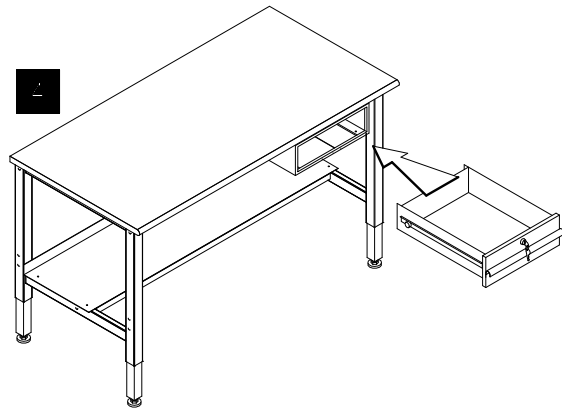
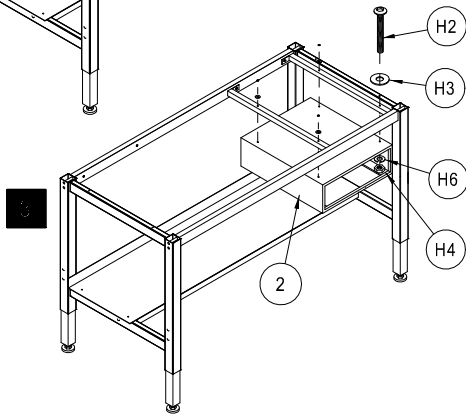
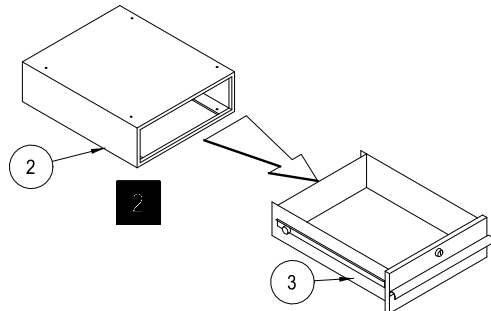
NOTE:
DRAWER SUPPORTS ARE INCLUDED WITH LEGS KIT

| CONTENTS | | |
|-----------|---|----------------|
| REF. QTY. | | DESCRIPTION |
| 1 | 2 | DRAWER SUPPORT |
| 2 | 1 | DRAWER CASE |
| 3 | 1 | DRAWER |
| H1 | 4 | SCREW |
| H2 | 4 | BOLT |
| H3 | 4 | WASHER |
| H4 | 4 | NUT |
| H5 | 4 | SCREW |
| H6 | 4 | WASHER |
| | 2 | KEY |

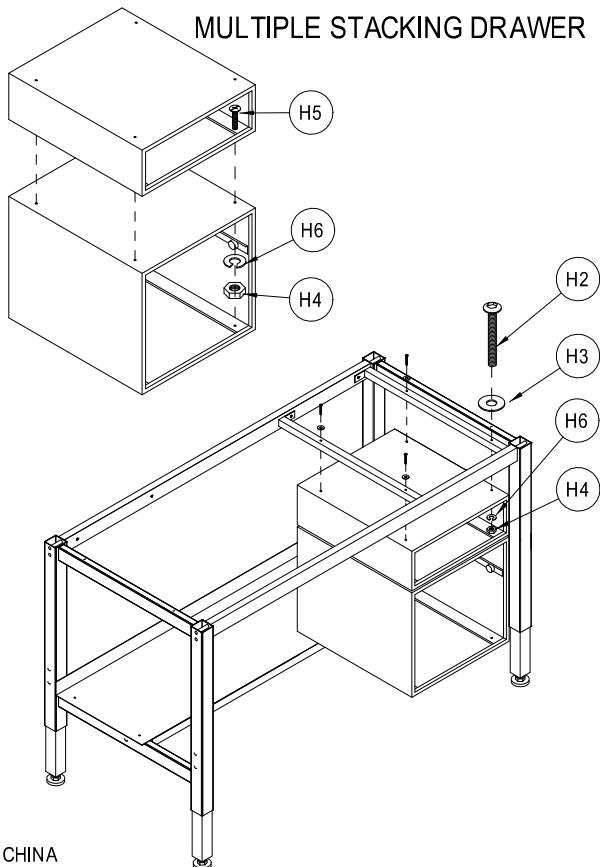
NOTE:
IF YOU ARE ASSEMBLING WORKBENCH AND DRAWER FOR THE FIRST TIME, REFER TO COMPLETE ASSEMBLY INSTRUCTION.



NOTE:
ASSEMBLY MOUNTING DRAWER BRACKET (1) FOR LEFT OR RIGHT SIDE DRAWER LOCATION



MULTIPLE STACKING DRAWER



STORAGE CABINET

