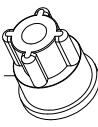
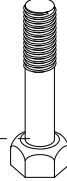
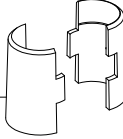


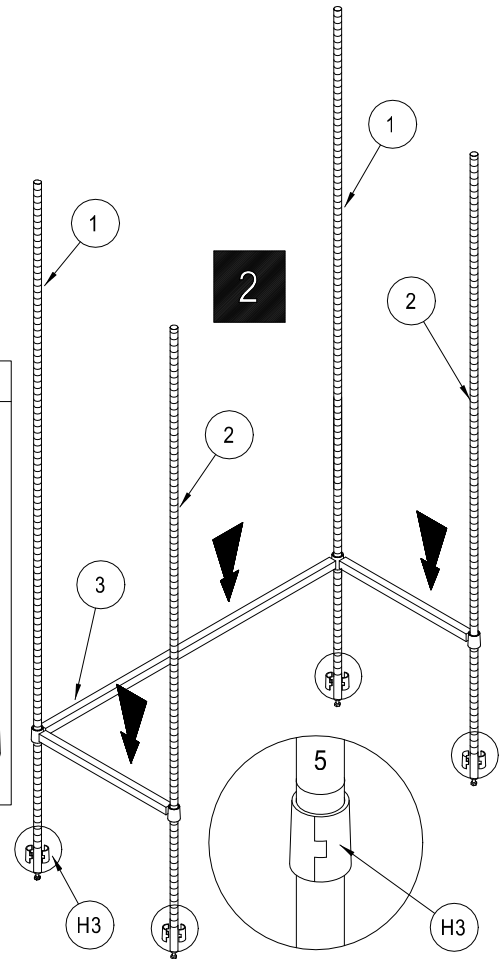
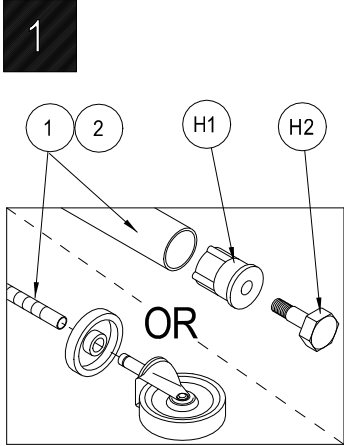


1-800-645-2986
www.nexelwire.com

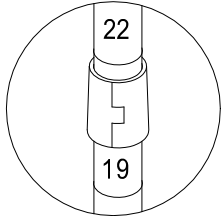
18" DEEP / 24" DEEP ANGLE SHELVES ASSEMBLY INSTRUCTION

CONTENTS

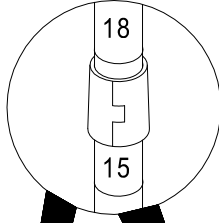
REF.	QTY.	DESCRIPTION
1	2	63" POST
2	2	54" POST
3	1	DUNNAGE SHELF
4	4	ANGLE SHELF
H1	4	
H2	4	
H3	20 SETS	



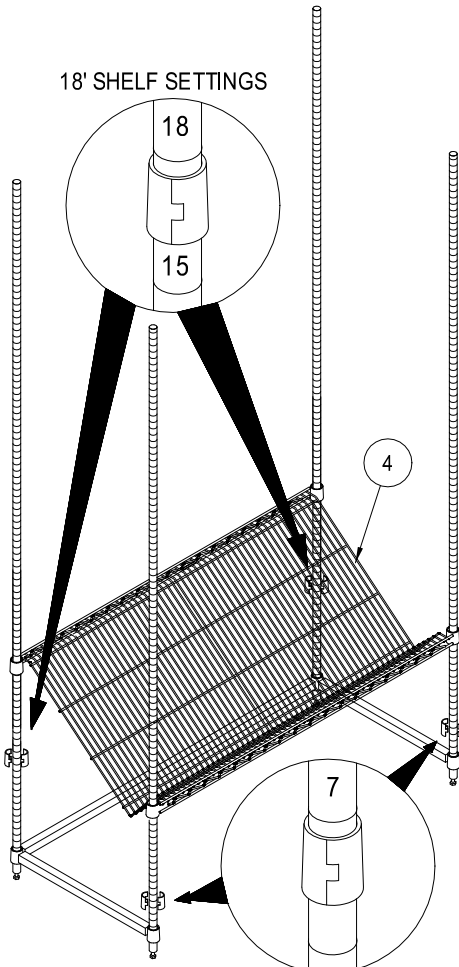
24" SHELF SETTINGS



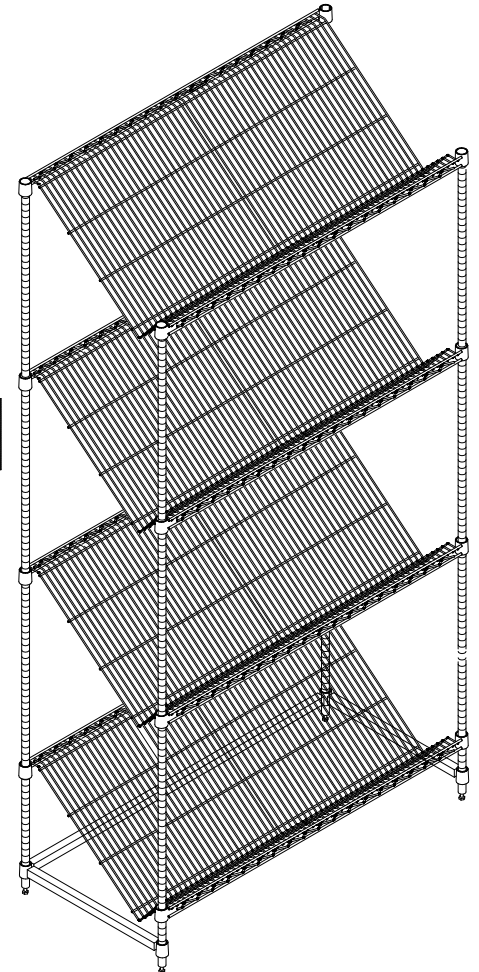
18" SHELF SETTINGS



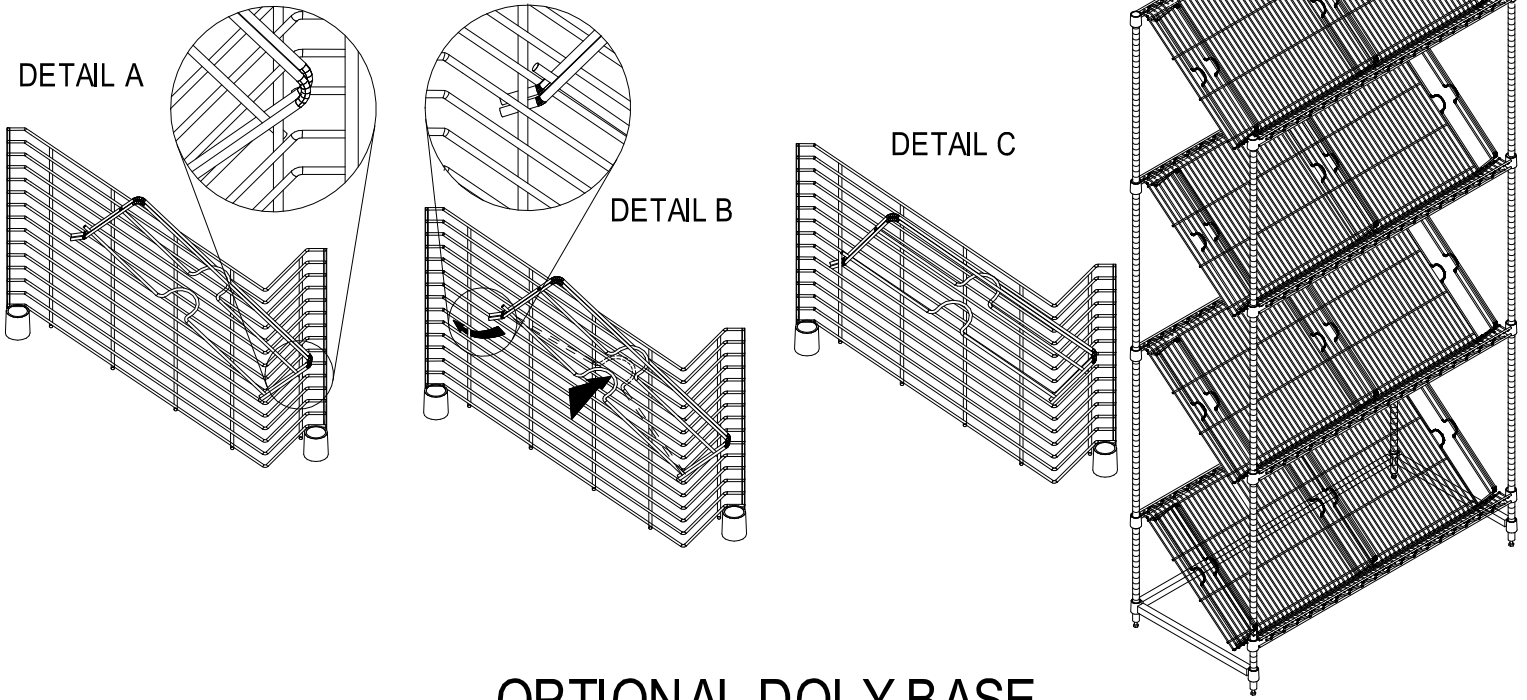
3



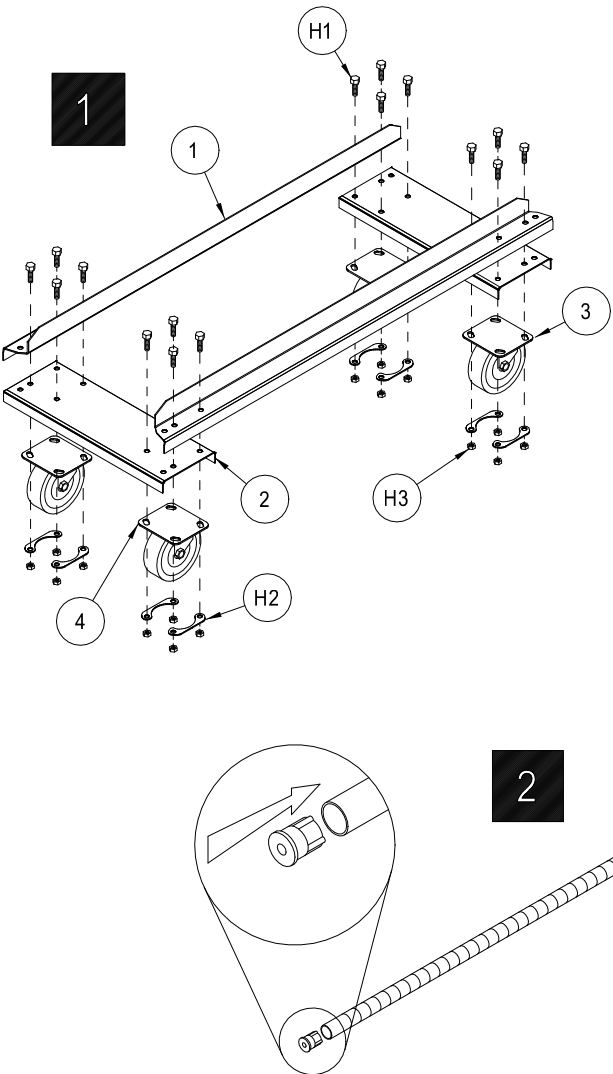
4



OPTIONAL SHELF DIVIDER

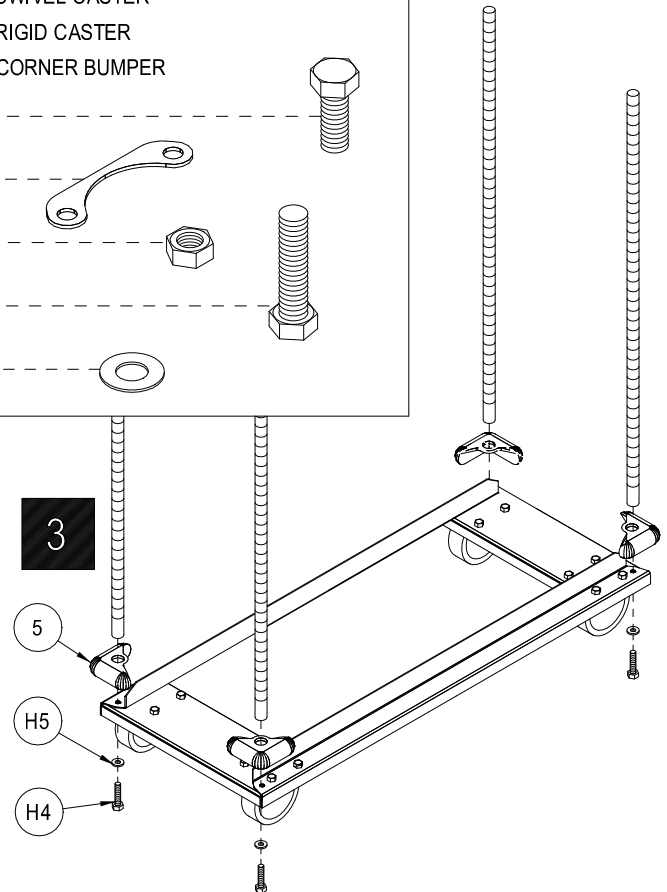


OPTIONAL DOLY BASE

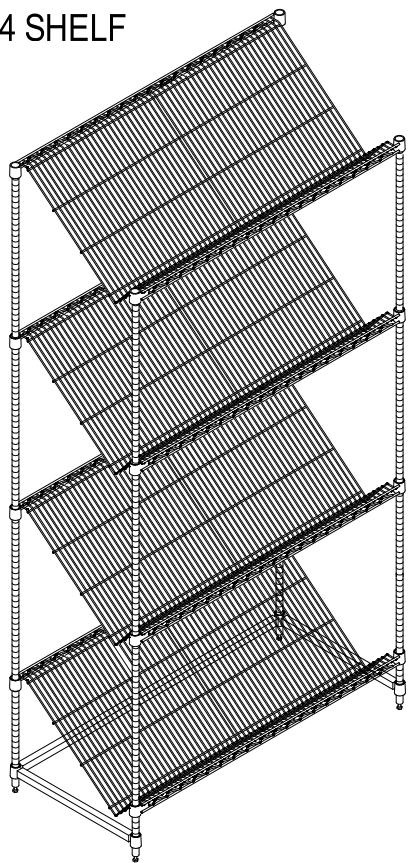


CONTENTS

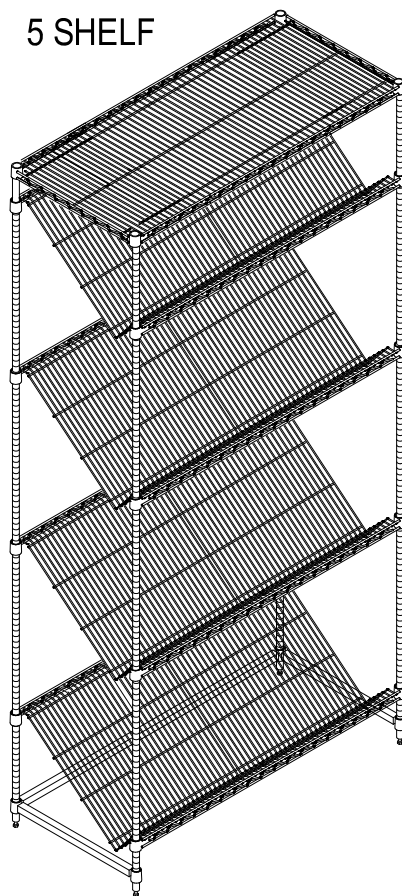
REF.	QTY.	DESCRIPTION
1	2	Z-SUPPORT
2	2	CASTER CHANNEL
3	2	SWIVEL CASTER
4	2	RIGID CASTER
5	4	CORNER BUMPER
H1	16	
H2	8	
H3	16	
H4	4	
H5	4	



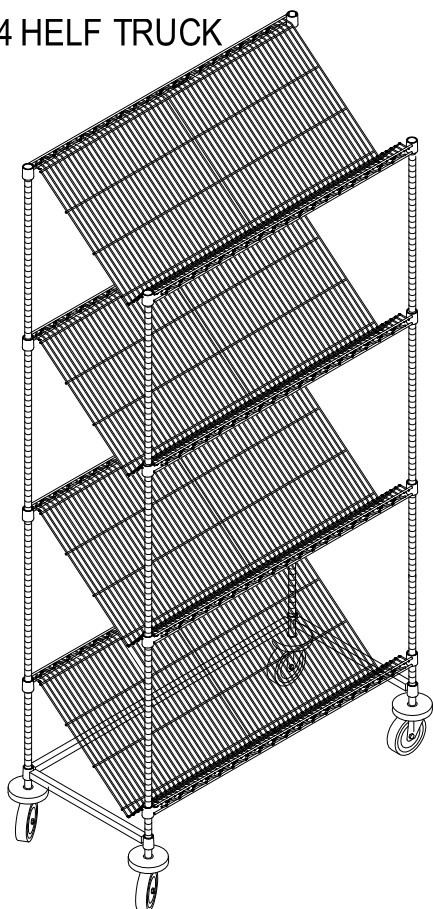
4 SHELF



5 SHELF



4 HELF TRUCK



4 SHELF WITH DOLLY BASE

