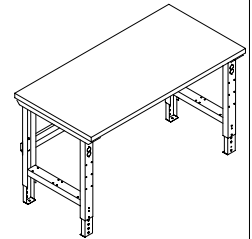
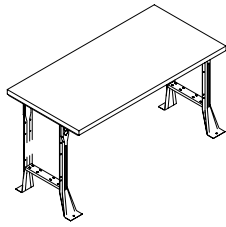


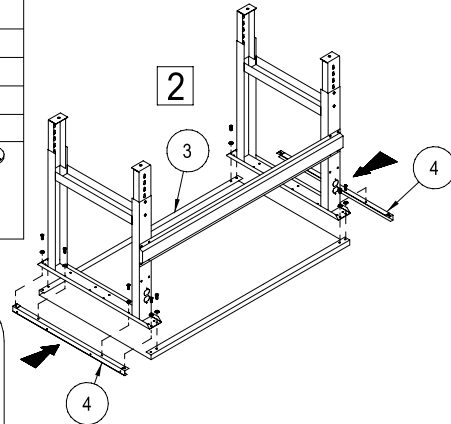
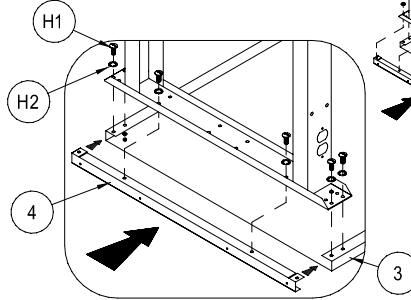
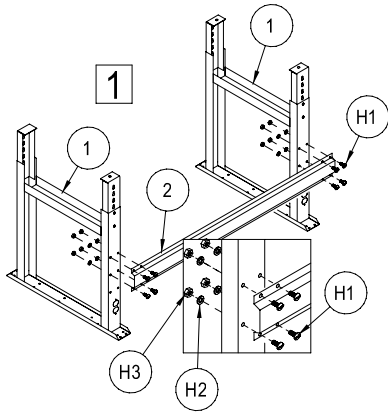


www.globalindustrial.com
1-800-645-2986

STEEL TOP INDUSTRIAL WORKBENCH ASSEMBLY INSTRUCTION CONTENTS

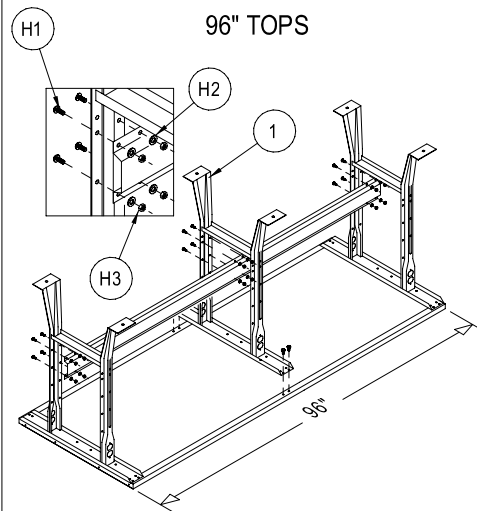
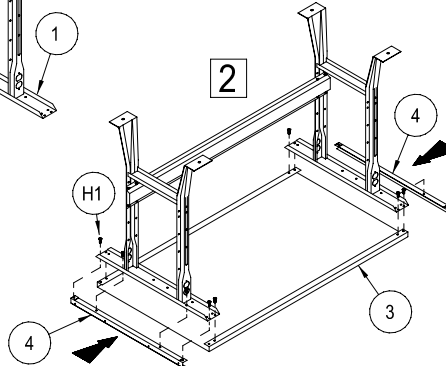
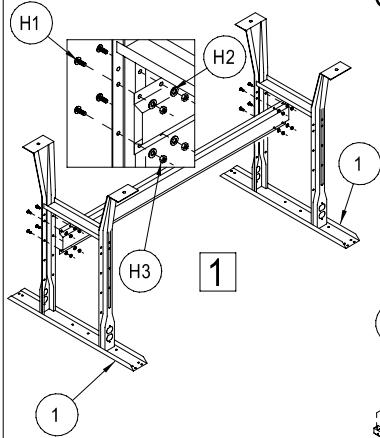


REF.	QTY.	DESCRIPTION
1	2	LEG
2	1	STRINGER
3	1	STEEL TOP
4	2	END CHANNEL
H1	20	
H2	20	
H3	8	



MODEL # -185718,185719,185720,
185721,185722,185723

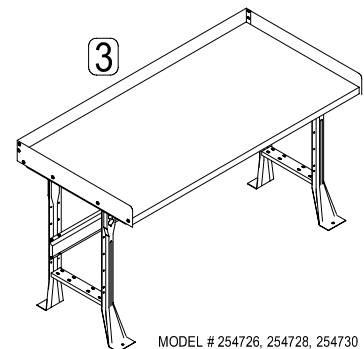
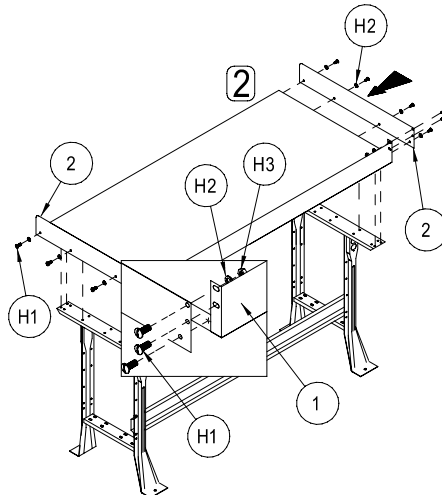
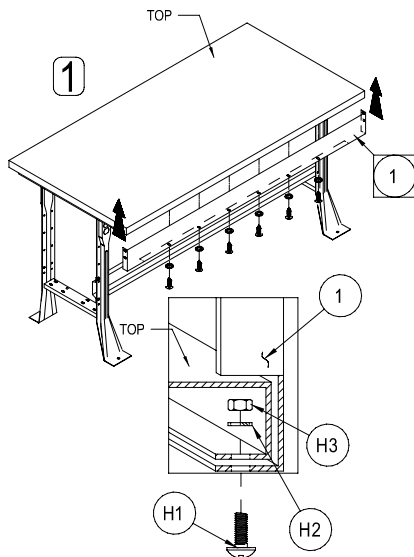
OR



BACK AND END STOPS

CONTENTS

REF.	QTY.	DESCRIPTION
1	1	BACK PANEL
2	2	SIDE PANEL
H1		
H2		
H3		



MODEL # 254726, 254728, 254730



www.globalindustrial.com

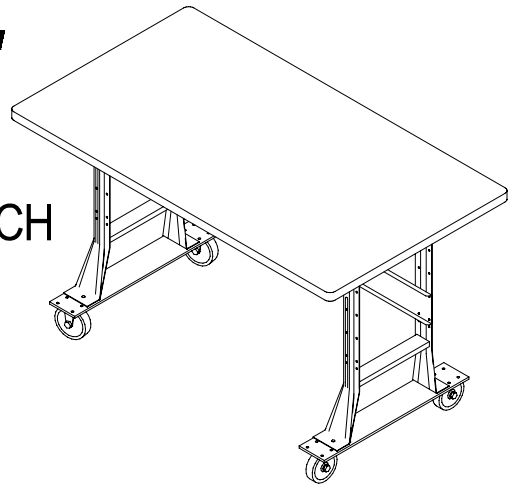
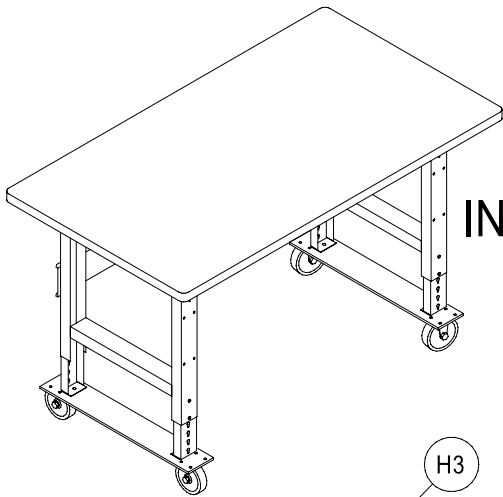
1-800-645-2986

INDUSTRIAL WORKBENCH

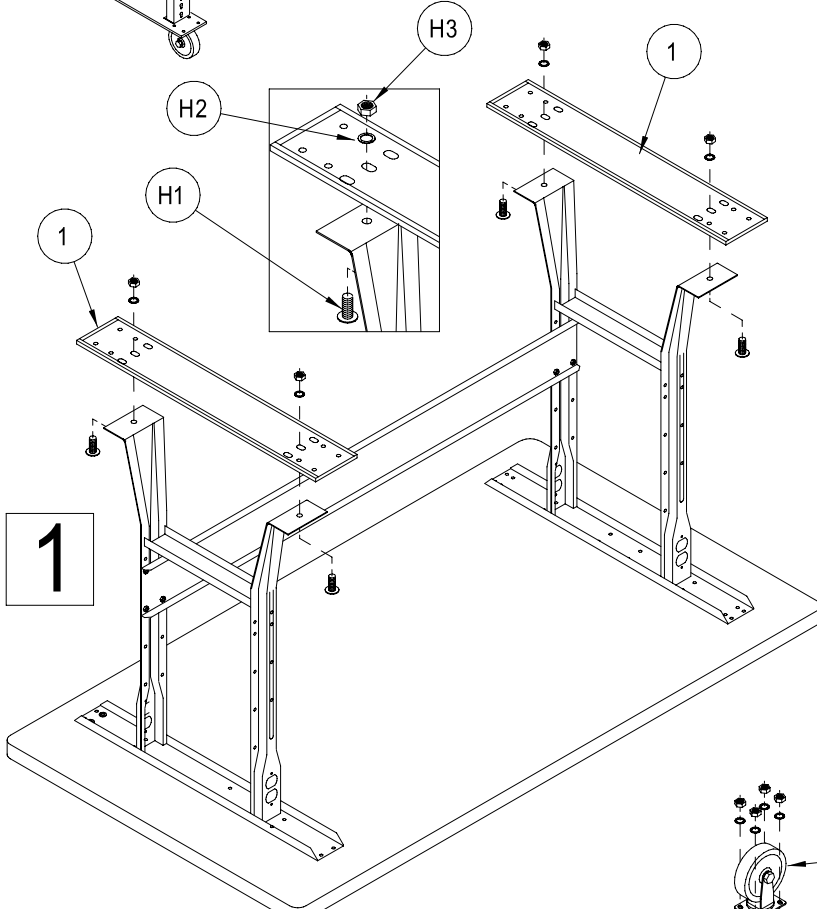
ACCESSORIES

ASSEMBLY INSTRUCTION

OPTIONAL CASTER BASE



P/N - 9603B - ASSY. INSTRUCTION



CONTENTS		
REF.	QTY.	DESCRIPTION
1	2	CASTER BASE
H1	20	
H2	20	
H3	20	
H4	2	
H5	2	

1

2

