

CONTENTS

REF.	QTY.	DESCRIPTION
1	1	LOWER STRINGER
2	1	UPPER STRINGER
3	5	SUPPORT POST
4		19 x 36 Panel (OR (2) 19 x 18x Panels)
6	2	19 x 18 Panel
5	1	UPRIGHT
H1	10	M6 x 1 1/2 SOCKET HEAD SCREW
H2	10	M5 x 1/2 SOCKET HEAD SCREW
H3	20	M5 FLANGE NUT
H4	1	.114 ALLEN KEY
H5	4	1/4-20 x 2" SOCKET HEAD SCREW
H6	8	1/4-20 x 2.5" SOCKET HEAD SCREW
H7	8	PLAIN WASHER
H8	8	1/4-20 FLANGE NUT
H9	1	.154 ALLEN KEY
	1	1/4" DRILL BIT

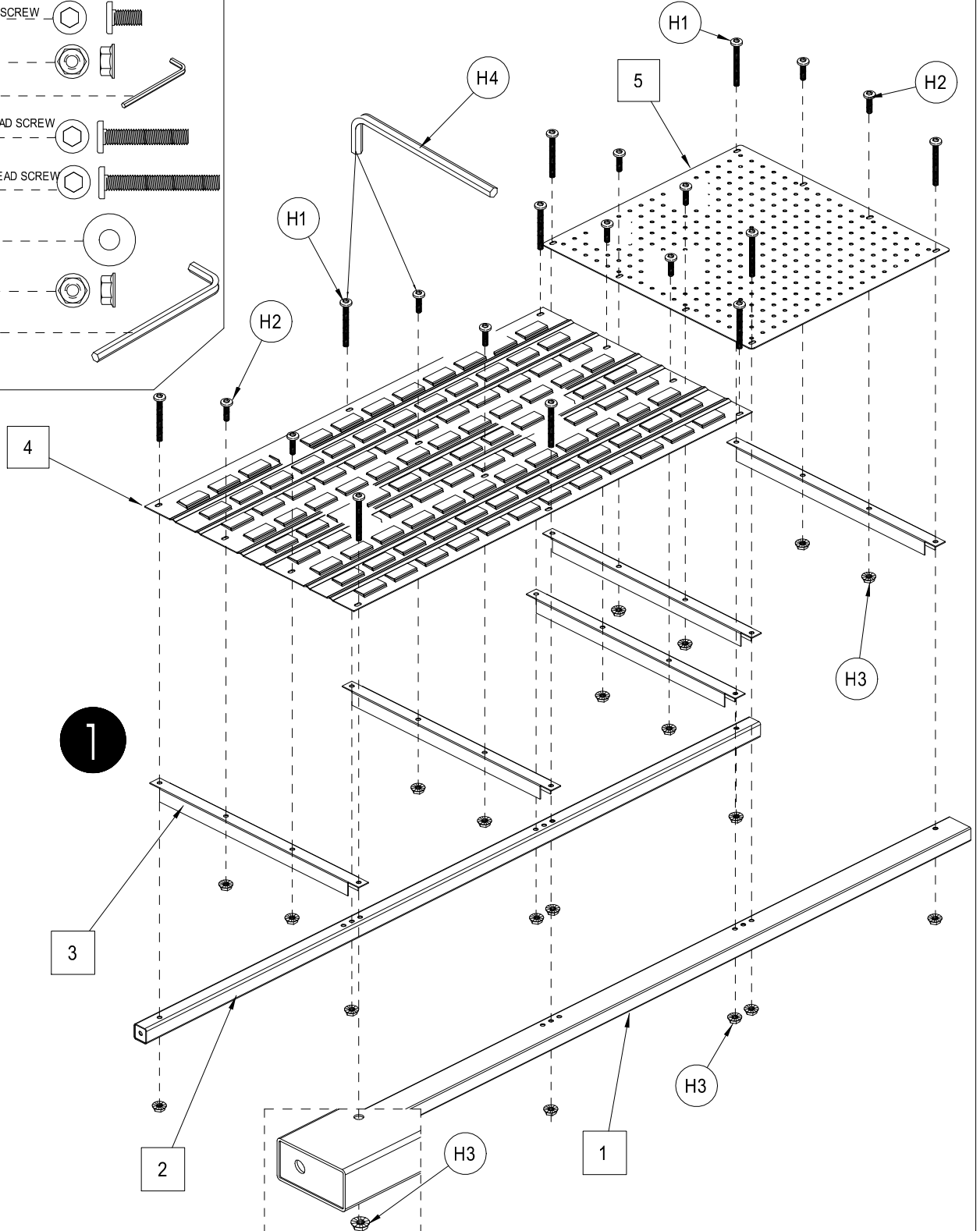
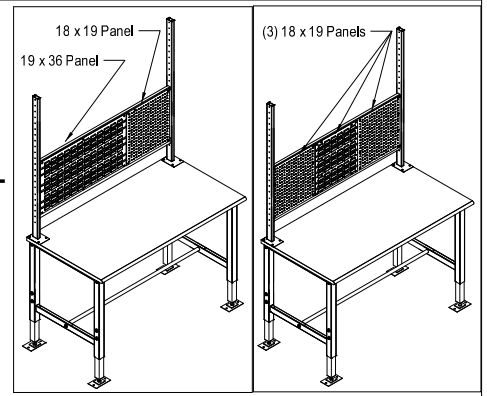


www.globalindustrial.com

1-800-645-2986

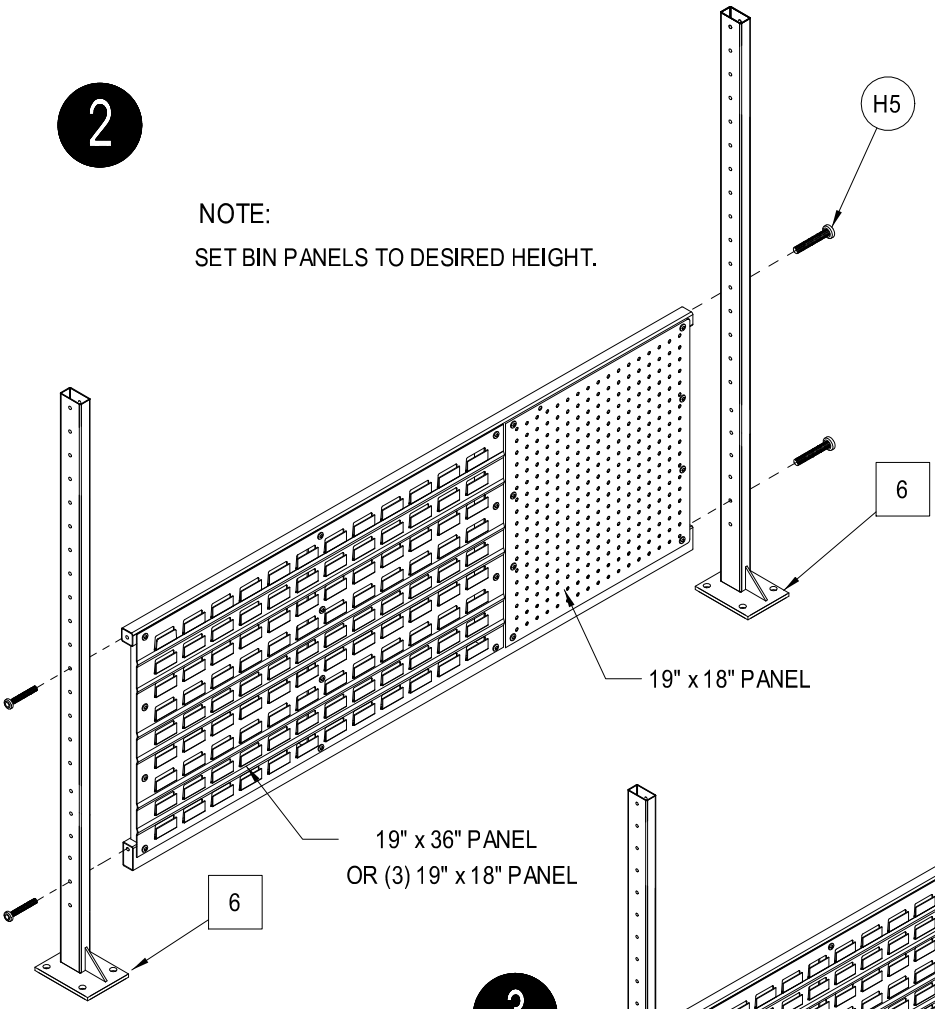
60" & 72" LOUVER PANEL Model 249292, 249293

ASSEMBLY INSTRUCTION



2

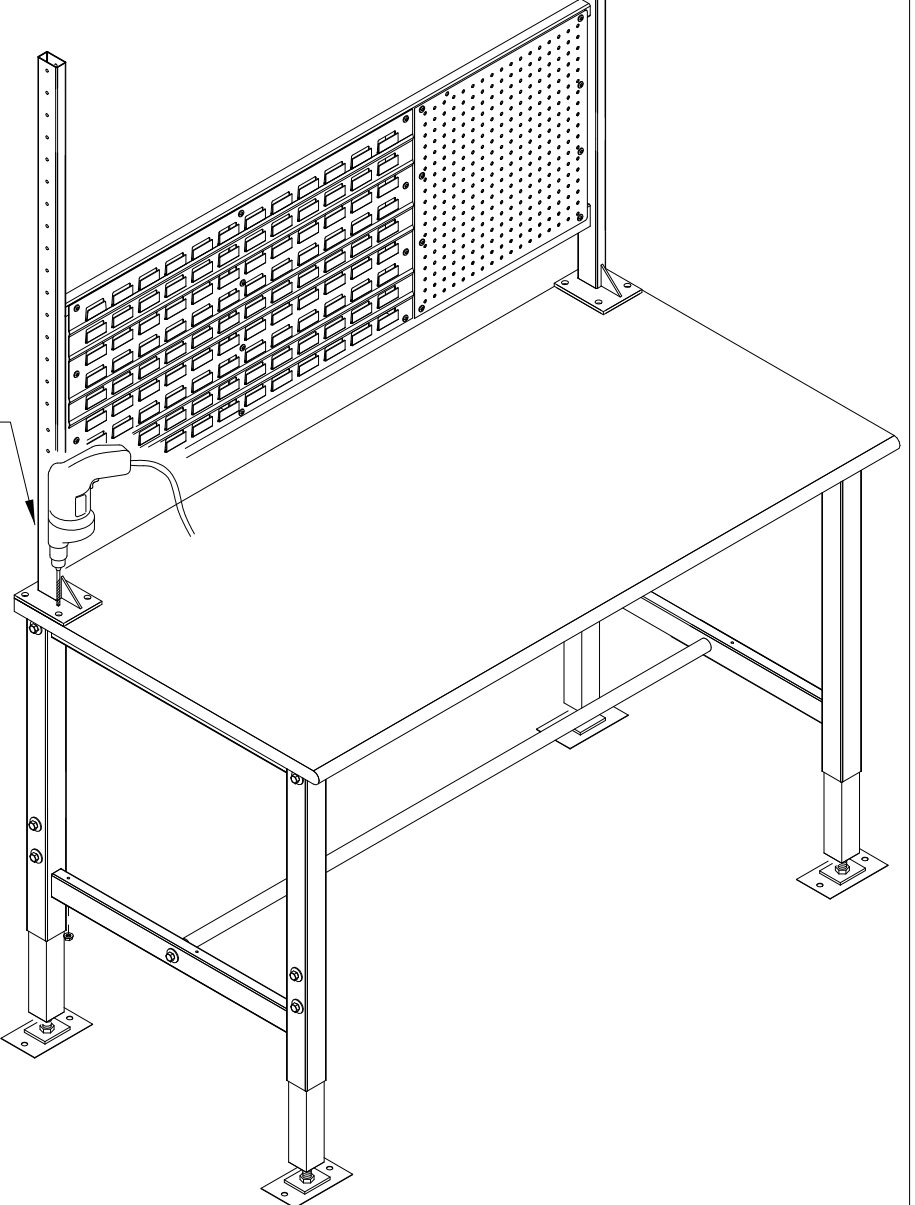
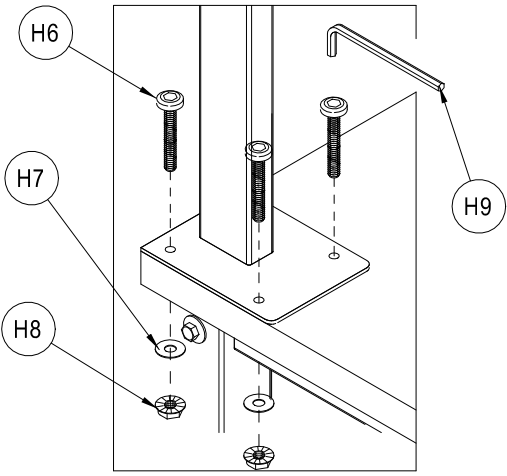
NOTE:
SET BIN PANELS TO DESIRED HEIGHT.



3

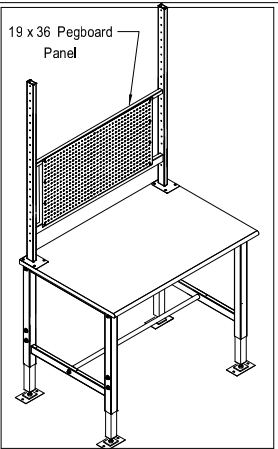
Aligned Upright (assembly) to counter top and drill (8) holes with drill bit provided.

Assemble Uprights to counter top with screws, washer and nuts provided.



CONTENTS

REF.	QTY.	DESCRIPTION
1	1	LOWER STRINGER
2	1	UPPER STRINGER
3	3	SUPPORT POST
4	1	19 x 36 PANEL
5	2	UPRIGHT
H1	6	M6 x 1 1/2 SOCKET HEAD SCREW
H2	6	M5 x 1/2 SOCKET HEAD SCREW
H3	12	M5 FLANGE NUT
H4	1	.114 ALLEN KEY
H5	4	1/4-20 x 2" SOCKET HEAD SCREW
H6	8	1/4-20 x 2.5" SOCKET HEAD SCREW
H7	8	PLAIN WASHER
H8	8	1/4-20 FLANGE NUT
H9	1	.154 ALLEN KEY
1	1	

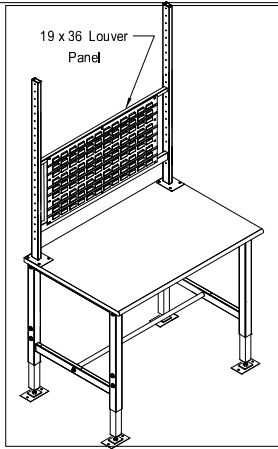


www.globalindustrial.com

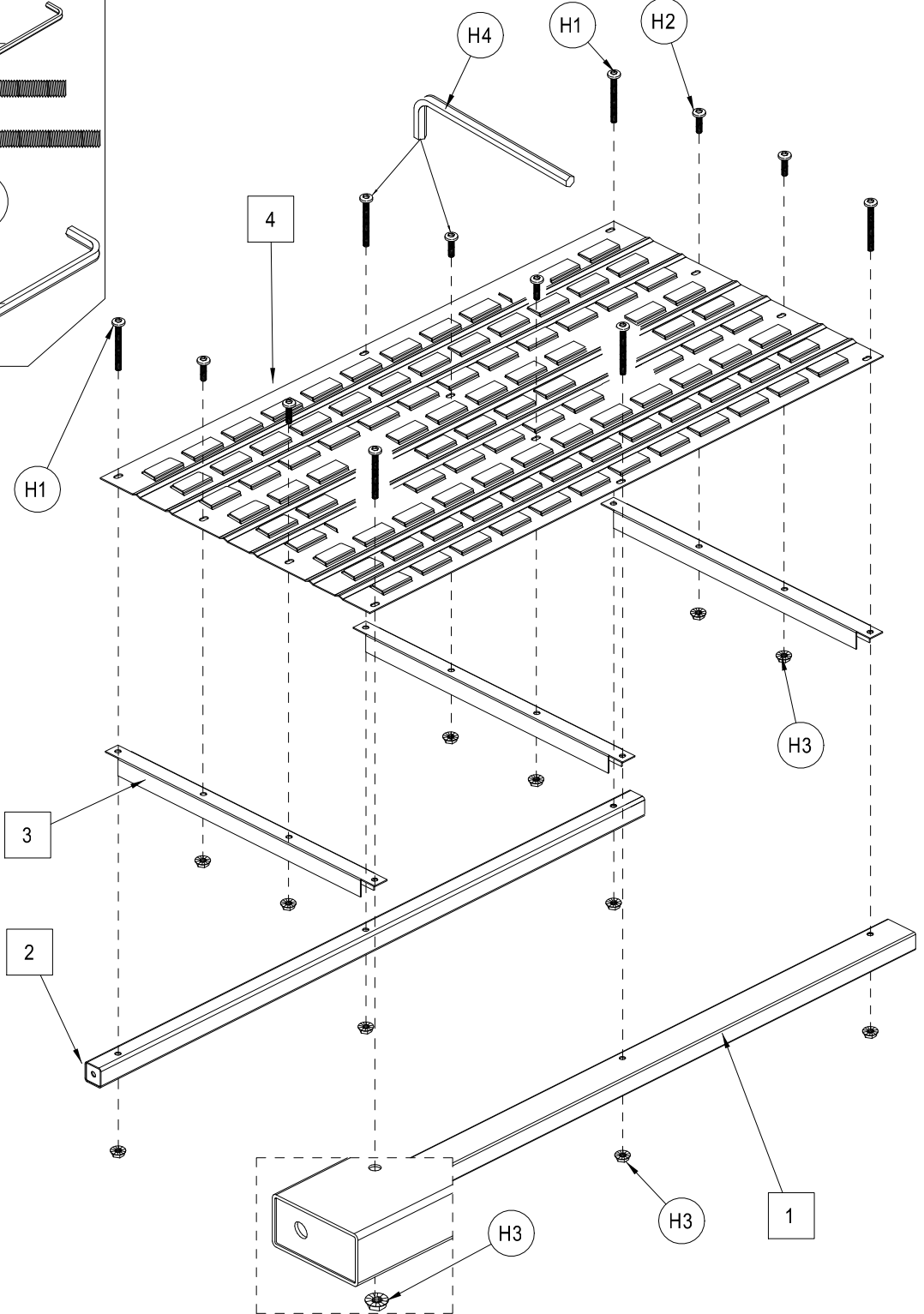
1-800-645-2986

48" LOUVER PANEL Model 249291

ASSEMBLY INSTRUCTION



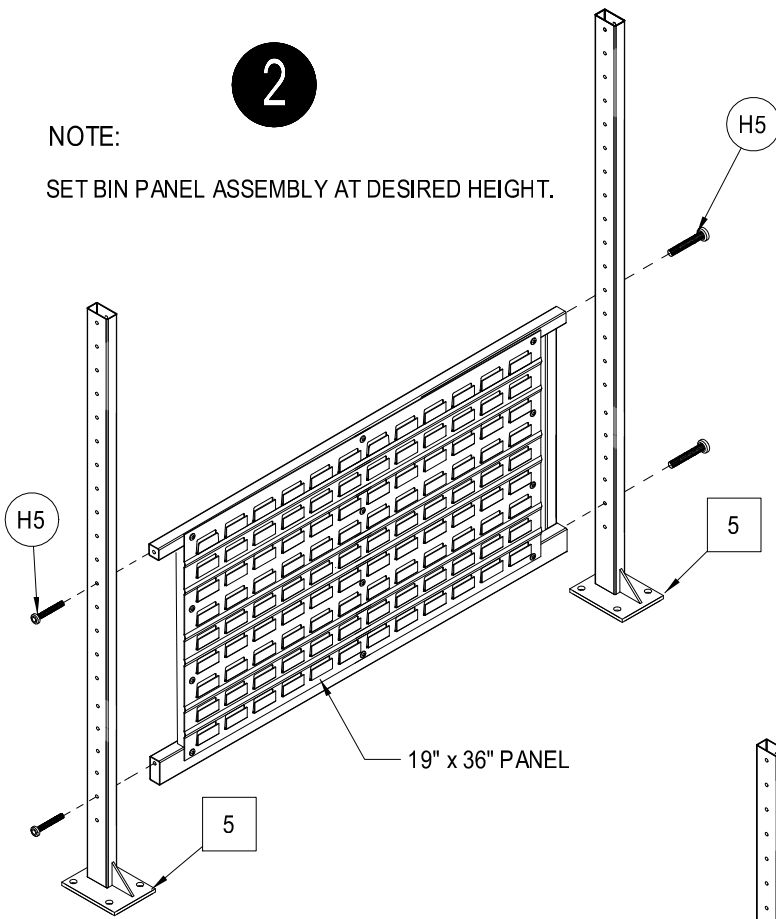
1



2

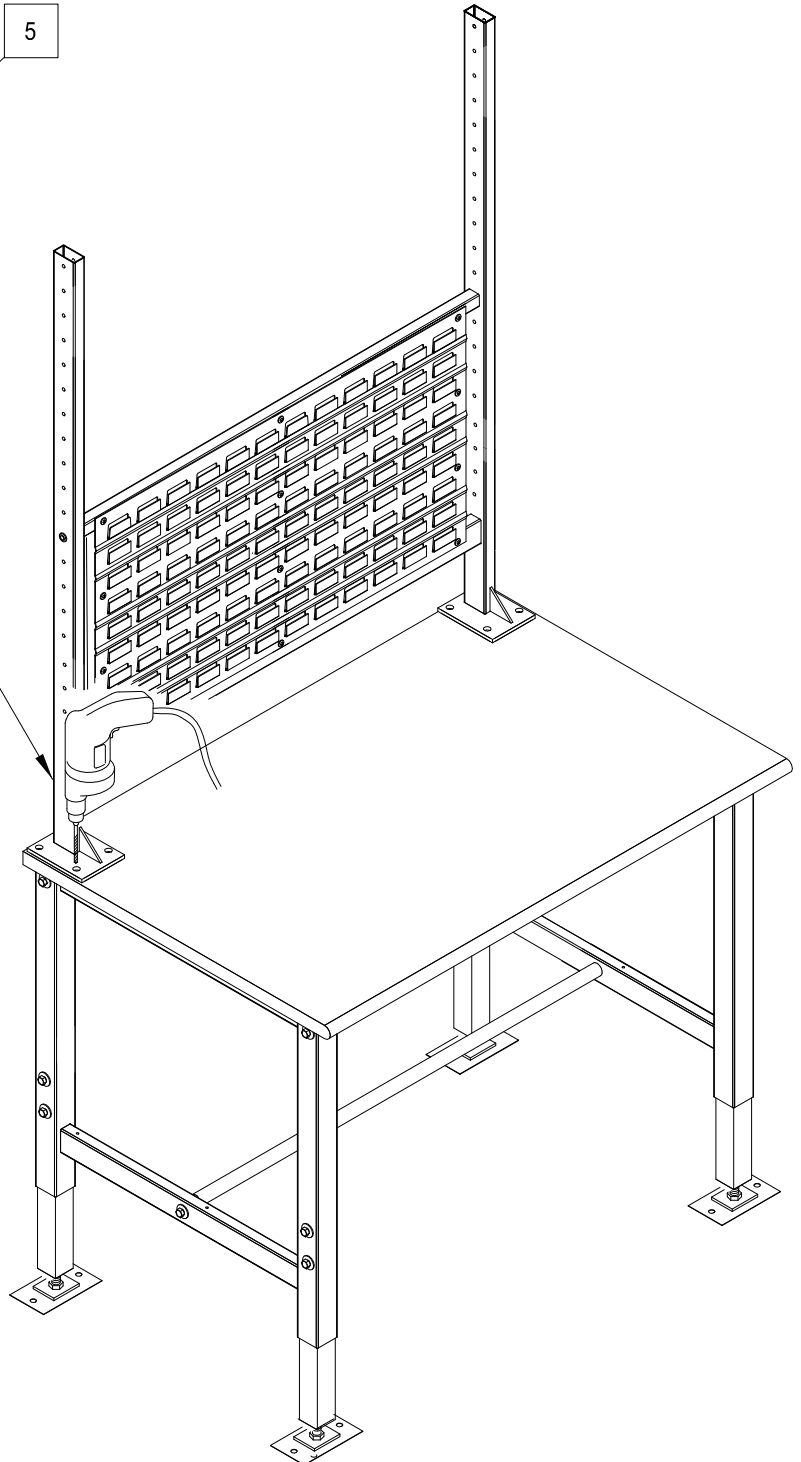
NOTE:

SET BIN PANEL ASSEMBLY AT DESIRED HEIGHT.



3

Aligned Upright (assembly) to counter top and drill (8) holes with drill bit provided.



Assemble Uprights to counter top with screws, washer and nuts provided.

