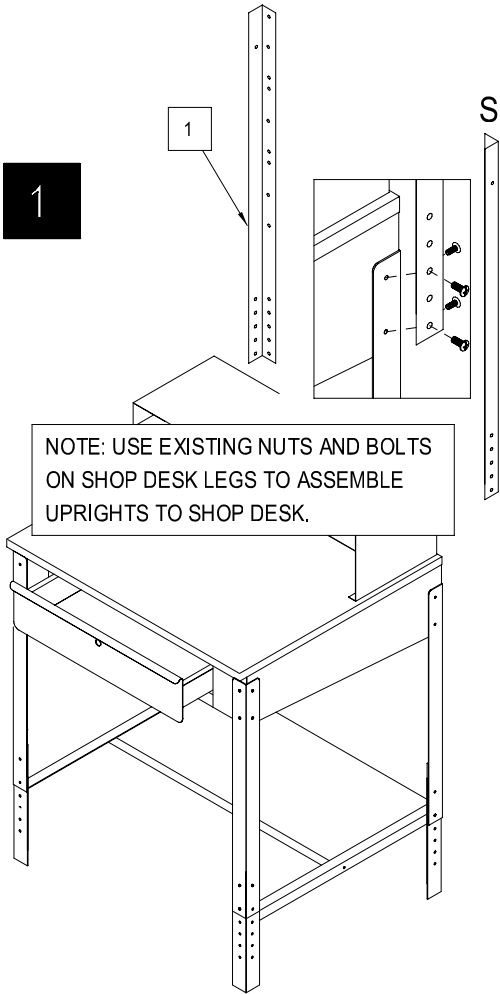


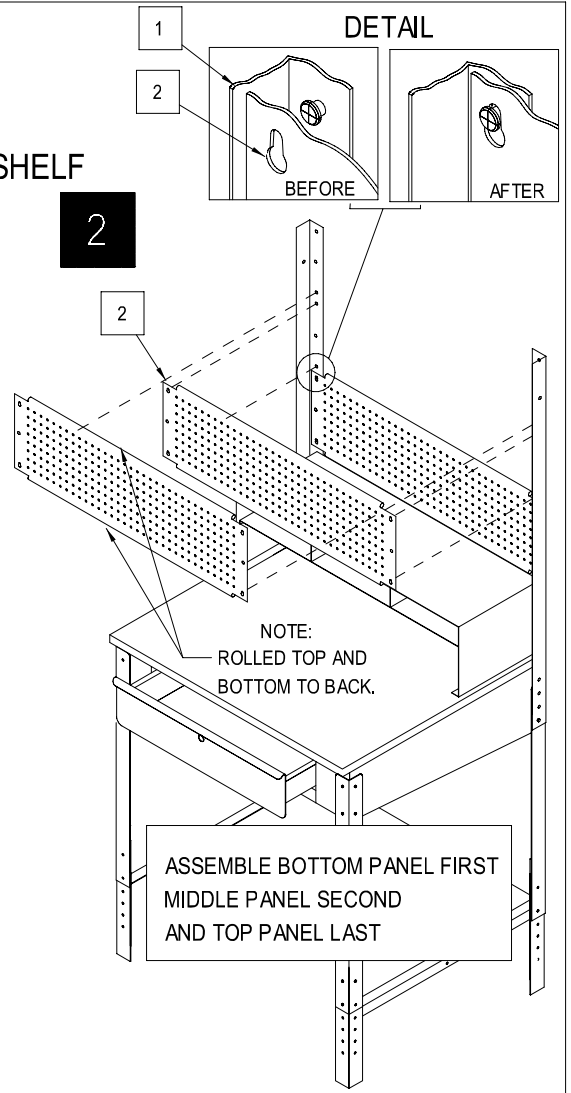
SHOP DESK PEGBOARD / RISER SHELF

1

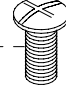


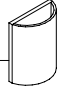


NOTE: USE EXISTING NUTS AND BOLTS ON SHOP DESK LEGS TO ASSEMBLE UPRIGHTS TO SHOP DESK.

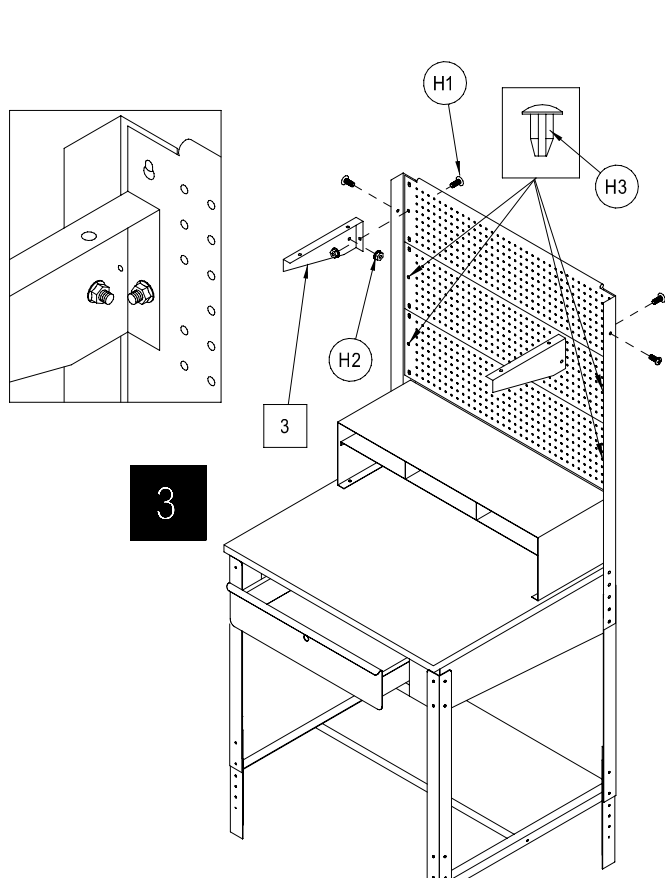
2



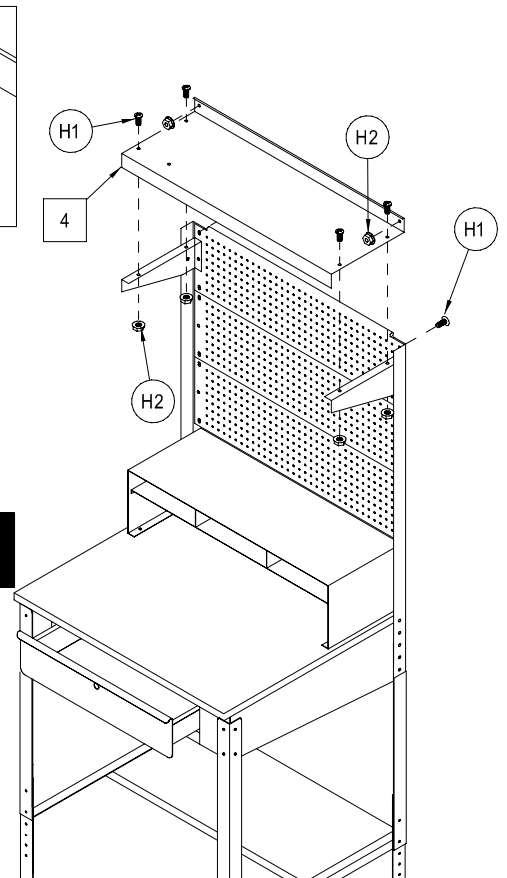
NOTE: ROLLED TOP AND BOTTOM TO BACK.
ASSEMBLE BOTTOM PANEL FIRST MIDDLE PANEL SECOND AND TOP PANEL LAST

CONTENTS		
REF.	QTY.	DESCRIPTION
1	2	UPRIGHT
2	3	PEG BOARD
3	2	SHELF SUPPORT
4	1	SHELF
5	1	OPTIONAL LIGHT FIXTURE
H1	10	
H2	10	
H3	1	
H4	3	

3

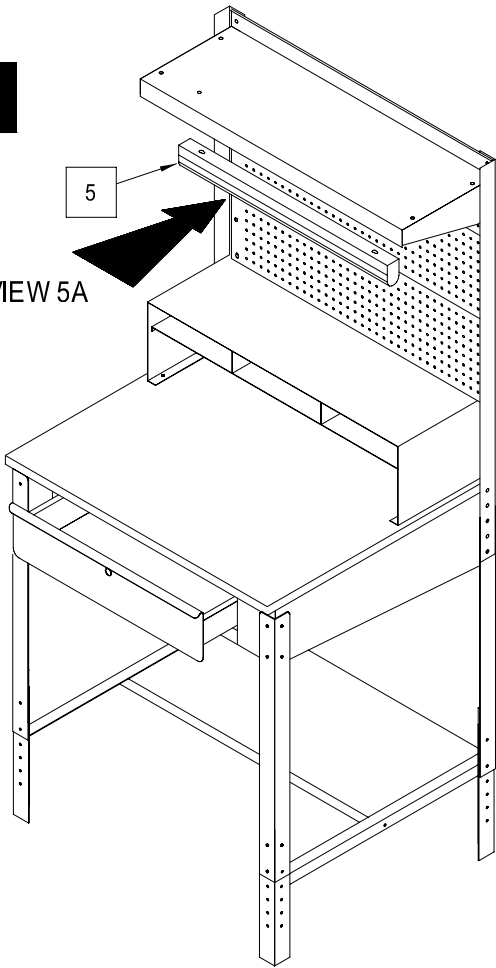


4



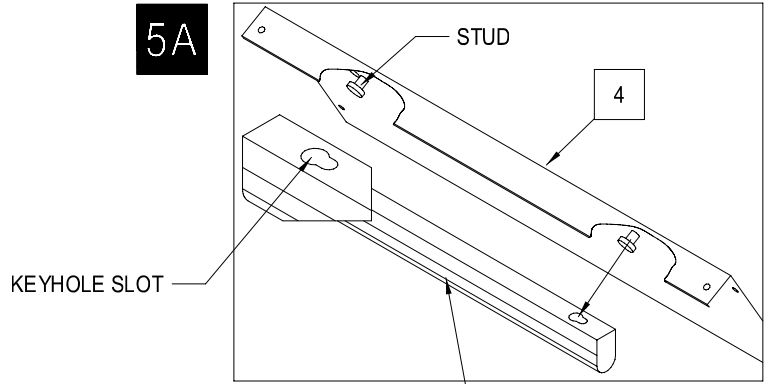
5

SEE VIEW 5A

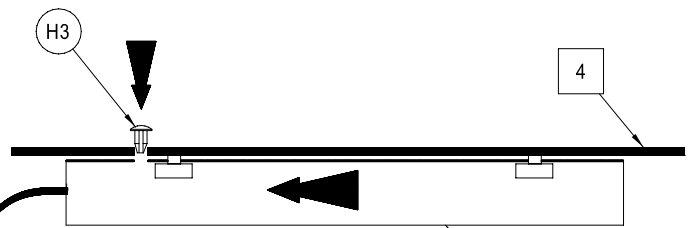


INSERT STUDS ON BOTTOM OF SHELF INTO KEYHOLE SLOTS ON LAMP.

5A

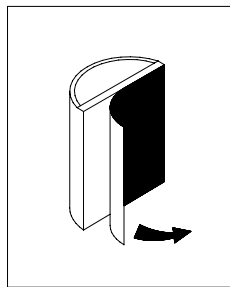


5B



SLIDE LAMP TO LEFT TO LOCK STUD INTO LAMP. INSERT CANOE CLIP TO LOCK LAMP IN PLACE.

5C



REMOVE BACKING ON CLIP AND ATTACH CLIP TO DESK.

