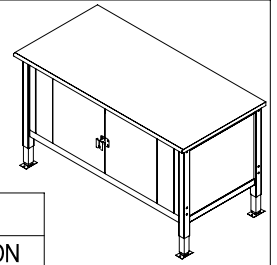
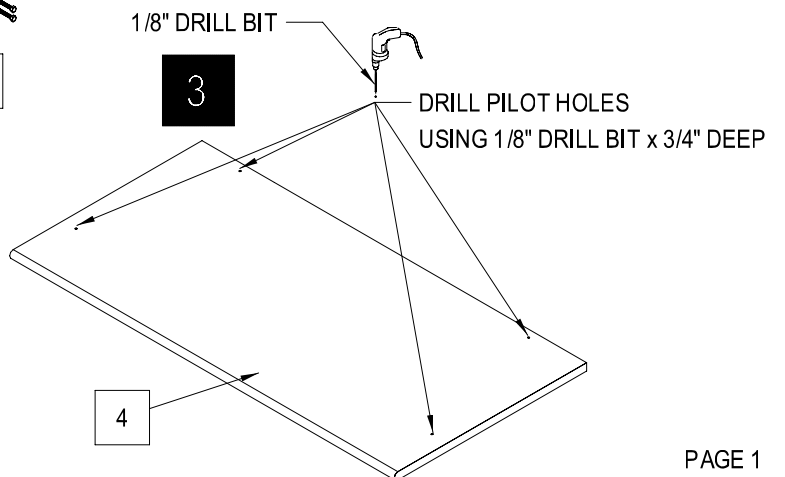
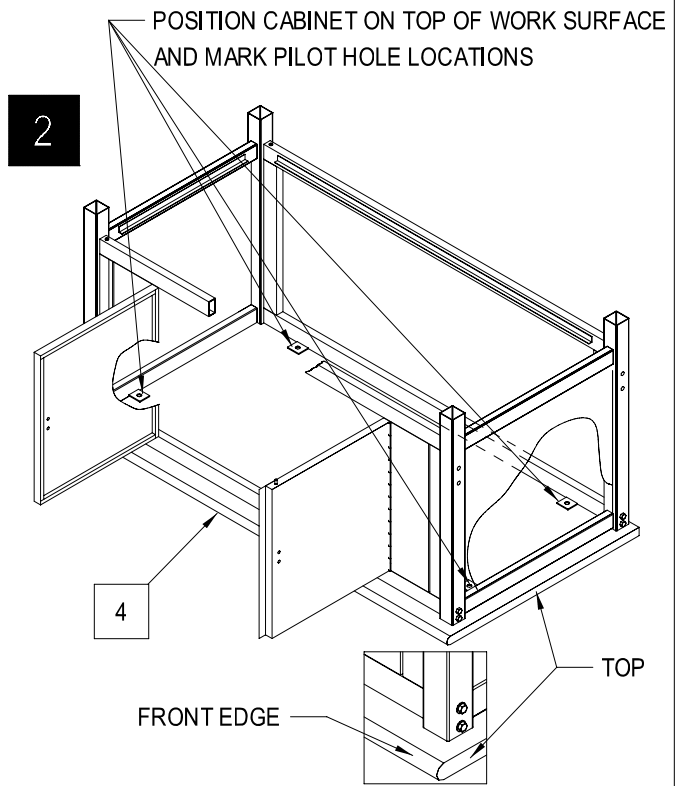
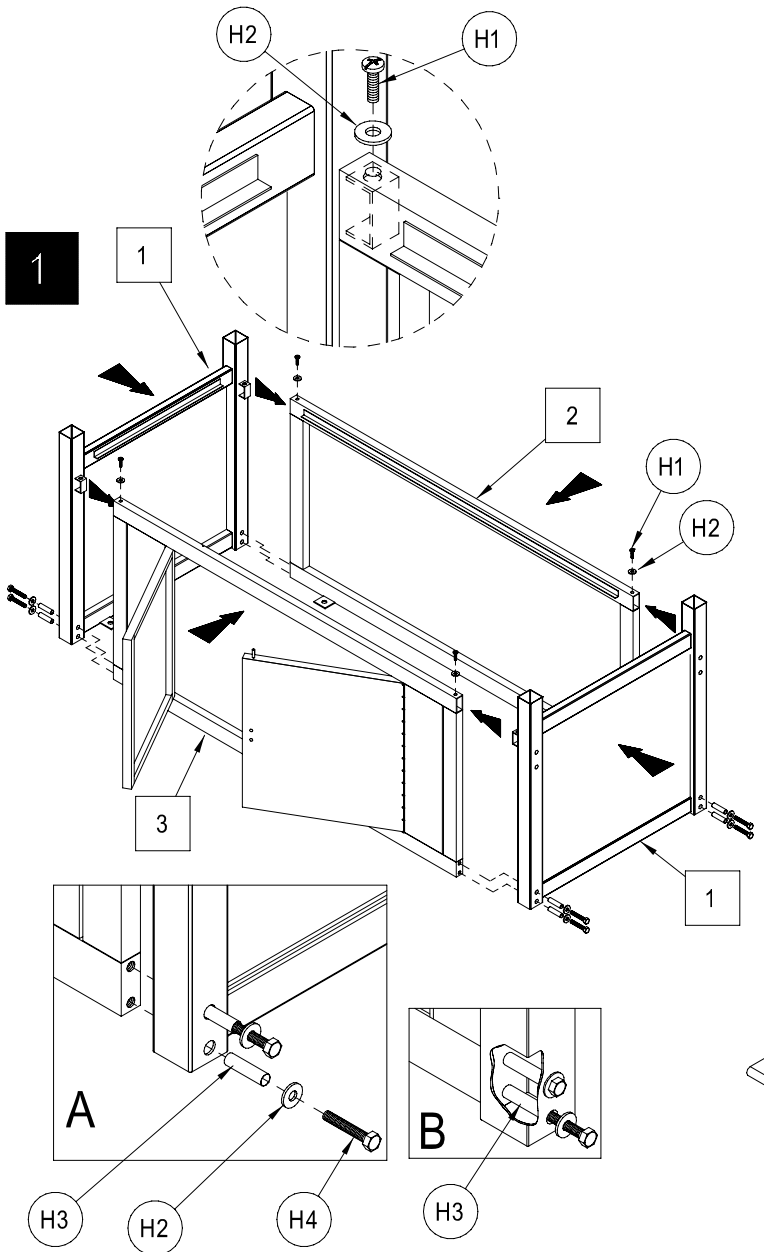


MODEL # 253CP30
 253CP31
 253CP32
 253CP33
 253CP34
 253CP35

HEAVY DUTY ENCLOSED WORKSTATION
 ASSEMBLY INSTRUCTION

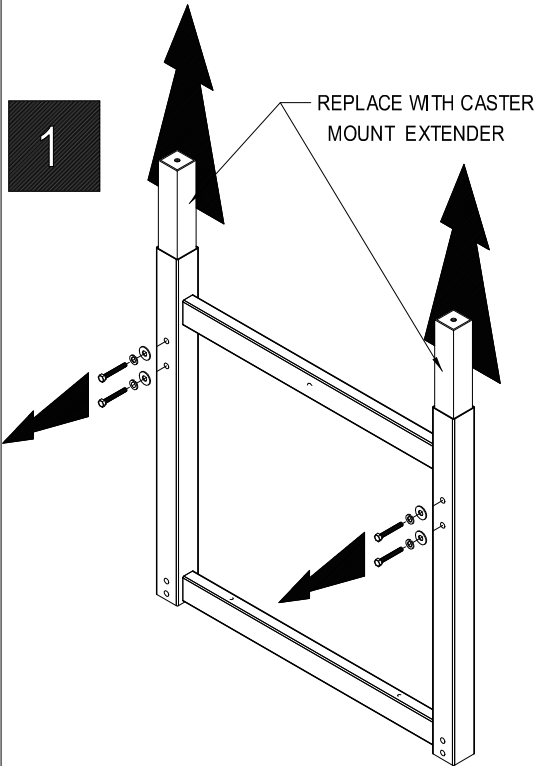




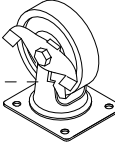
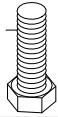
CONTENTS								
REF.	QTY.	DESCRIPTION	REF.	QTY.	DESCRIPTION	REF.	QTY.	DESCRIPTION
1	2	LEG	H1	4		H8	8	
2	1	BACK	H2	12		H9	4	
3	1	DOOR ASSEMBLY	H3	8		H10	4	
4	1	TOP	H4	8		H11	4	
5	4	LEG EXTENSION	H5	8		H12	2	
6	2	BOTTOM SHELF	H6	4		H13	2	
			H7	8		H14	4	

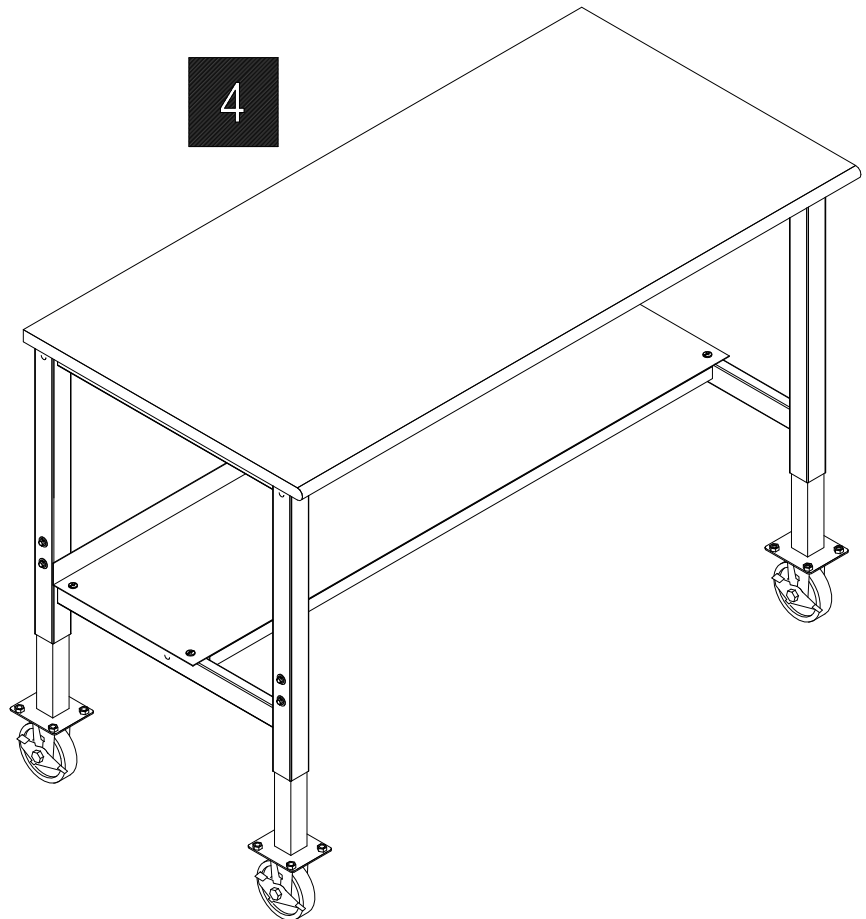
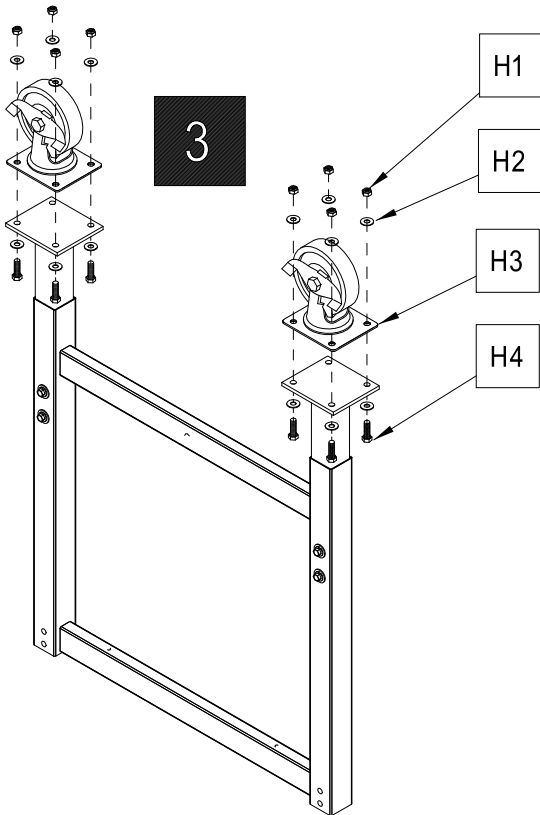
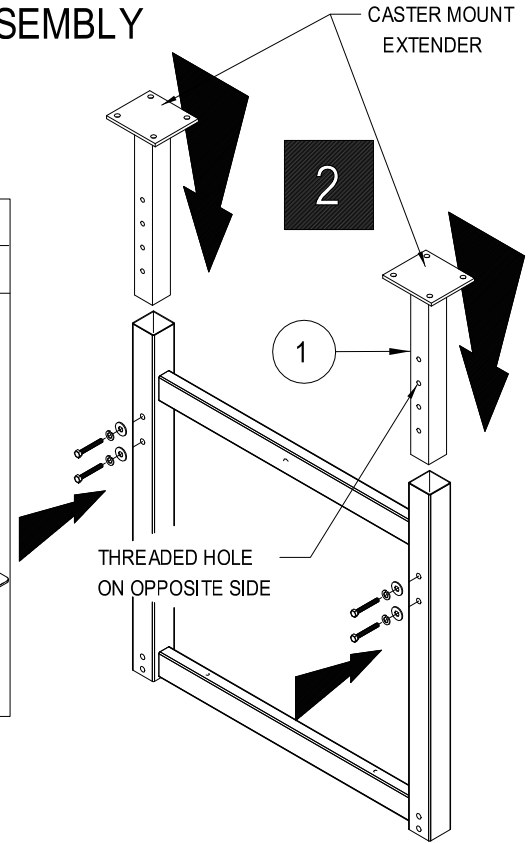


OPTIONAL CASTER MOUNT ASSEMBLY

ASSEMBLY INSTRUCTION



CONTENTS		
REF.	QTY.	DESCRIPTION
1	4	LEG EXTENDER
H1	16	
H2	32	
H3	4	
H4	16	



NOW THAT YOU HAVE ASSEMBLED THE NEW MOBILE LEG, FOLLOW THE BENCH ASSEMBLE INSTRUCTION PACKED WITH THE BENCH.

