



Patio Heater, Wall Mount,  
Infrared Black Panel  
***User Manual***  
Model 246719

Read this manual thoroughly prior to installation and operation.  
Keep these instructions in a safe location for future reference.  
For questions, visit [globalindustrial.com](http://globalindustrial.com) or contact Customer Service at 1-800-645-2986.

## **SAFETY INFORMATION**

**TO REDUCE RISK OF FIRE, ELECTRIC SHOCK, INJURY OR DAMAGE, READ AND FOLLOW ALL SAFETY PRECAUTIONS, OTHERWISE WARRANTY WILL BE VOIDED.**

**WARNING: To prevent overheating, keep the air inlets and outlets clean and free of anything that may cause blockage. Often check all inlets and outlets to ensure they are clear of any dirt or dust accumulation. DO NOT COVER.**

**WARNING: Parts of the heater may exceed 390°F, contact with the heating tube, reflector, or metal parts near the heating tube, may cause severe BURNS. DO NOT let bare skin touch hot surfaces. Switch off, unplug and allow the heater to completely cool off before making contact.**

**WARNING: If provided, use handles when moving this heater. Keep combustible materials, such as furniture, pillows, bedding, papers, clothes, and curtains at least 3 feet from the front of the heater and keep them away from the sides and rear.**

- DO NOT insert fingers or objects into any of the openings.
- DO NOT use this heater in the immediate surroundings of water (bath, shower, swimming pool, etc.).
- DO NOT touch this heater or its controls with wet hands.
- Keep all objects a minimum of 3-ft. away from the heater.
- DO NOT cover the heater, or put objects such as fabrics or combustible materials in contact with the heater.
- DO NOT allow children to play with the appliance. Keep children away unless continuously supervised.
- Ensure supply voltage does not exceed 245 volts.
- The use of these heaters is forbidden in any area where there is a presence of gases, explosives or inflammable objects.
- Neither the connecting cable nor any other object must come into contact with the heater.
- This heater should be switched off at the isolating switch before maintenance or repair work.
- Installation and repairs must be carried out by a qualified installer in accordance with current local electrical regulations.
- The heater must not be installed just below an electrical socket-outlet.
- Never touch the heater with wet or humid hands or while barefoot.
- DO NOT expose to direct rain/snowfall.
- The supply circuit must incorporate a double-pole isolating switch having a contact separation of at least 1/8".
- DO NOT operate if the power cord or plug is damaged, after a malfunction, or after the unit has been dropped or damaged in any manner. Disconnect power and have the heater inspected by a reputable electrician before reusing.
- Connect to properly grounded outlets only.

- It is important to maintain a minimum distance of 3-feet between the heater and curtains, or any other combustible materials that will be affected by the radiated heat.
- DO NOT touch the fireguard or reflecting cover when the heater is in use; do not insert any objects into the fireguard to prevent high temperature scalding.
- Heater for outdoor use only.
- Outdoor weatherproof outlet is recommended.
- NEVER leave the heater unattended while it is operating.
- DO NOT run cord under carpeting, throw rugs, runners, or similar coverings. Do not route cord under furniture or appliances. Arrange cord away from high traffic areas and where it will not be tripped over.
- DO NOT let the power cable hang over the edge of a table/counter or let it come in contact with hot surfaces.
- DO NOT use an extension cord.
- To disconnect heater, turn controls to off, then remove plug from outlet.
- Disconnect heater during installation and maintenance.
- NEVER place hands under the heating elements. ALWAYS allow heating element to cool at least 10 minutes before touching the heating tube or adjacent parts.
- The heater has hot and arcing or sparking parts inside. Do not use it in areas where gasoline, paint, or flammable liquids are used or stored.
- NEVER dismantle the components of the heater or replace with components not offered or recommended by Global Industrial.

## SPECIFICATIONS:

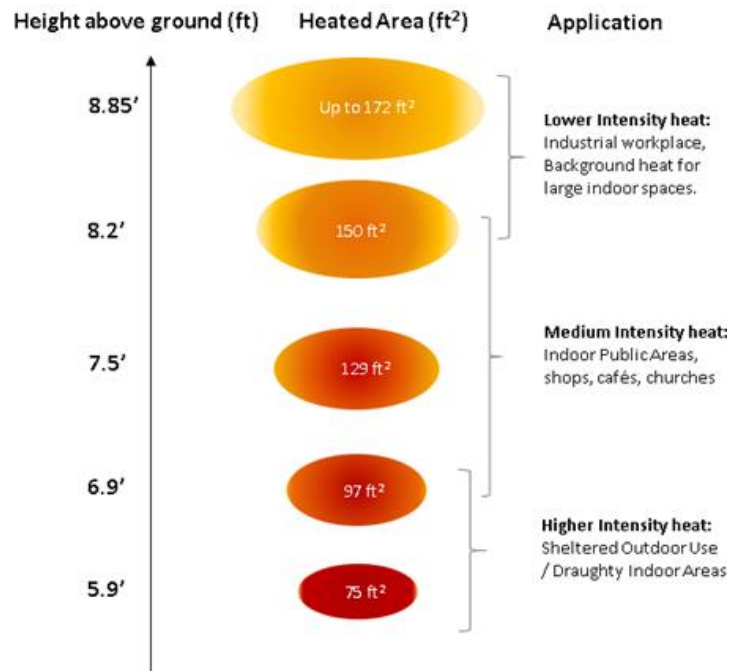
Model:	246719
Voltage:	208-240V
Wattage:	2000-2600W
Construction	Structured Aluminum
Application:	Outdoor
Current:	11A
Frequency:	60Hz
Warm-up Time:	< 10 Minutes
Features:	Medium and High Power Levels 0-24 Hour Timer (1 hour increments)
Wavelength Length:	3 - 10µm
Protection:	IP65
Warranty	2 Years
Certification:	ETL
Dimensions:	59"L x 6-3/8"W x 1-3/4"H
Weight:	19 lbs.
Cord Length:	6 ft.

This heater is rated to be mounted outdoors, but must be installed where it will be sheltered from the effects of weather. DO NOT expose to direct rain or snowfall

## Mounting Position

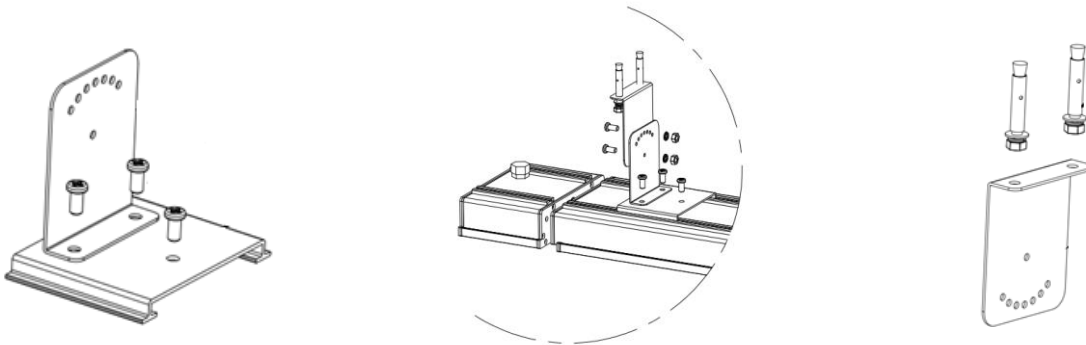
The Carbon Infrared Sole Heater must be installed paying special attention to the minimum clearances stated in these instructions. The heater must be mounted on a rigid fixture; ideally on a ceiling directly above the area to be heated. If this is not possible, the heater can be mounted on a wall and angled downwards.

Recommended installation height should be between 83" to 106" from the floor. DO NOT install the unit less than 71" from the floor. In all cases it should be installed at a height where it cannot be touched during operation.



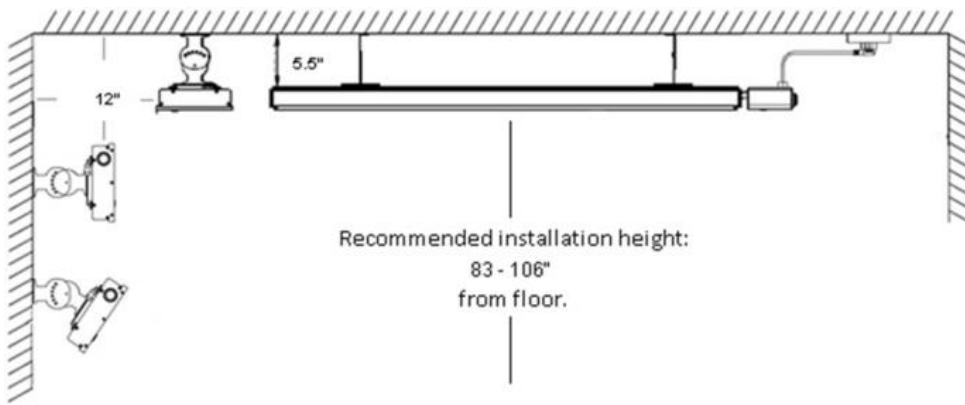
**NOTE:** Wall/ceiling mount swivel brackets and accessories are included with the heater which has been specifically designed to allow this product to be fitted to a wall or ceiling with adequate clearances (5.5") at the back of the unit. The sides and ends of the heater must be positioned at least 12" away from the nearest wall or other surface.

## Installation:



### Mounting Hardware Includes:

- 4 x Bracket Pieces - Fit together to form 2 brackets with central pivot
- 4 x Bolts with Expansion Plugs - For mounting brackets onto ceiling or wall
- 2 x Slider Plates - Fit into grooves on rear of heater
- 4 x Small Bolts – For attaching the brackets onto slider plates
- 4 x Small Bolts with Nuts – To form the pivot on the brackets
- 2 x Screws - To clamp the slider plate in position on the heater

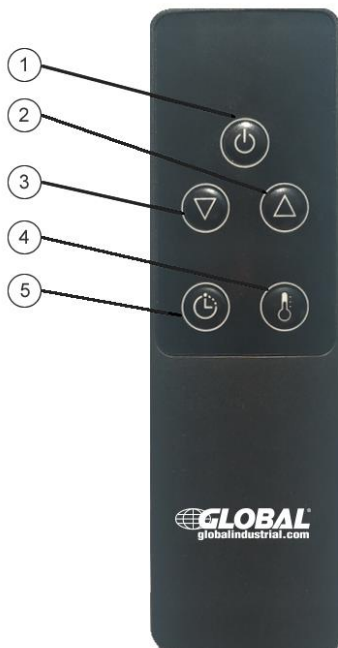


## CAUTION:

- Turn power supply off before installation.
- Make sure the power supply cable does not contact the top surface of the heater during operation.
- Heater must not be located immediately below a socket outlet. Electrical connections must be made outside of the footprint of the unit to avoid heat build-up. If the heater is to be mounted on an incline (e.g. sloping roof), ensure the electrical connection is located below the lowest end of the heater.
- Joists, beams and rafters shall not be cut or notched to install the appliance.
- This heater is not intended for ceiling-recessed installation.
- The identification mark and model reference should be visible after installation.
- DO NOT install facing or close to any combustible material.
  - The fixed wiring insulation coming into contact with parts with a temperature rise of greater than 122°F must be protected, for example, by sleeving having an appropriate temperature rating.

## REMOTE CONTROL:

Insert 2 x AAA Alkaline batteries (not included) into the remote control .



## Remote Control Functions:

1. **Power Button:** Turns heater on/off.
2. **Up Button:** Increase heat level or timer hours.  
When heater is off, this button turns heater on at low heat level.
3. **Down Button:** Decreases heat level or timer hours  
When heater is off, this button turns heater on at high heat level.
4. **Heat Level Button:** Press to enable heat level adjustment; then press “up” or “down” buttons to choose either high or low heat level.
5. **Timer Button:** Press to enable timer adjustment; then press “up” or “down” buttons to set the timer from 00 – 24 hours.

**Note:** All 246719 Global Industrial heater remote controls have the same frequency, so it is possible to control several heaters with just one remote.

## **Safety & Energy-Saving Protection:**

- If a heater is left on continuously for a week (168 hours), the heater will automatically turn off and then must be restarted.
- This heater is equipped with an overheat switch which will cut power to the heater if it senses overheat in the electronics. Allow the unit to cool down for 15 minutes before attempting to restart.

## **Initial Use:**

Before first use, ensure the emissive (front) surface is free of fingerprints and other contamination before turning on heater for the first time. There may be an odor or vapor from the heater on initial use or if heater has not been used for an extended period of time. This is normal.

## **Maintenance:**

**WARNING:** Turn off the heater and allow it to cool completely before any maintenance.

- The heater may be wiped-down with a clean damp cloth.
- DO NOT use abrasive detergents solvents or citrus-based cleaners to clean the heater.
- In marine or other corrosive environments, gently spray the unit with clean water.
- After cleaning, it is advised to warm the heater for 10 to 20 minutes to dry the unit and prevent staining.



For additional questions or concerns, contact Global Industrial Customer Service at 1-800-645-2986 or visit [www.globalindustrial.com](http://www.globalindustrial.com)