

Read this manual thoroughly prior to installation and operation. Keep these instructions in a safe location for future reference. For questions, visit globalindustrial.com or contact Customer Service at 1-800-645-2986.

SAFETY INFORMATION

TO AVOID RISK OF SERIOUS INJURY OR DAMAGE, READ AND FOLLOW ALL SAFETY PRECAUTIONS, OTHERWISE WARRANTY WILL BE VOIDED.

WARNING: To prevent overheating, keep the air inlets and outlets clean and free of anything that may cause blockage. Often check all inlets and outlets to ensure they are clear of any dirt or dust accumulation. **DO NOT COVER.**

WARNING: Parts of the heater may exceed 390°F, contact with the heating tube, reflector, or metal parts near the heating tube, may cause severe **BURNS. DO NOT** let bare skin touch hot surfaces. Switch off, unplug and allow the heater to completely cool off before making contact.

WARNING: If provided, use handles when moving this heater. Keep combustible materials, such as furniture, pillows, bedding, papers, clothes, and curtains at least 3 feet from the front of the heater and keep them away from the sides and rear.

- DO NOT touch the heater while in operation. The surface of this heater will get extremely hot; parts may exceed 390°F. Switch off and allow the heater to completely cool off before making contact.
- DO NOT insert fingers or objects into any of the openings.
- Keep all objects a minimum of 3-ft. away from the heater.
- DO NOT cover the heater, or put objects such as fabrics or combustible materials in contact with the heater.
- DO NOT allow children to play with the appliance. Keep children away unless continuously supervised.
- Check that the voltage in the rating label fits the power supply.
- The use of these heaters is forbidden in any area where there is a presence of gases, explosives or inflammable objects.
- Neither the connecting cable nor any other object must come into contact with the heater.
- This heater should be switched off at the isolating switch before maintenance or repair work.
- Installation must be carried out by a qualified installer in accordance with current local electrical regulations.
- The heater must not be installed just below an electrical socket-outlet.
- Never touch the heater with wet or humid hands or while barefoot.
- DO NOT expose heater to rain/snowfall.
- The supply circuit must incorporate a double-pole isolating switch having a contact separation of at least 1/8".
- DO NOT use if power cable is damaged.
- This appliance must be properly grounded.
- DO NOT sit or lean on the table or heater.
- It is important to maintain a minimum distance of 3-feet between the heater and curtains, or any other

combustible materials that will be affected by the radiated heat.

- DO NOT touch the fireguard or reflecting cover when the heater is in use; do not insert any objects into the fireguard to prevent high temperature scalding.
- Heater is for outdoor use only.
- Outdoor weatherproof outlet is recommended.
- NEVER leave the heater unattended while it is operating.
- DO NOT let the power cable hang over the edge of a table/counter or let it come in contact with hot surfaces.
- DO NOT use an extension cord.
- Disconnect heater during installation and maintenance.
- NEVER rotate the heating part of the appliance during operation. To change the location of the heater, wait for 15 minutes after the appliance has been switched off.
- NEVER dismantle the components of the heater or replace with components not offered or recommended by Global Industrial.

SPECIFICATIONS:

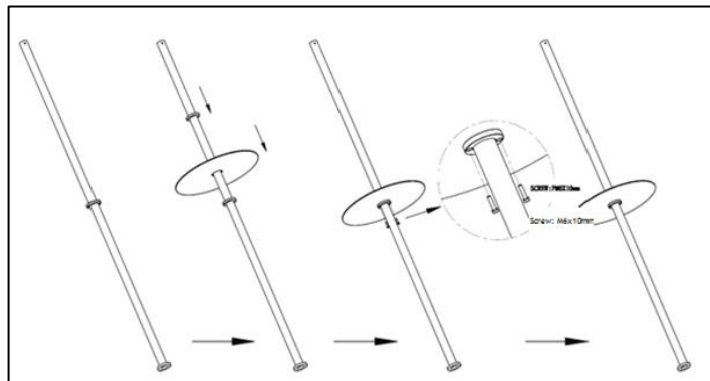
Model	246717
Power:	1500W
Voltage:	110-120V
For Use:	Outdoor
Dimensions:	19-3/4"L x 19-3/4"W x 81-3/4"H
Weight:	27.5 lbs.
Cord Length:	6 ft.

INSTALLATION

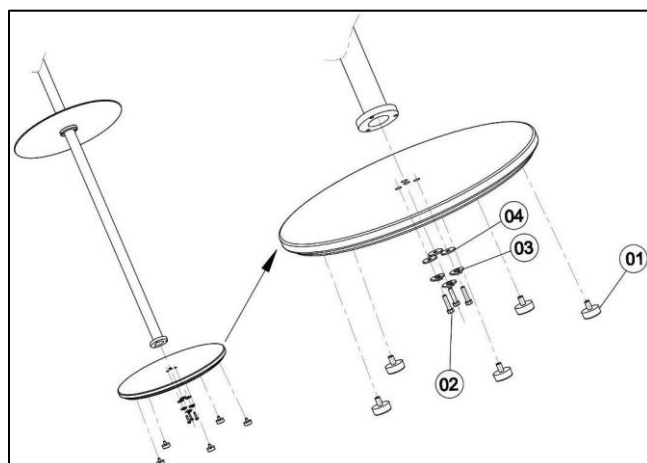
Hardware Included:

Ref.	Description	Qty.
01	Base Pad	5
02	Hex Screw	3
03	Split Lock Washer	3
04	Large Washer	3

- **Step 1:**
Assemble the table to
the stand



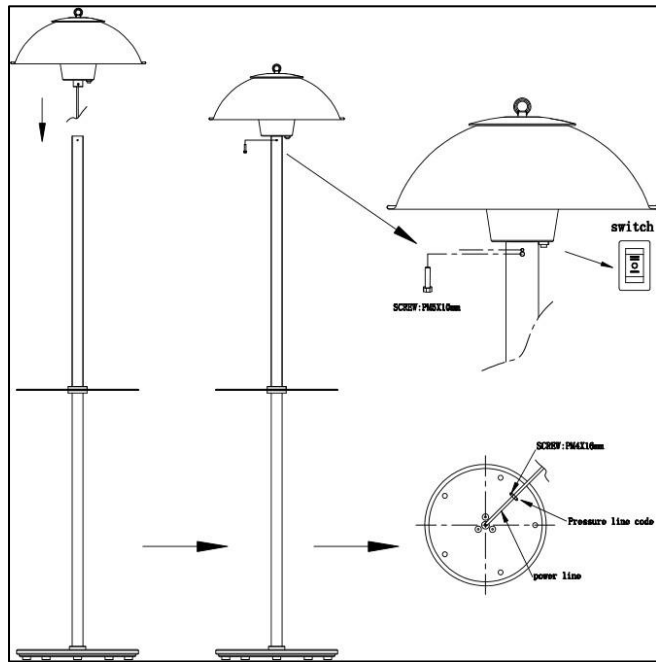
- **Step 2:**
Assemble the base to
the stand using the
provided hardware



- **Step 3:**
Assemble the heater head to the stand.

Switch Functions:

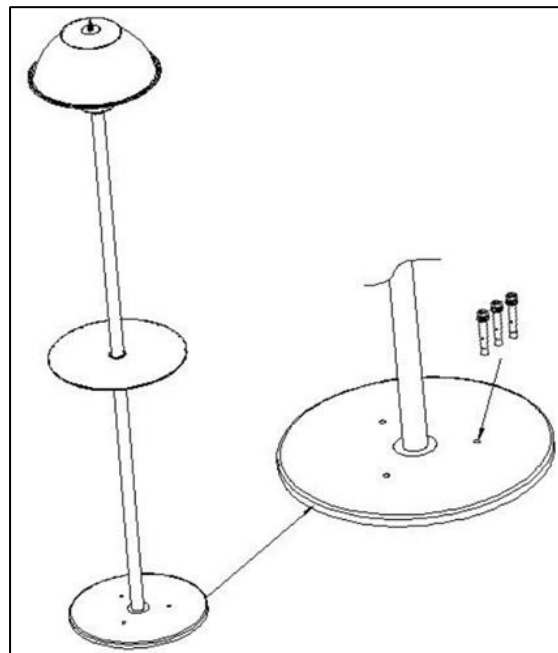
- O:** Power ON/OFF
- I:** 50% power
- II:** 100% Power



- **Step 4:**
Mount base to the floor.

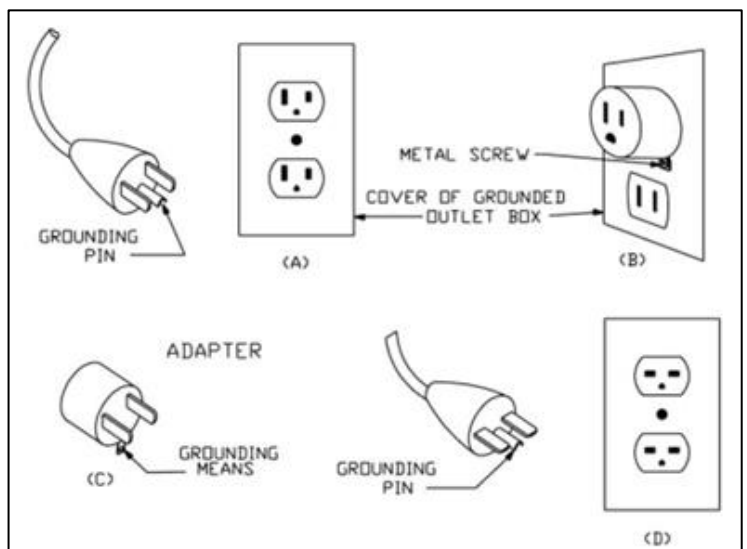
This unit is designed to be installed on a finished floor surface capable of supporting 200 lbs.

Secure base to the floor using appropriate anchor hardware.



Grounding Methods:

This heater is for use on 120 volts. The cord has a plug with grounding pin as shown in Figure A. If needed, an adapter is available for connecting three-prong grounding-type plugs to two-slot receptacles (as seen in Figure C). The green grounding lug extending from the adapter must be connected to a permanent ground such as a properly grounded outlet box. The adapter should not be used if a three-slot grounded receptacle is available.



Note: The heater features an automatic shut-off function if the unit exceeds a 45° tilt.

Note: Periodic inspection and removal of dirt and contaminants will ensure that equipment can be operated safely.

CLEANING AND MAINTENANCE

- ALWAYS disconnect and allow the heater to cool off before cleaning.
- Clean and dust with a dry, soft cloth only.
- DO NOT use solvents or abrasive products for cleaning.

Warning: When the appliance is not operated for a long period of time, cleaning or maintenance is conducted or when transporting, ALWAYS turn off and unplug the heater from the electrical connection.



The symbol on the product or in its packaging indicates that this heater may not be treated as household waste. Instead it shall be handed over to the applicable collection point for the recycling of electrical and electronic equipment. By ensuring this product is disposed of correctly, you will help prevent potential negative consequences for the environment and human health, which could otherwise be caused by inappropriate waste handling of this product. For more detailed information about recycling of this product, please contact your local city office, your household waste disposal service or the shop where you purchased the product.



For additional questions or concerns, contact Global Industrial
Customer Service at 1-800-645-2986 or visit www.globalindustrial.com