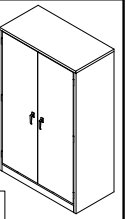


Model : 603355 TN/GY/BK (36x18x78)
 603581 TN/GY/BK (36x18x78)
 257917 TN/GY/BK (36x18x78)

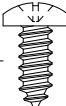


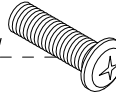
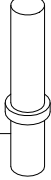


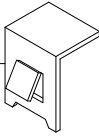
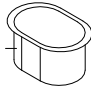
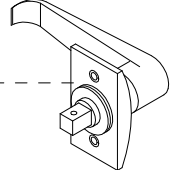
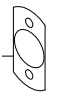

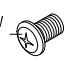


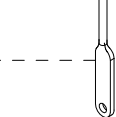
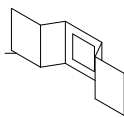
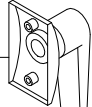
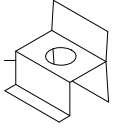
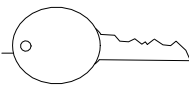


www.globalindustrial.com
 1-800-645-2986
 INDUSTRIAL STORAGE CABINET
 ASSEMBLY INSTRUCTION

Model 603357



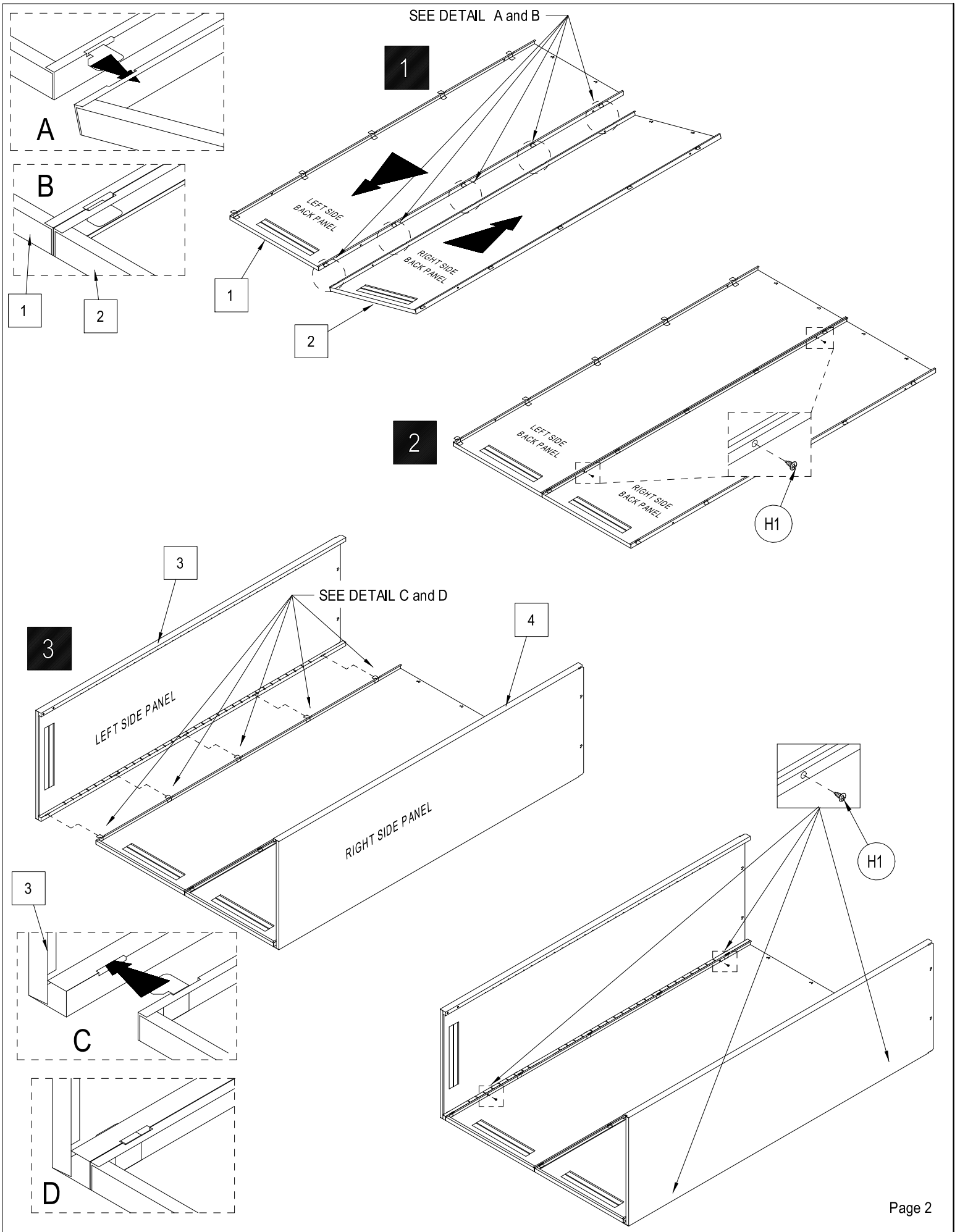
CONTENTS

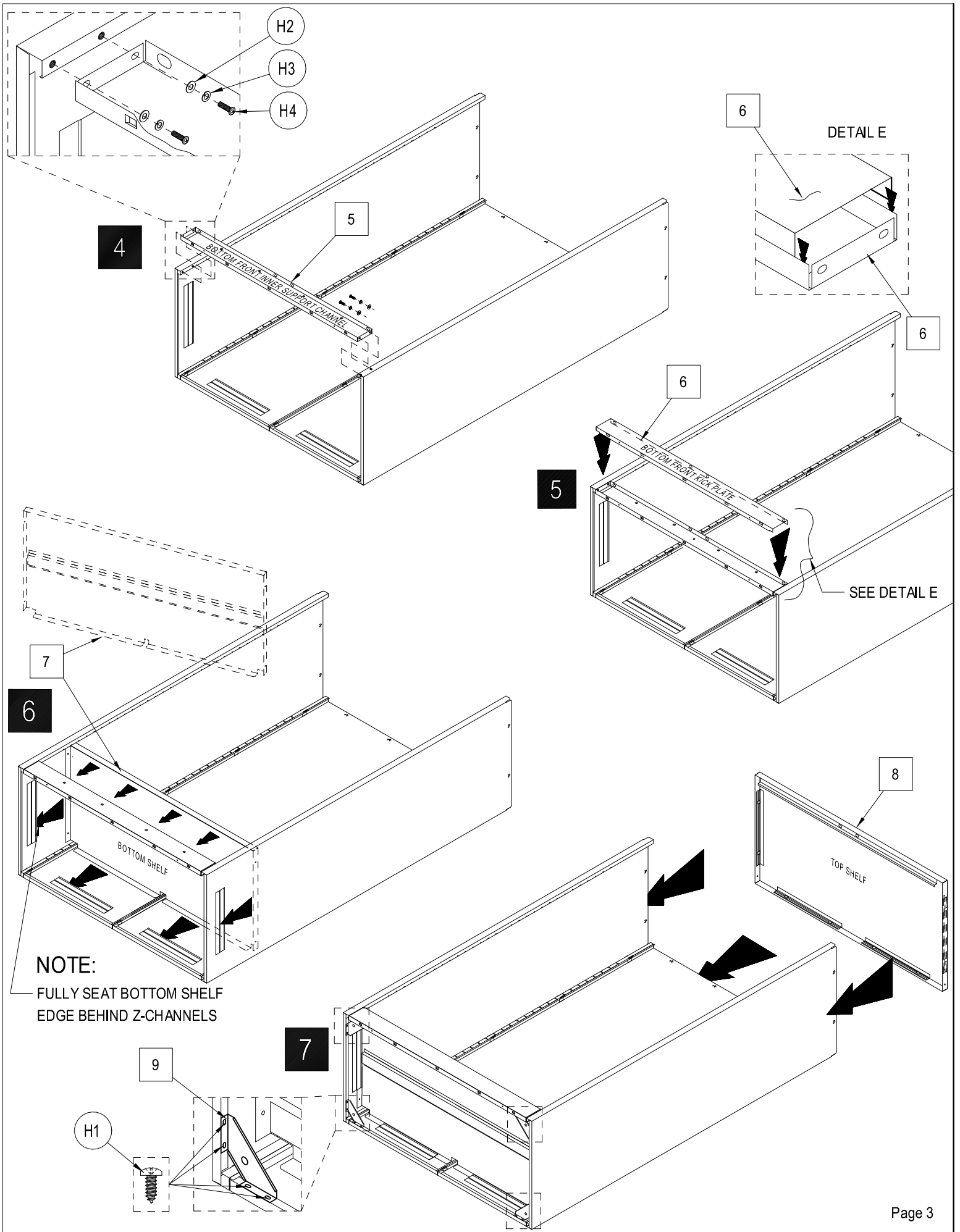
REF.	QTY.	DESCRIPTION	REF.	QTY.	DESCRIPTION
1	1	LEFT SIDE BACK PANEL	H1	22	SHEET METAL 
2	1	RIGHT SIDE BACK PANEL	H2	4	6.5 PLAIN WASHER 
3	1	LEFT SIDE PANEL	H3	4	5.25 mm SPLIT WASHER 
4	1	RIGHT SIDE PANEL	H4	4	M6 x 19 mm ROUND PHILLIP HEAD SCREW 
5	1	BOTTOM FRONT INNER SUPPORT CHANNEL	H5	6	HINGE PIN 
6	1	BOTTOM FRONT KICK PLATE	H6	2	BUMPER 
7	1	BOTTOM SHELF	H7	12	PLASTIC HINGE CAP 
8	1	TOP SHELF	H8	16	SHELF CLIP 
9	4	GUSSET REINFORCEMENT PLATE	H9	6	PLASTIC INSERT 
10	1	LEFT DOOR	H10	1	RIGHT HAND DOOR HANDLE 
11	1	RIGHT DOOR	H11	2	BACK PLATE 
12	4	SHELF	H12	4	5.5mm SPLIT WASHER 
			H13	4	M5 x 8mm ROUND PHILLIP HEAD SCREW 
			H14	1	COTTER PIN 
			H15	1	LOCK LATCH 
			H16	2	LOCKING ROD 
			H17	1	LOCKING BRACKET 
			H18	1	LEFT HAND DOOR HANDLE 
			H19	2	ROD GUIDE 
				2	KEY 

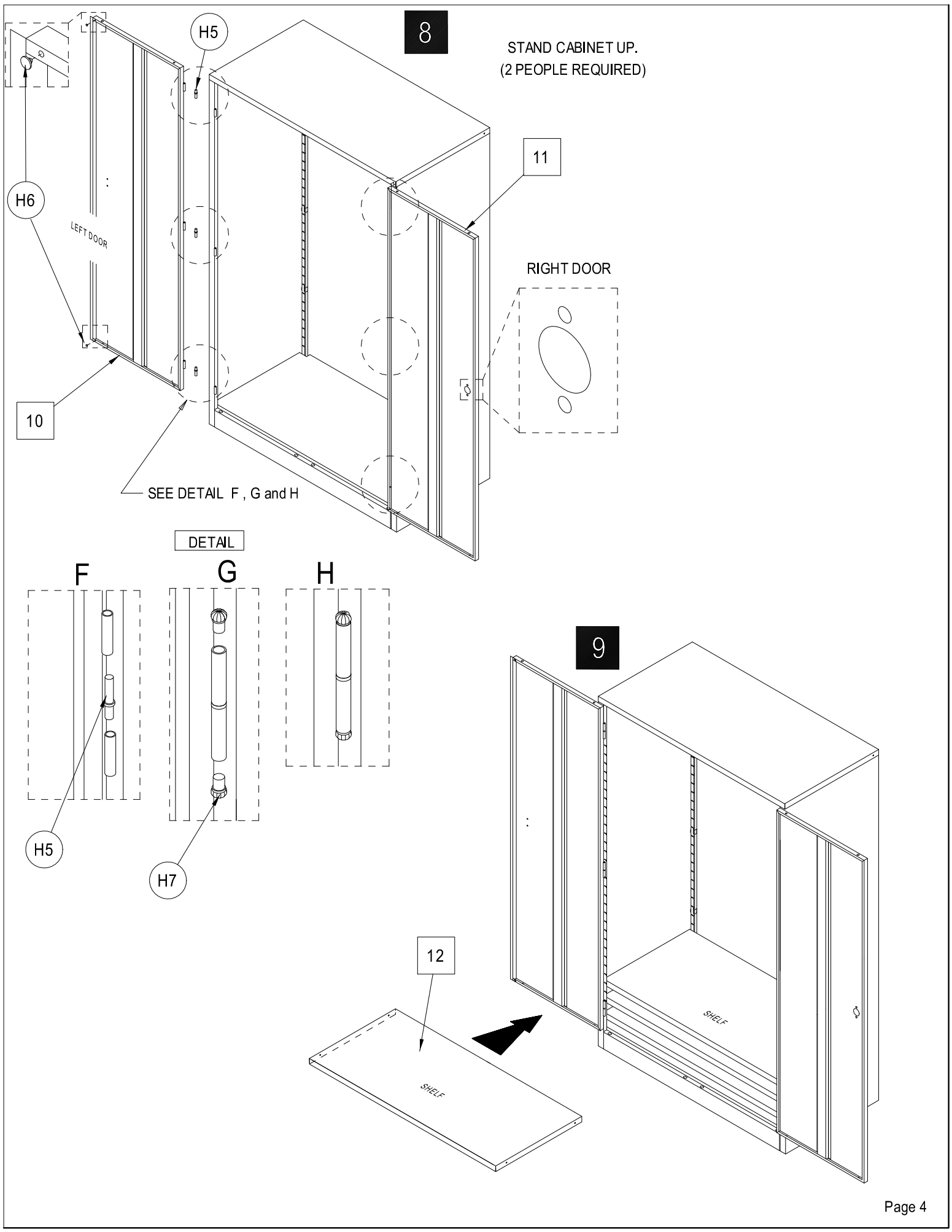


WARNING.

1. USE 2 PEOPLE TO ASSEMBLE.
2. LAY PARTS ON SOFT SMOOTH NON-SCRATCH SURFACE.
3. DO NOT OVERLOAD SHELVES.
4. LOAD LOWER SHELVES FIRST.
5. DO NOT CLIMB OR STAND ON SHELVES.







H

10

SHELF

SEE DETAIL H and I

H8

I

11

SEE LOCK ASSEMBLY DETAILS.

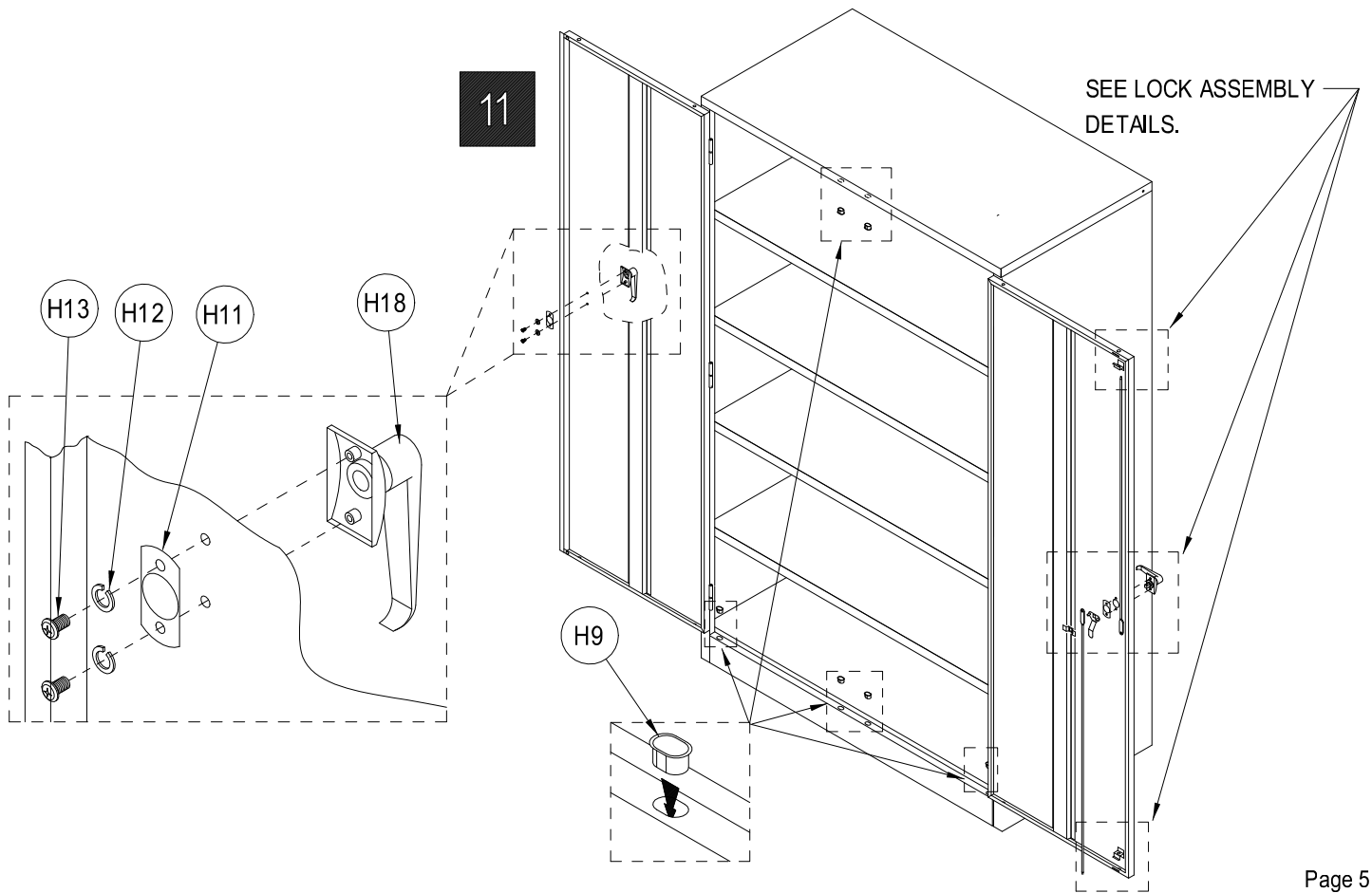
H13

H12

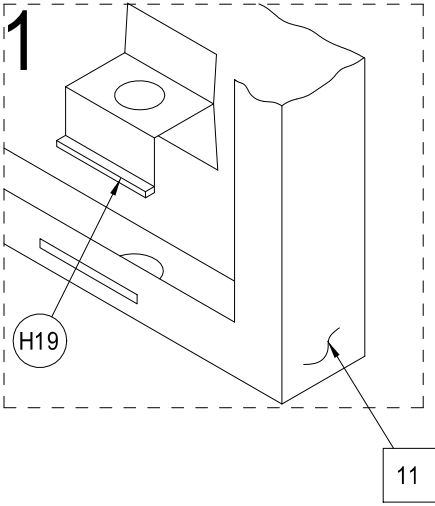
H11

H18

H9



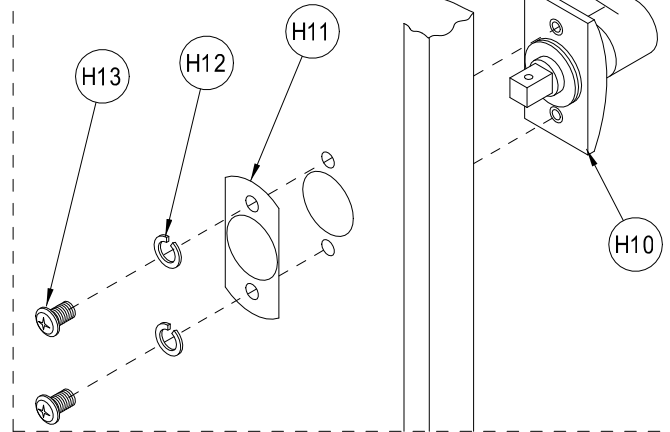
LOCK ASSEMBLY



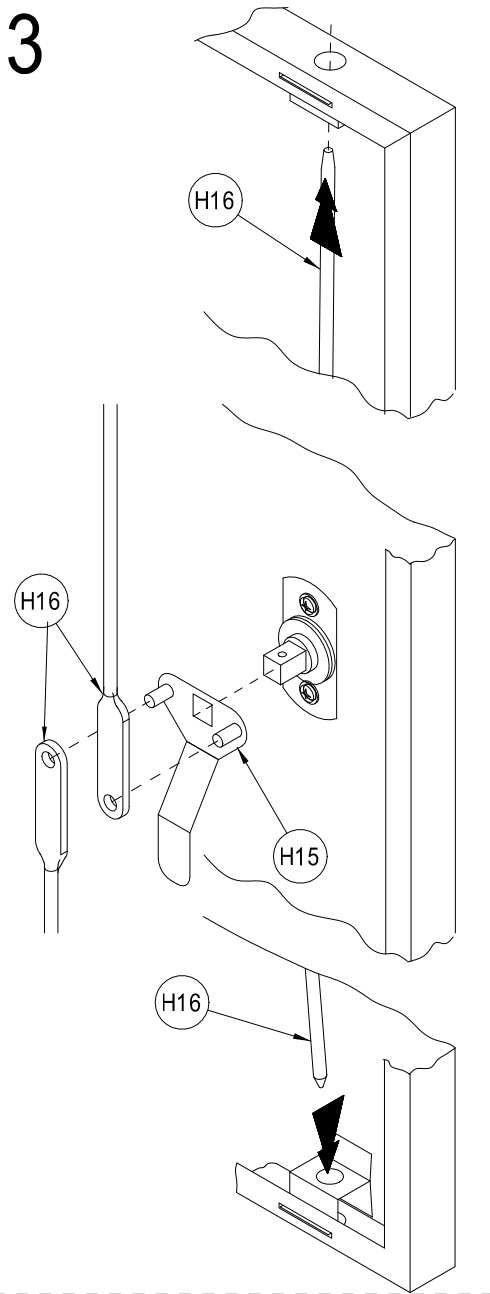
RIGHT DOOR ROD
ASSEMBLY

2

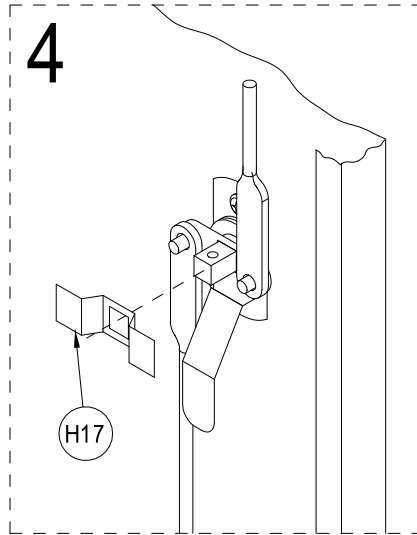
NOTE:
PUT HANDLE IN THIS POSITION



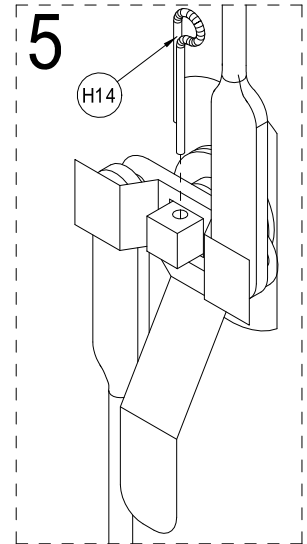
3



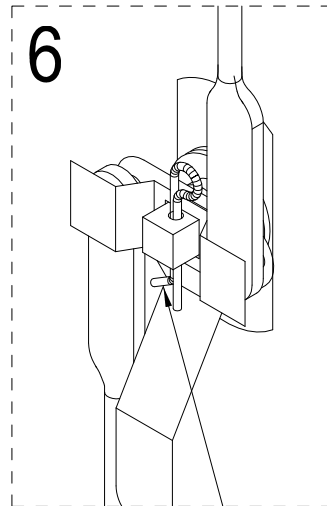
4



5



6



BEND 1 LEG OF
COTTER PIN WITH PLIERS.