

CONTENTS

REF.	QTY.	DESCRIPTION
1	1	RIGHT SIDE TRACK SUPPORT
2	1	LEFT SIDE TRACK SUPPORT
3	1	RIGHT TRACK
4	1	LEFT TRACK
5	1	DESK TOP
6	1	BACK PANEL
7	1	RIGHT SIDE PANEL
8	1	LEFT SIDE PANEL
9	1	BACK SUPPORT STRINGER
10	1	FRONT SUPPORT STRINGER
11	1	PIGEON HOLE ORGINIZER
12	1	DRAWER



www.globalindustrial.com

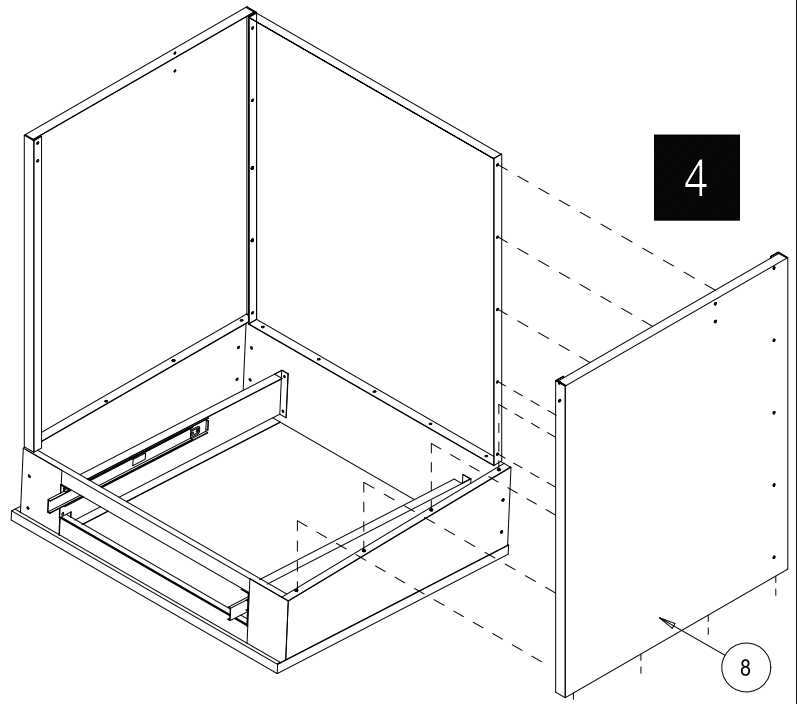
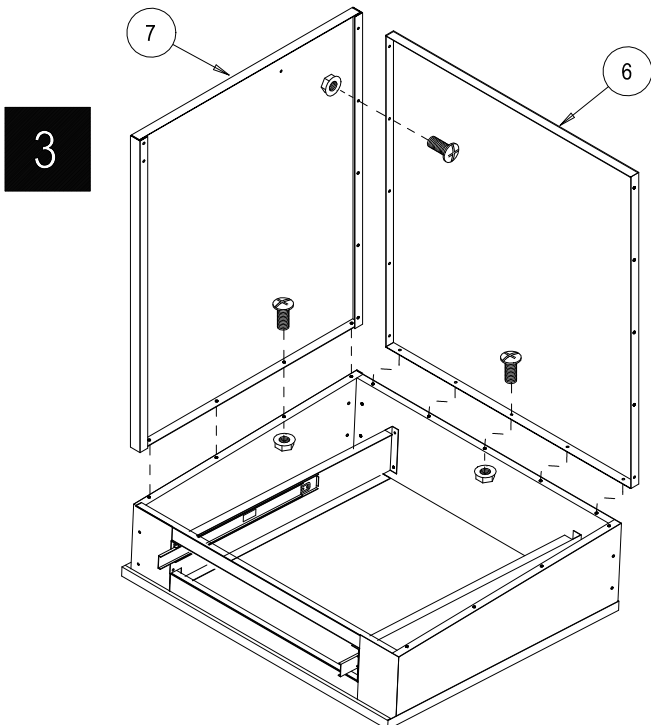
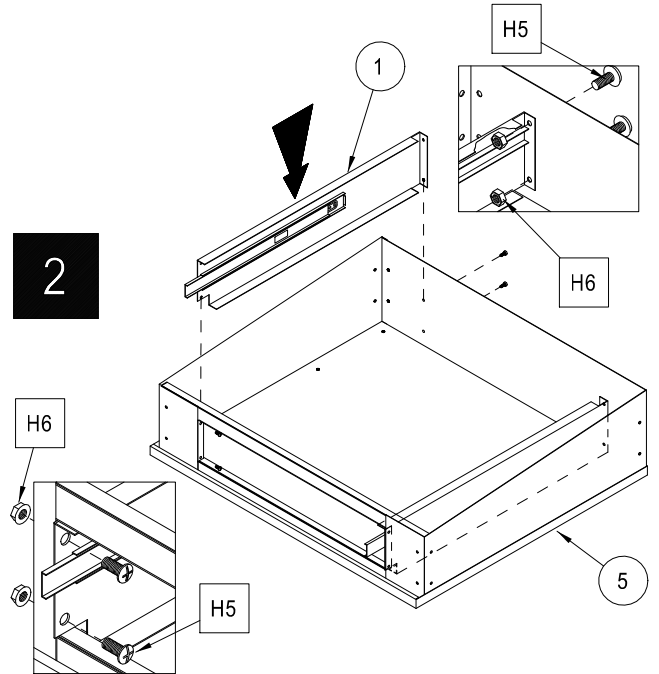
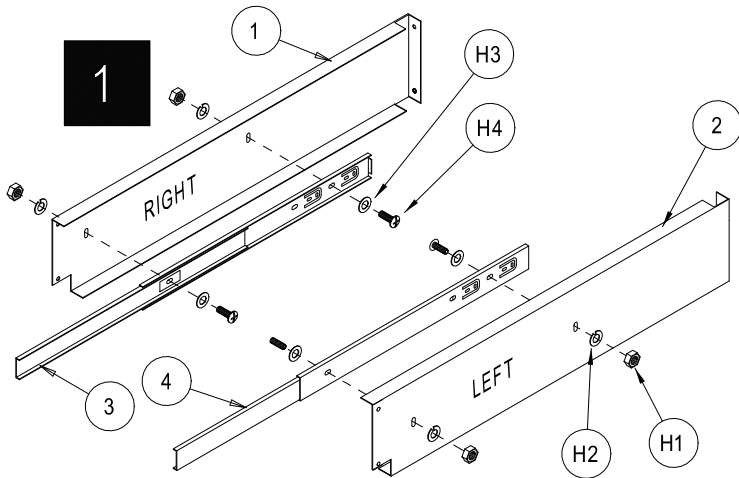
1-800-645-2986

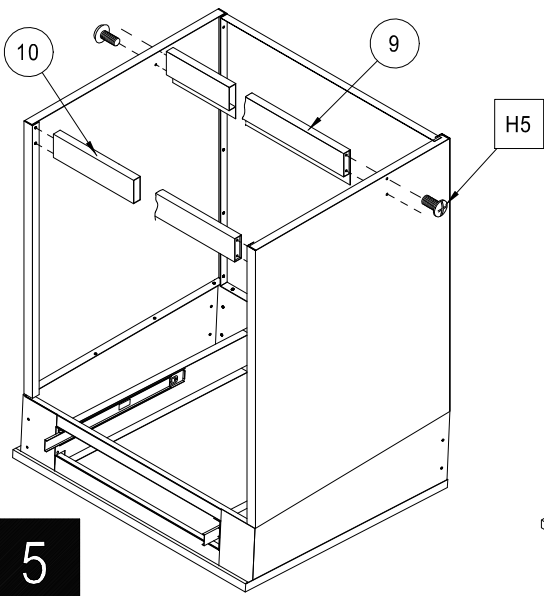
PEDESTAL SHOP DESK

ASSEMBLY INSTRUCTION

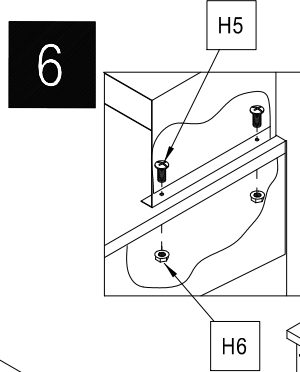
CONTENTS

REF.	QTY.	DESCRIPTION
H1	4	
H2	4	
H3	4	
H4	4	
H5	42	
H6	42	

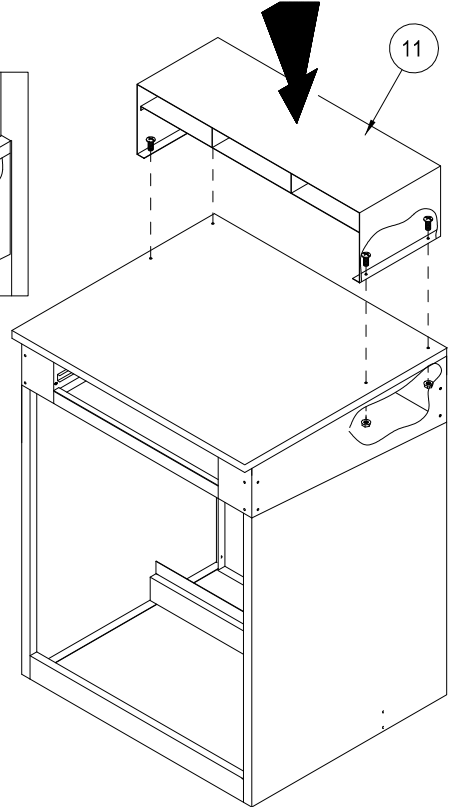




5

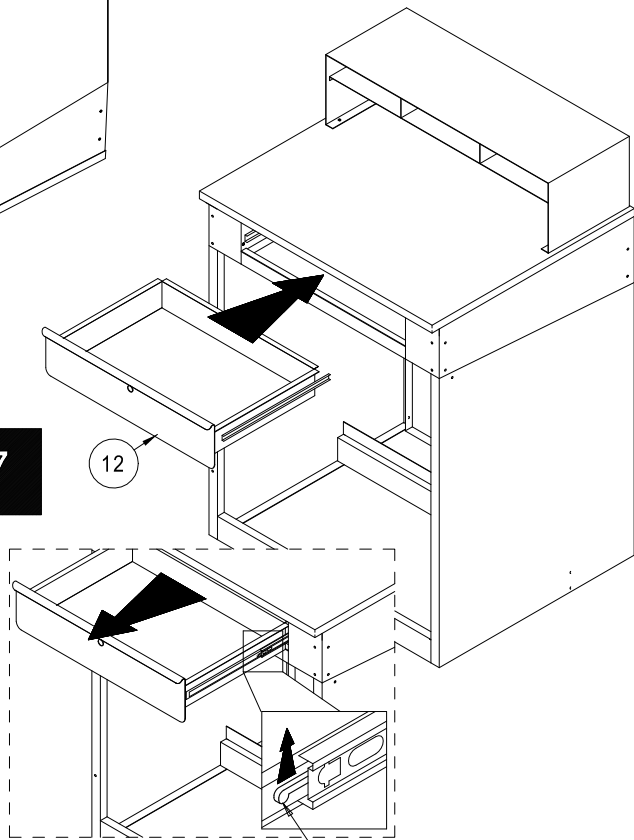


6



11

7

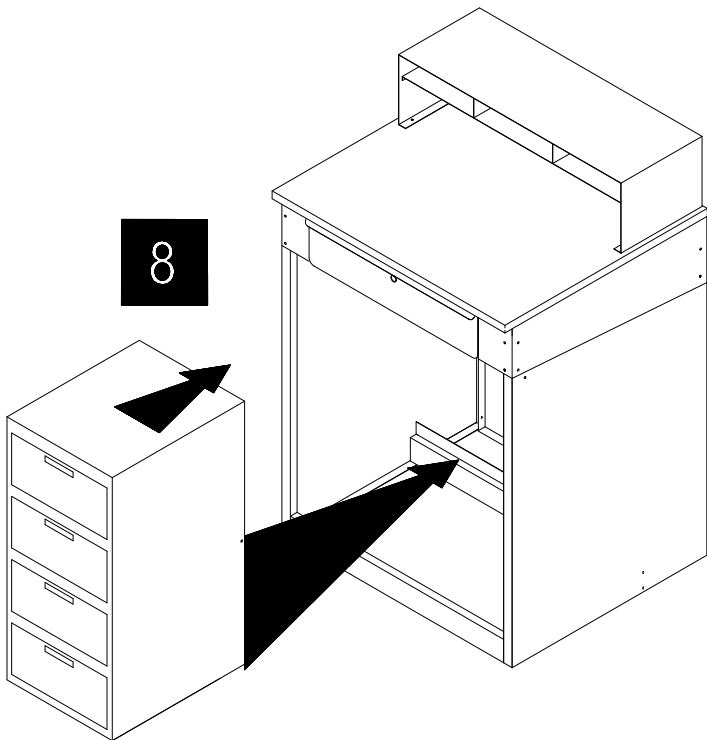


12

RIGHT TAB

NOTE:
TO REMOVE DRAWER
PUSH DOWN ON RIGHT TAB,
PULL UP ON LEFT TAB.

8



9

