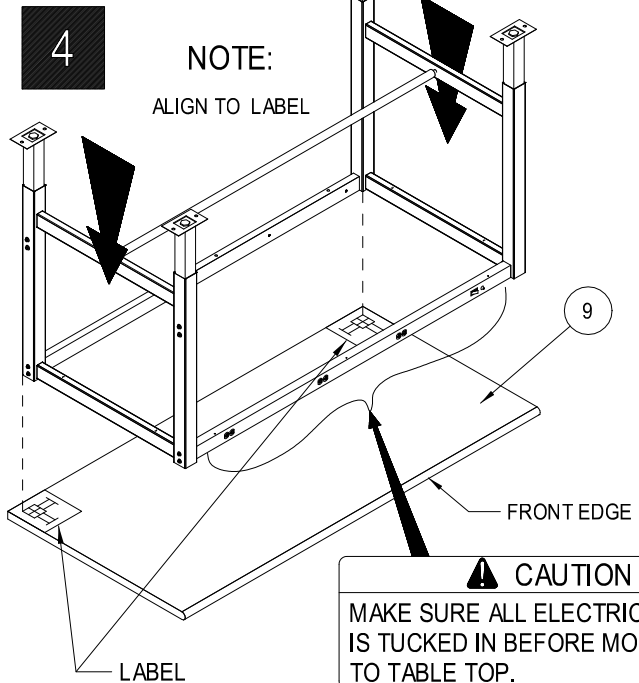
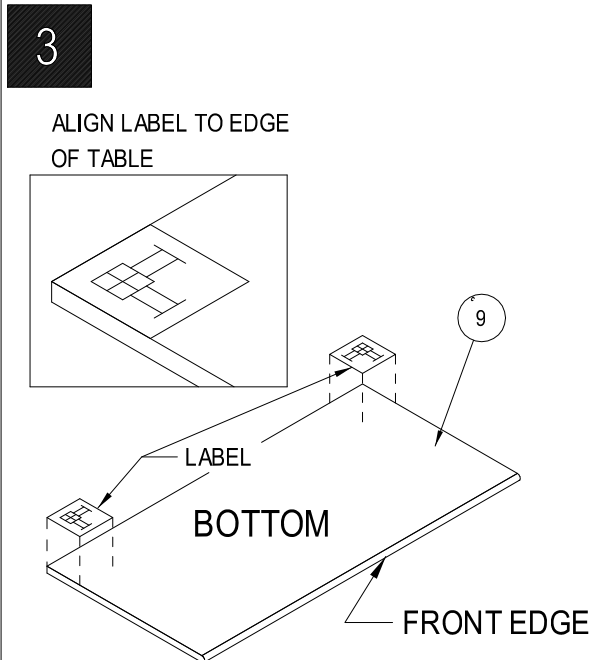
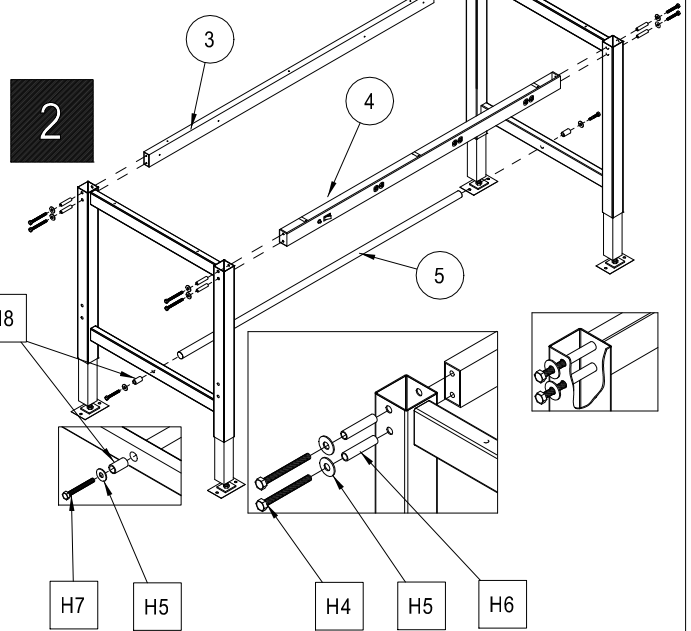
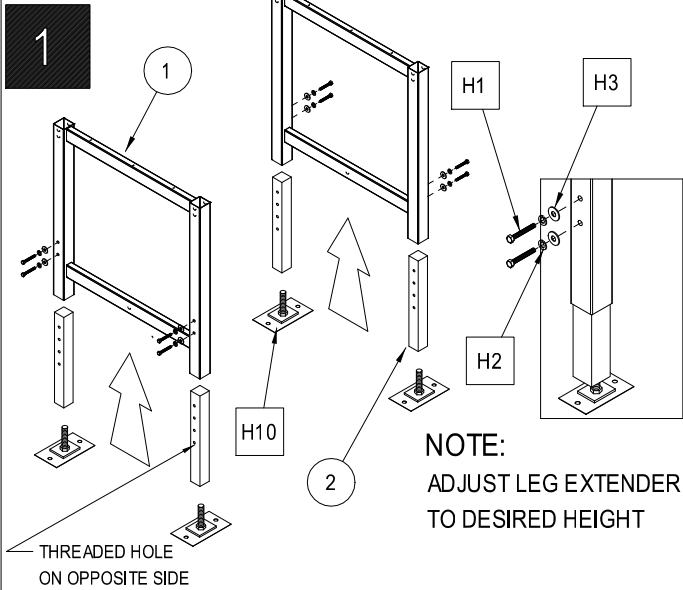
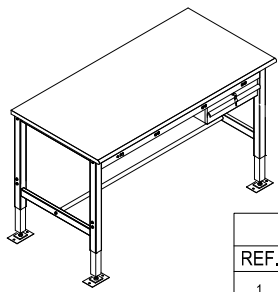


PHENOLIC POWER APRON BENCH WITH
OPTIONAL DRAWER

ASSEMBLY INSTRUCTION

CONTENTS

REF.	QTY.	DESCRIPTION	REF.	QTY.	DESCRIPTION	REF.	QTY.	DESCRIPTION
1	2	LEG	9	1	TOP	H9	4	
2	4	LEG EXTENDER	H1	8		H10	4	
3	1	STRINGER	H2	8		H11	4	
4	1	OUTLET STRIP	H3	8		H12	4	
5	1	FOOT REST	H4	8		H13	4	
OPTIONAL DRAWER			H5	14		H14	8	
6	2	OPTION 1 DRAWER SUPPORT	H6	8		H15	1	# 29 DRILL BIT
7	1	OPTION 2 DRAWER ENCLOSURE	H7	2		H16	1	15/64 DRILL BIT
8	1	OPTION 3 DRAWER	H8	2			1	

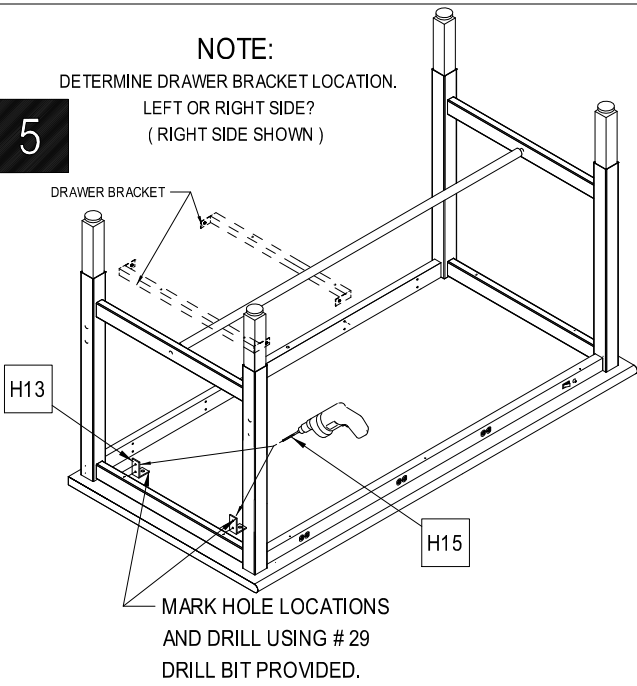


CAUTION
MAKE SURE ALL ELECTRICAL WIRE
IS TUCKED IN BEFORE MOUNTING
TO TABLE TOP.

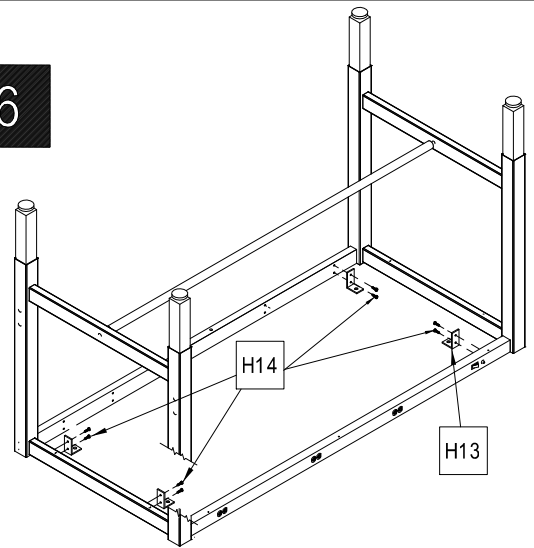
NOTE:

DETERMINE DRAWER BRACKET LOCATION.
LEFT OR RIGHT SIDE?
(RIGHT SIDE SHOWN)

5



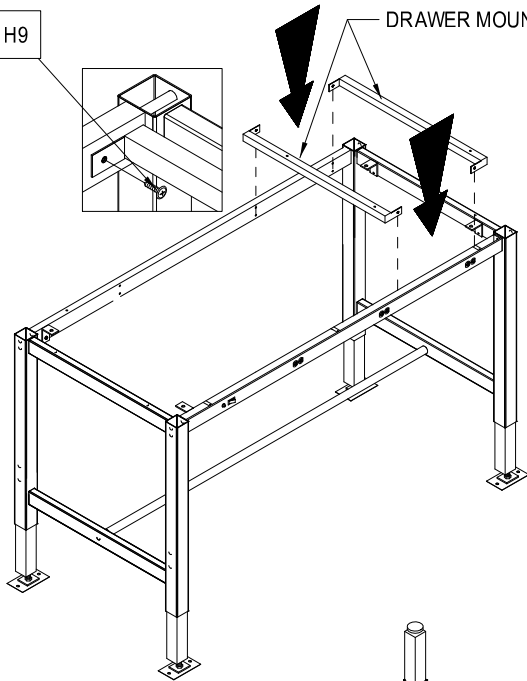
6



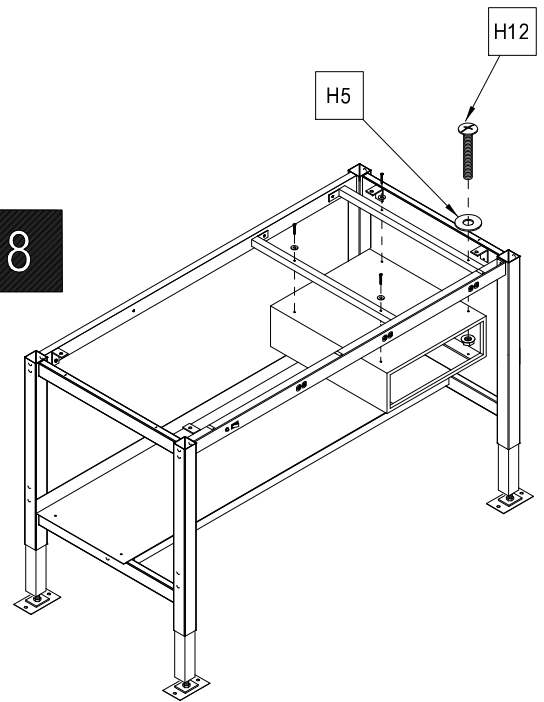
H9

DRAWER MOUNT BRACKETS.

7

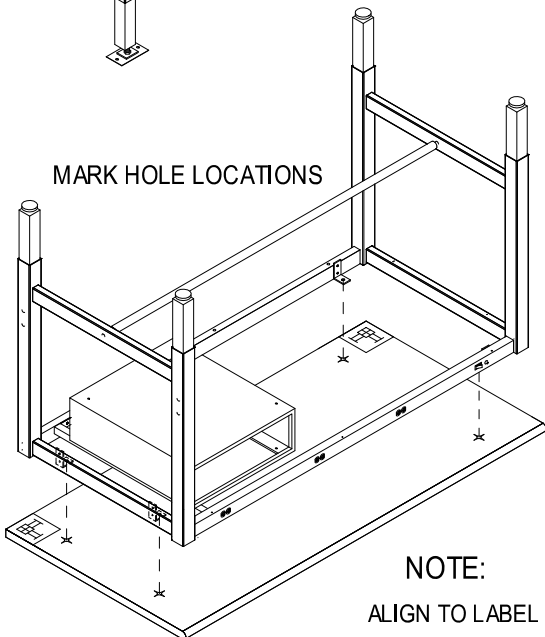


8



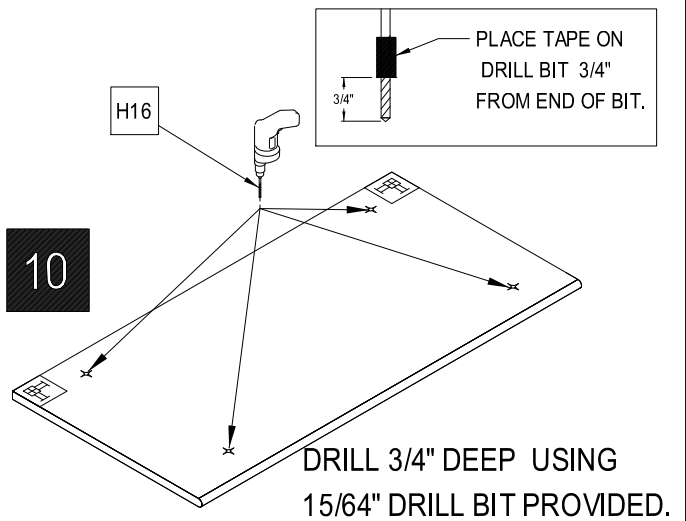
9

MARK HOLE LOCATIONS



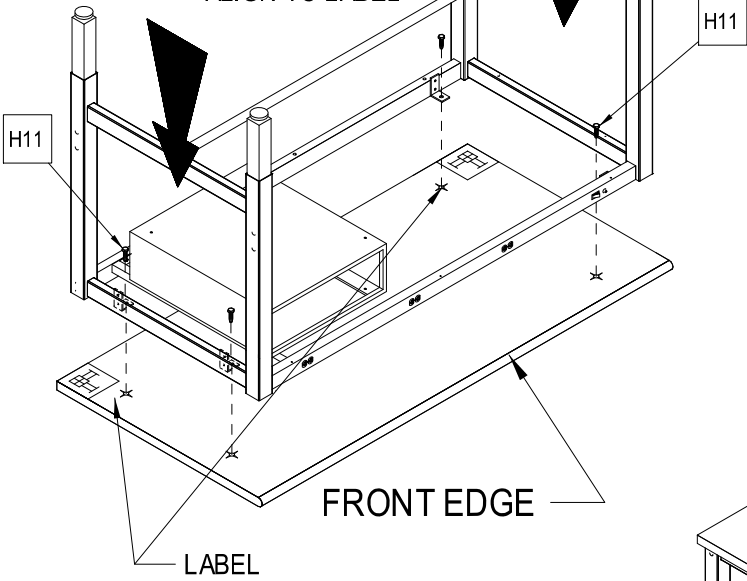
PLACE TAPE ON
DRILL BIT 3/4"
FROM END OF BIT.

10

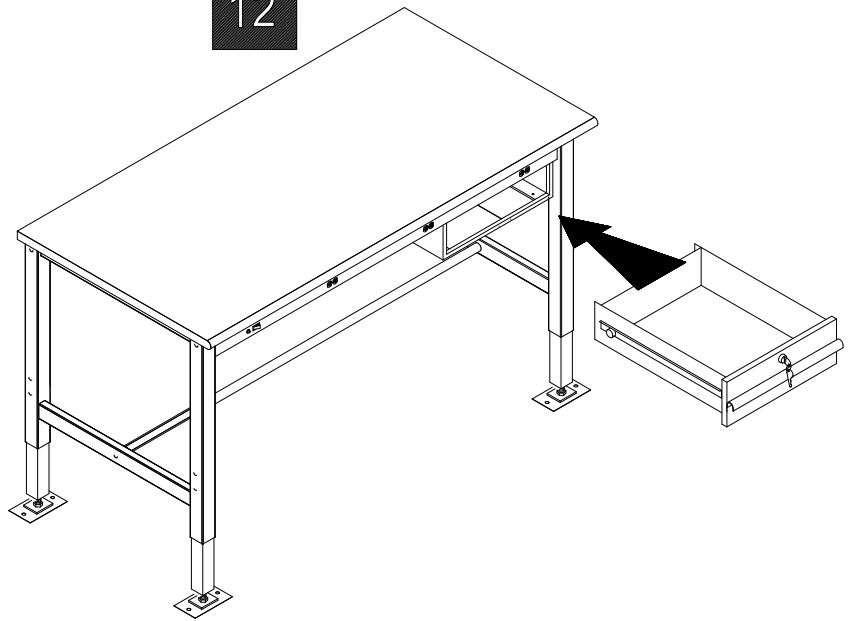


11

NOTE:
ALIGN TO LABEL



12



13

PLASTIC CLIP

