

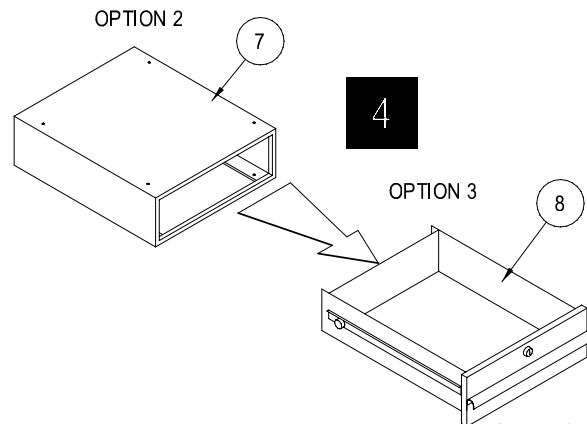
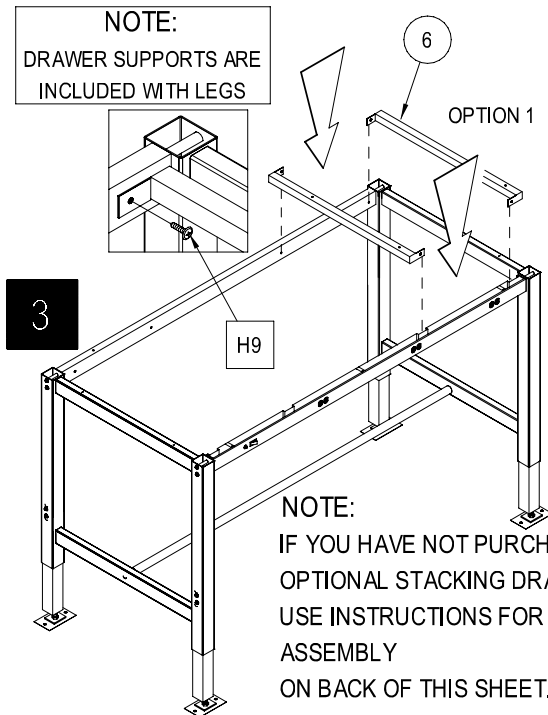
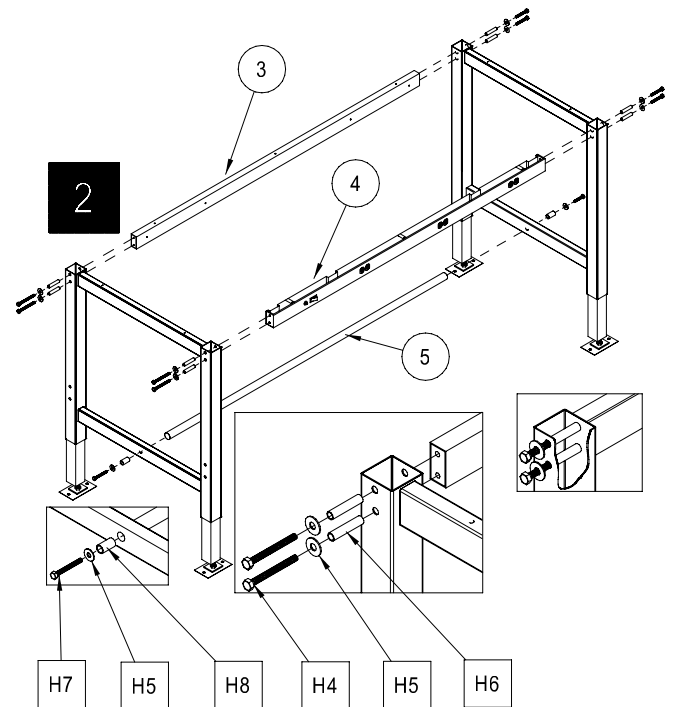
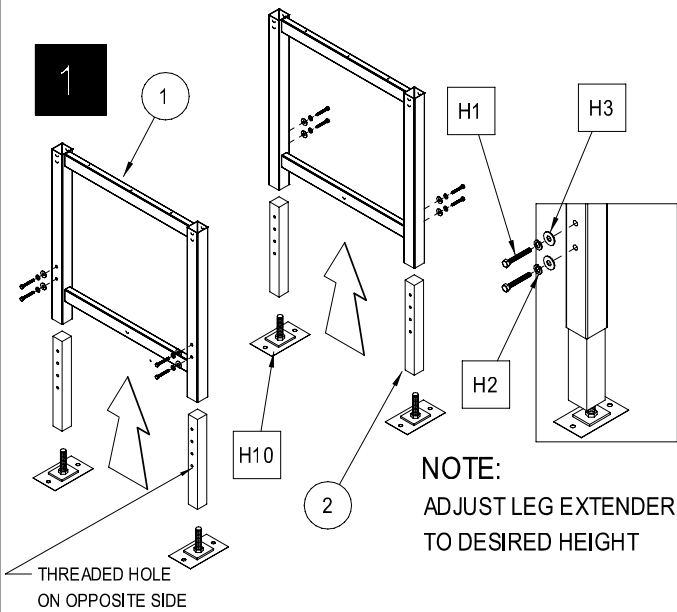
www.globalindustrial.com
1-800-645-2986

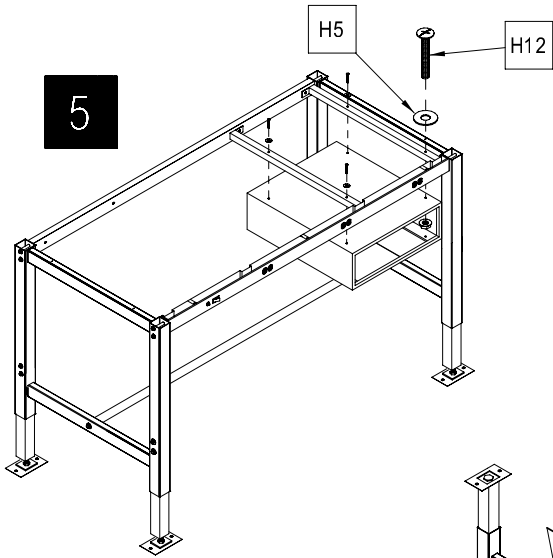
ADJUSTABLE HEIGHT WORKBENCH WITH ELECTRICAL STRINGER OPTIONAL DRAWER

ASSEMBLY INSTRUCTION

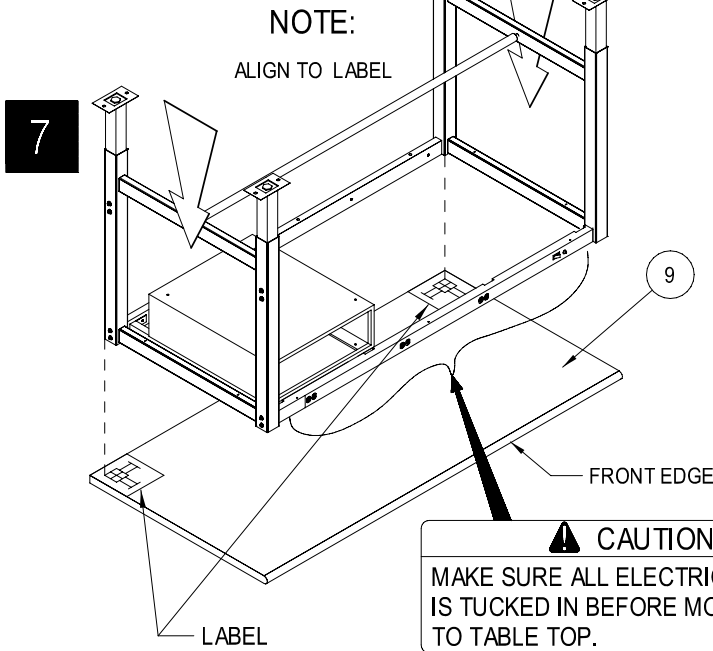
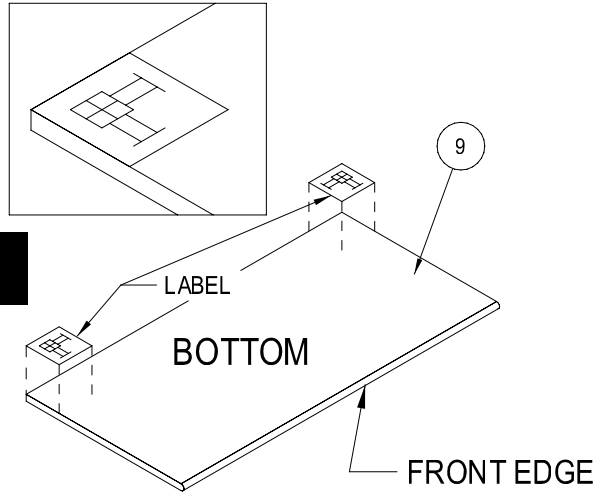
CONTENTS

REF.	QTY.	DESCRIPTION	REF.	QTY.	DESCRIPTION	REF.	QTY.	DESCRIPTION
1	2	LEG	9	1	TOP	H8	2	
2	4	LEG EXTENDER	H1	8		H9	4	
3	1	STRINGER	H2	8		H10	4	
4	1	OUTLET STRIP	H3	8		H11	10	
5	1	FOOT REST	H4	8		H12	4	
OPTIONAL DRAWER			H5	14			1	
6	2	OPTION 1 DRAWER SUPPORT	H6	8				
7	1	OPTION 2 DRAWER ENCLOSURE	H7	2				
8	1	OPTION 3 DRAWER						

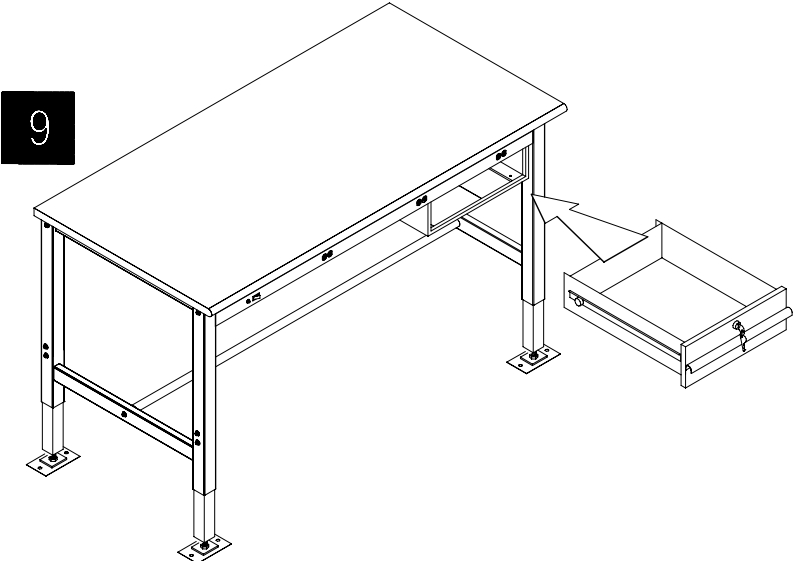
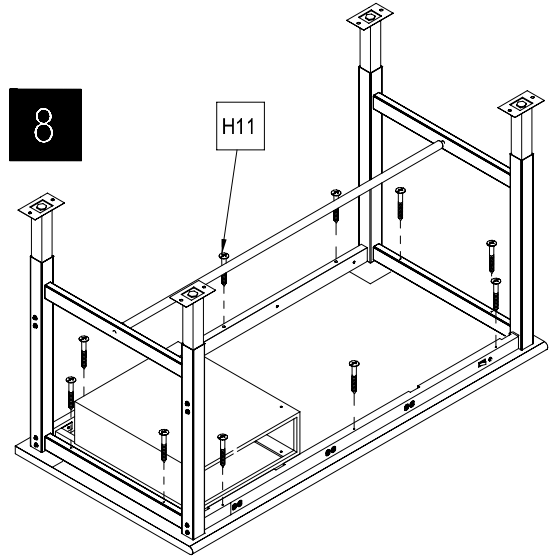




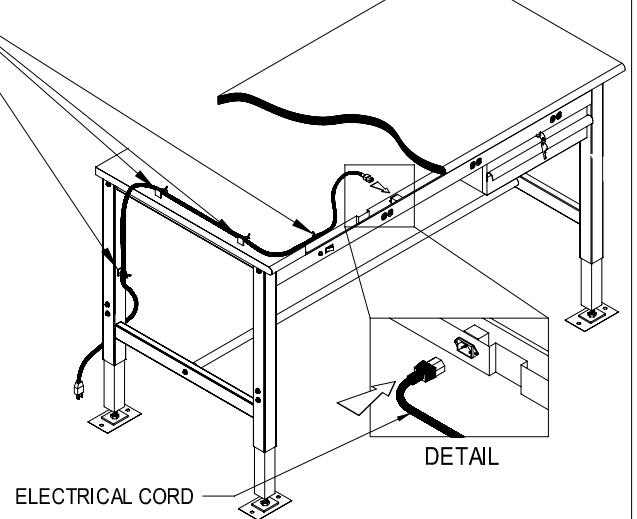
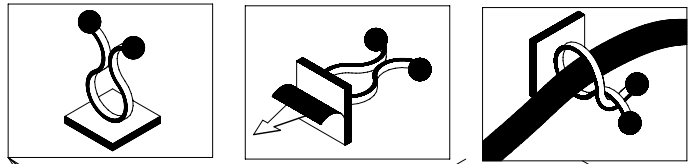
ALIGN LABEL TO EDGE OF TABLE



CAUTION
MAKE SURE ALL ELECTRICAL WIRE IS TUCKED IN BEFORE MOUNTING TO TABLE TOP.

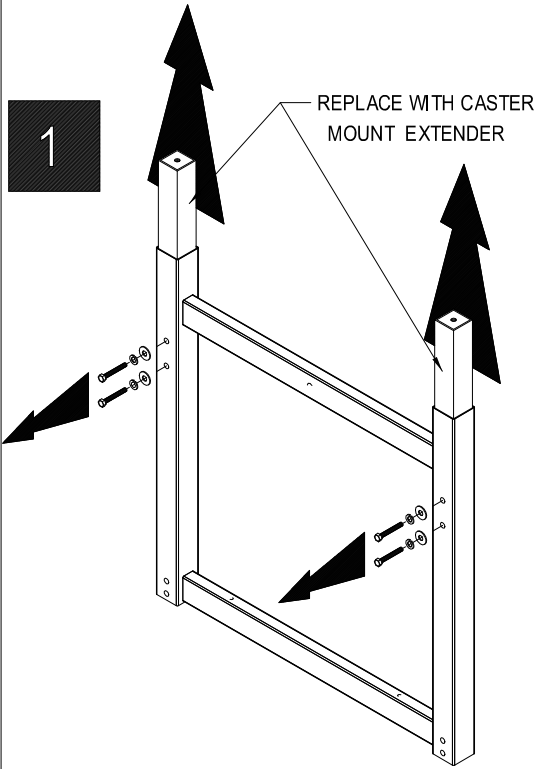




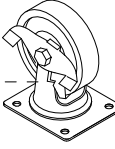
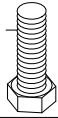
PLASTIC CLIP

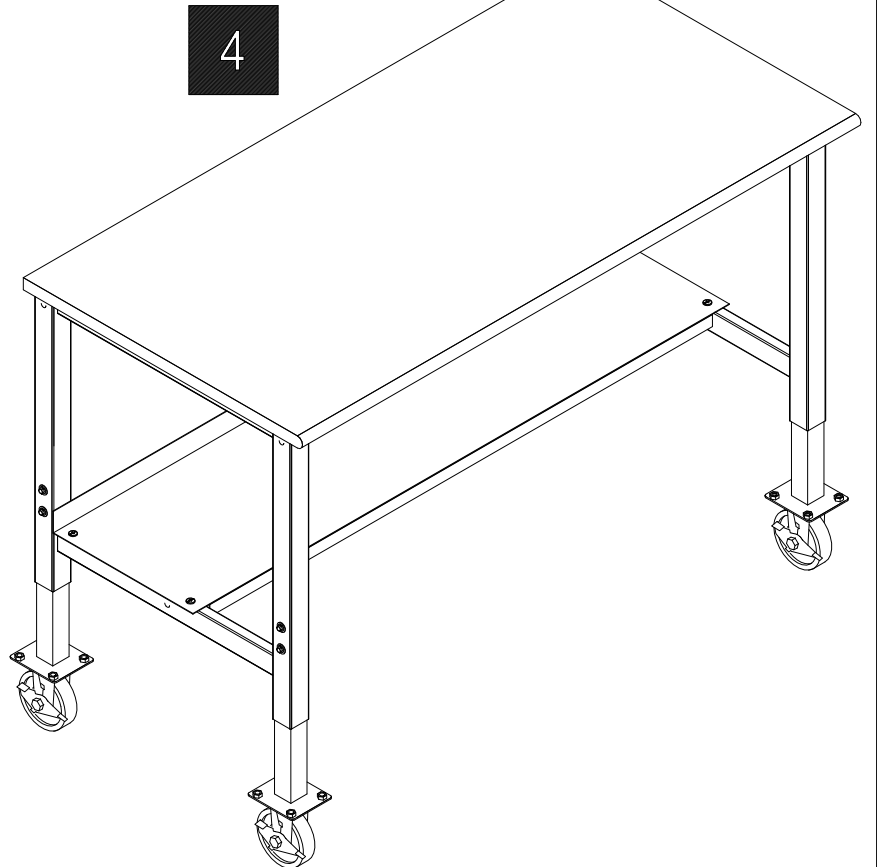
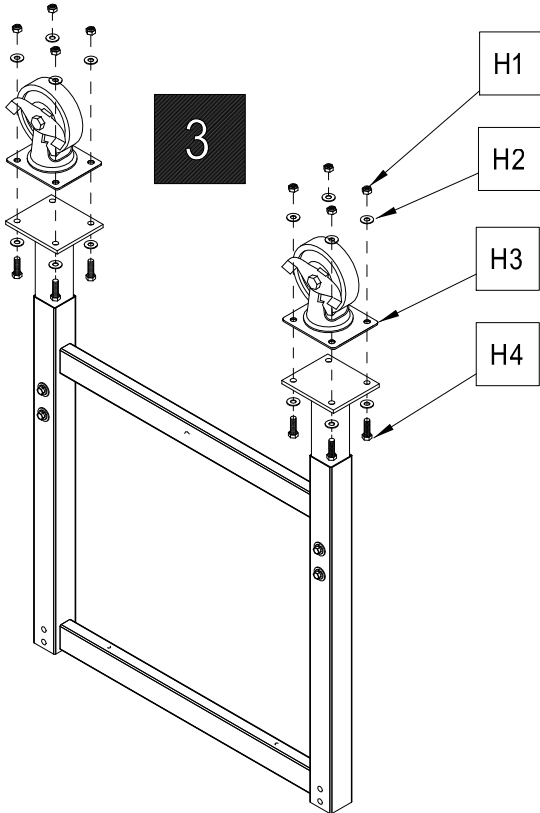
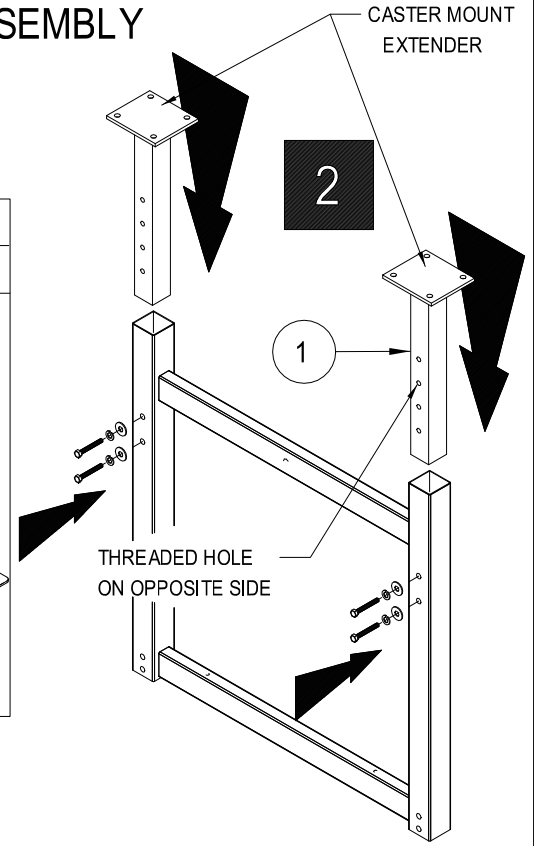


OPTIONAL CASTER MOUNT ASSEMBLY

ASSEMBLY INSTRUCTION



CONTENTS		
REF.	QTY.	DESCRIPTION
1	4	LEG EXTENDER
H1	16	
H2	32	
H3	4	
H4	16	



NOW THAT YOU HAVE ASSEMBLED THE NEW MOBILE LEG, FOLLOW THE BENCH ASSEMBLE INSTRUCTION PACKED WITH THE BENCH.