

User's manual

Customer Service
US: 1-800-645-2986

Manual del usuario

Servicio de atención al Cliente
US: 1-800-645-2986

Manuel de l'utilisateur

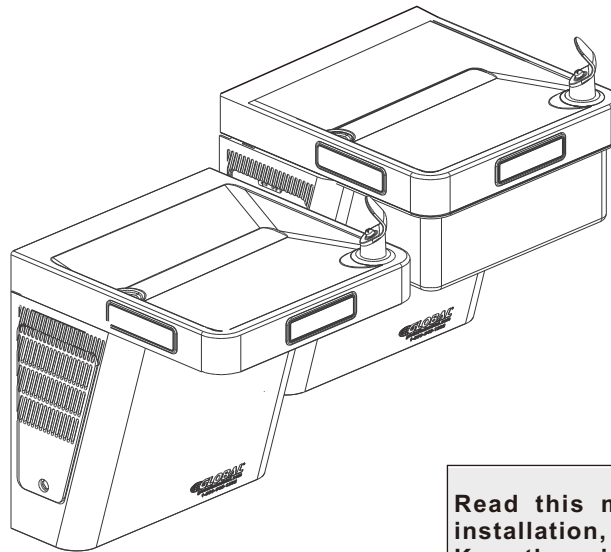
Service à la clientèle
Canada: 888-645-2986

Bi-Level Wall Mounted Filtered Water Cooler

Model 761244



761244 is certified by
IAPMO R&T against
NSF/ANSI/ 372



Read this manual thoroughly prior to installation, operation or maintenance. Keep these instructions in a safe location for future reference. For questions, visit globalindustrial.com or contact Customer Service at 1-800-645-2982.

⚠ WARNING

- Keep compressor in upright position for 24 hours before water connections and initial power-on. Failure to do so will void warranty.
- For indoor commercial use only.
- All installation work must be performed by authorized service personnel.
- Two or more people are recommended to lift and install the unit.
- To avoid the risk of property damage and/or personal injury, mount the unit to a flat finished wall surface with adequate support.
- Check local codes for plumbing requirements prior to installation.
- Prior to initial installation, install a shut-off valve(not included) from the water supply.
- Thoroughly flush all water lines and fittings of all foreign matter before connecting to the cooler. Failure to do so will void warranty.
- Check for any leaks before initial operation
- **DO NOT** attempt to repair or replace any part of your appliance unless it is specifically recommended in this manual. All other services should be referred to a qualified technician.

- For use with clean, clear potable drinking water only.
- Shut-off water supply during installation to reduce risk of water damage.
- Ensure proper ventilation by allowing appropriate clearance of housing louvers to the wall on each side of the cooler, as specified in rough-in guide.
- **NEVER** wire the compressor directly to an electrical supply.
- **DO NOT** allow children to play with the appliance.
- Interior of unit may contain sharp edges. Wear gloves when handling or servicing unit.
- Failure to follow installation instructions will void warranty.

Note: These are intended for indoor commercial use only. Do not expose to freezing temperatures. The grounding of electrical equipment to water lines is a common procedure. This grounding may be in the building or occur away from the building. This grounding can cause electric feedback into the water cooler creating an electrolysis which creates a metallic taste or causes the water metal content to increase. Connect to water supply using non-conductive materials.

Bi-Level Wall Mounted Filtered Water Cooler

Risk of Electrical Shock

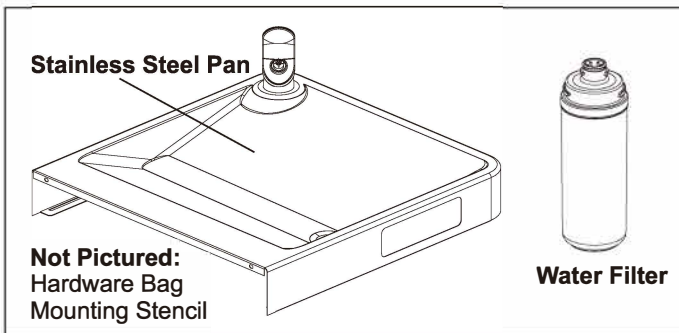
- Disconnect power before servicing unit.
- Electric supply must be identical in voltage, cycle and phase to those in the below. Unit must be plugged into a GFCI outlet.
- Always pull the plug-not the cord-when disconnecting from the outlet.
- DO NOT use if the power cord is worn or damaged. Power cords should only be replaced by service technicians using genuine replacement parts.
- Check local codes for electrical requirements.
- DO NOT disassemble or modify unit.
- Use Global Industrial filter only - Model 761215 or 761215PF

Voltage/Hertz	Water Flow
*Chilling	115V/60Hz
Capacity Full-	5.3 GPH
Load Amps	1.9 Amps
Rated Watts	185 W
Filter Capacity	3600 Gallons
Quick-Fill Rate	1.0 GPM
Certification	UL399 and CAN/CSA 22.2 No. 120
	ADA Compliant
	System 761244 certified by IAPMO R&T against NSF/ANSI 372 for lead free compliance. .

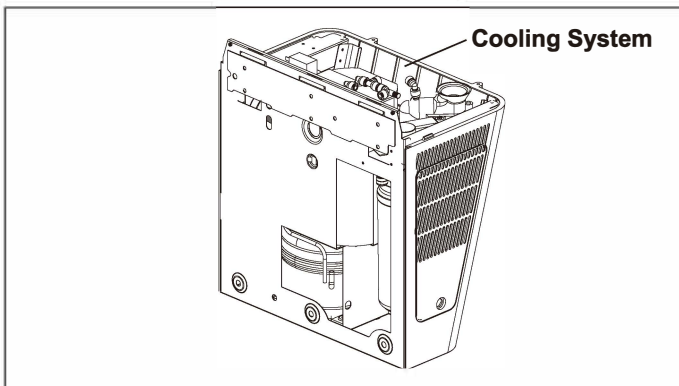
* At 46° - 54° (F) against ambient air temperature of 77° (F)

Package Contents:

Box 1 - 761214 Top Assembly for Water Fountain



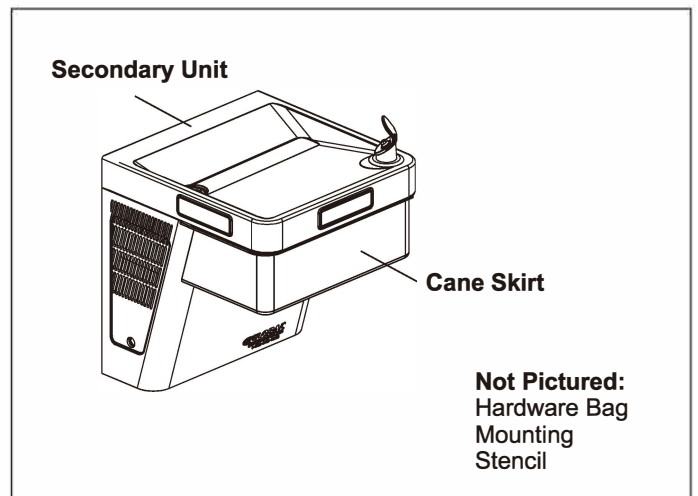
Box 2 - 761212 Cooling System for Water Fountain



Note:

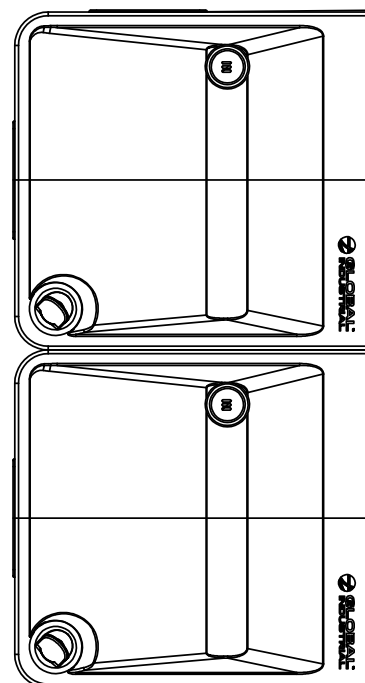
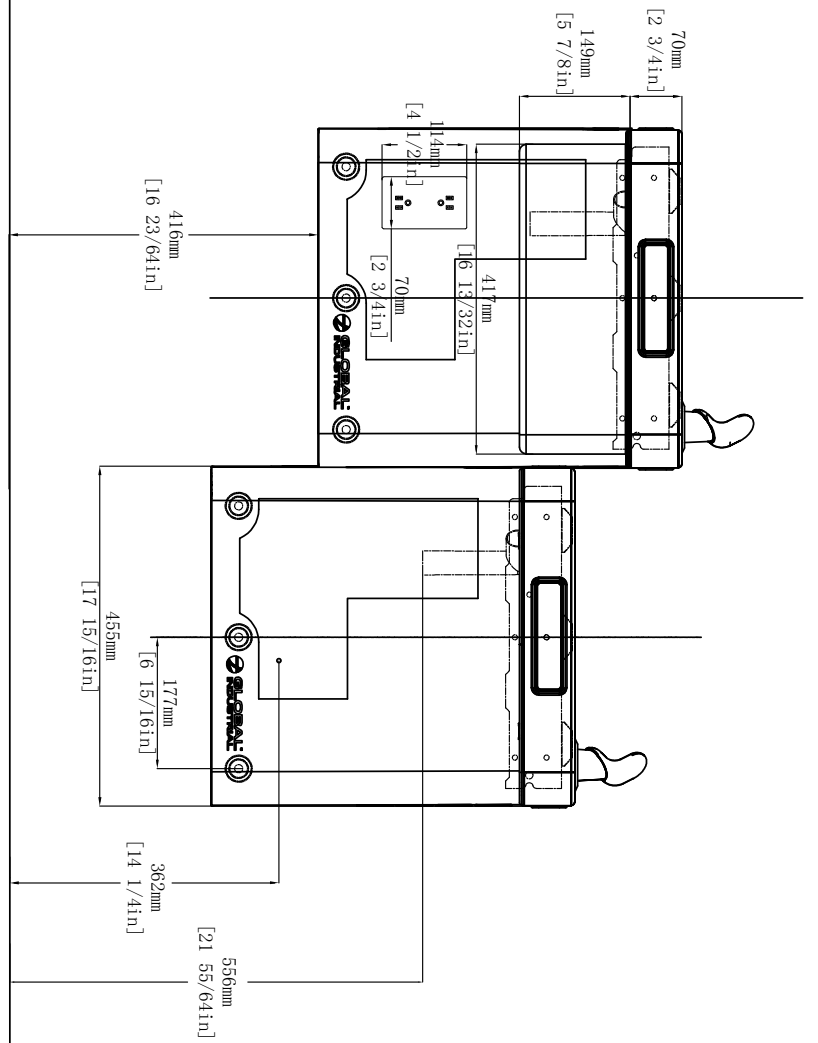
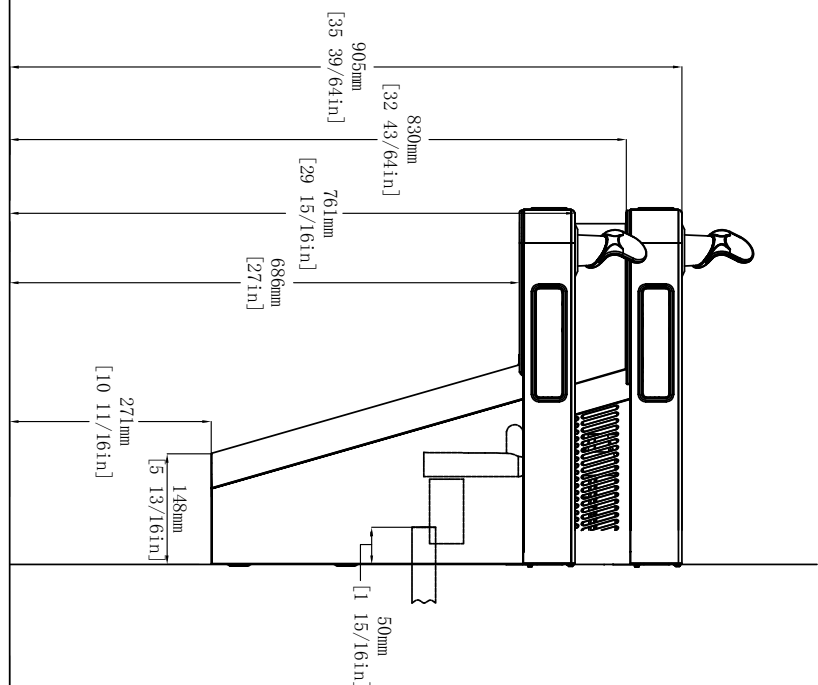
- Prior to installation, consult with local, state, and federal codes for proper mounting height.
- All installation and service should only be performed by authorized personnel.
- Dimensions shown below comply with ADA requirements at time of printing.
- Allow 4" minimum clearance on both sides to allow for proper ventilation through cabinet louvers.
- Thoroughly all water lines and of all foreign matter before connecting to the Cooling System. Failure to do so will void warranty.
- Required Tools:
 - 1.Safety Glasses
 - 2.Safety Gloves
 - 3.Electric Drill
 - 4.Phillips Head Screwdriver
 - 5.Flathead Screwdriver
 - 6.Tape Measure
 - 7.Pencil
 - 8.Level Device
 - 9.(19) 75-lb. Capacity Flat Head Wall Anchors (appropriate for your wall type)
 - 10.(19) Flat Head Anchor Screws
- **WARNING** ⚠
 - Review manual thoroughly and verify rough-ins before installation. Keep these instructions in a safe location for future reference.
 - Keep compressor in upright position for 24 hours before water connections and initial power-on. Failure to do so will void warranty
 - It is recommended to assemble this product on a tabletop or bench.
 - Fixture must be mounted to a flat finished industry standard wall surface. The wall surface must have adequate support to secure the fixture, with the addition of wall anchors (not included) if required.
 - All receptacles must be wired to a GFCI protected circuit. Fixture must be earth grounded per National Electric Code (NEC).
 - Inspect fixture and all parts for damage.

Box 3 - 761250 Bi-Level Drinking Fountain Secondary Unit



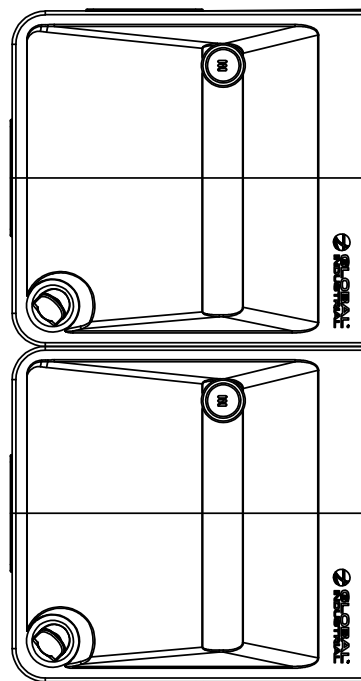
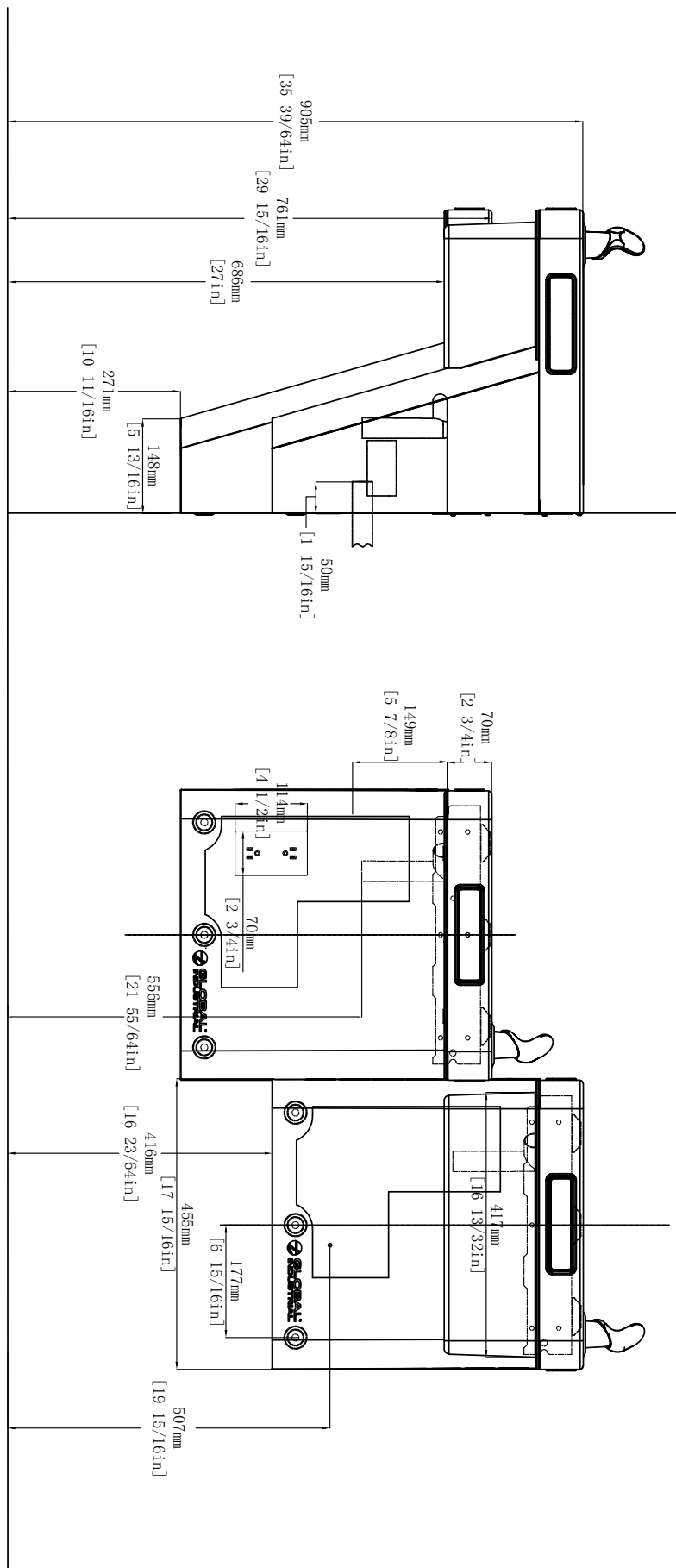
Bi-Level Wall Mounted Filtered Water Cooler

Check local codes for plumbing requirements prior to installation.



Bi-Level Wall Mounted Filtered Water Cooler






Check local codes for plumbing requirements prior to installation.



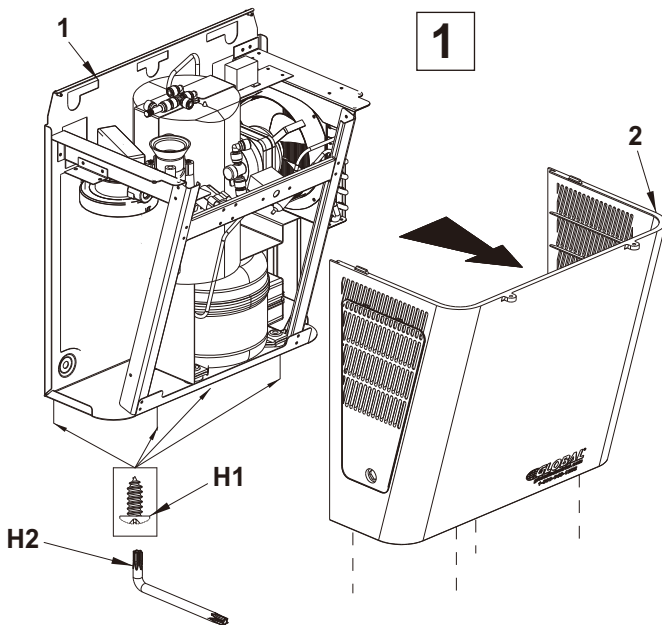
Assembly Instructions

Bi-Level Wall Mounted Filtered Water Cooler

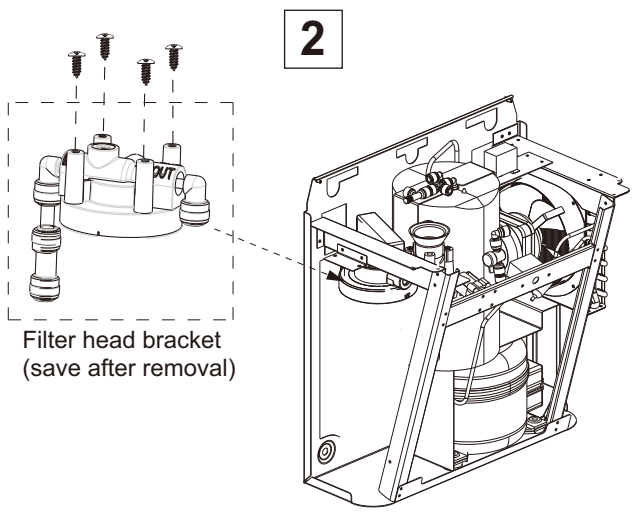
Model 761244

Box 1 CONTENTS		
Ref.	Qty.	Description
1	1	Cooling System
2	1	Lower Cover
3	1	Mounting Bracket
4	1	Stainless Steel Pan
5	1	Filter Access Door
6	1	Water Filter
H1	4	M4 x 8mm Lg. Torx anHeadAnti-Theft Screw 
H2	1	Torx Key 
H3	2	ST4.2*12 Phillips tapping screw 
H4	2	M4 x0.7x 8mm Lg. phillips Flat Head Screw 
H5	2	Filler Access Door Key 

BOX 2 CONTENTS		
Ref.	Qty.	Description
11	1	Secondary Fountain System
12	1	Mounting Bracket
13	1	Cane Skirt
14	1	Elbow Connector Insert
15	1	T-Shape Connector
16	1	3-1/4' PE water line 3/8
17	1	13' PE water line 1/4
18	1	Water Control Valve
19	1	Aviation Plug



WARNING
 Assembly and installation of equipment should be performed by 2 people.

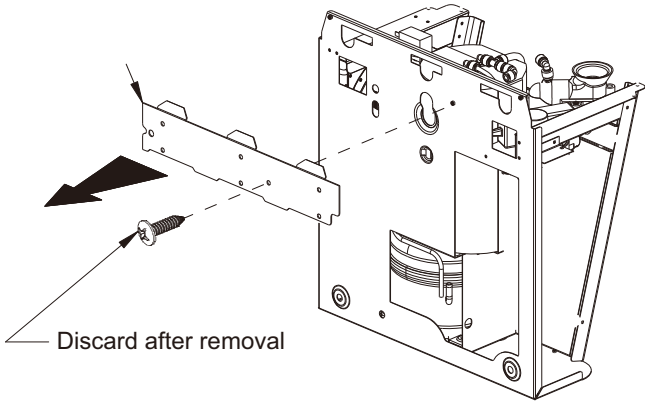


Box 2 - 761212 Cooling System for Water Fountain

Remove Lower Cover
 Using the Anti-Theft Screw Star Key, remove the (4) screws at the bottom of the Lower Cover. Set Lower Cover aside and save screws for reinstallation.

Remove filter head bracket
 Using a Phillips head screwdriver, remove the filter head bracket from the frame of the Cooling System by removing (4) screws. Set filter head bracket aside and save screws for reinstallation.

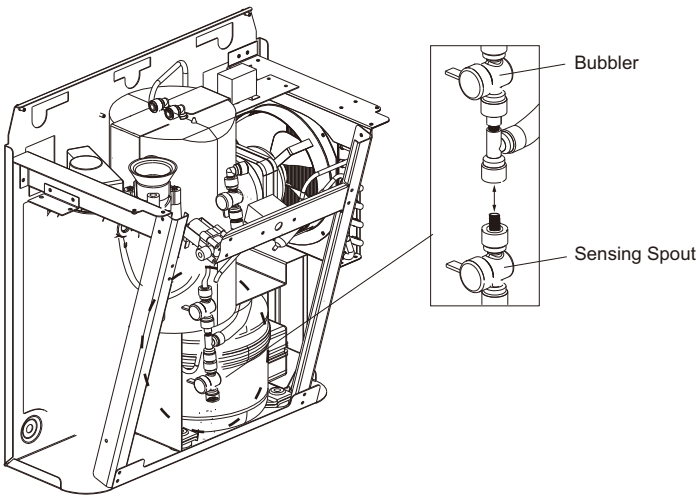
Bi-Level Wall Mounted Filtered Water Cooler



3

Remove mounting bracket

Using a Phillips head screwdriver, remove the Mounting Bracket from the rear of the Cooling System by removing (1) screw. Set bracket aside for reinstallation.



4

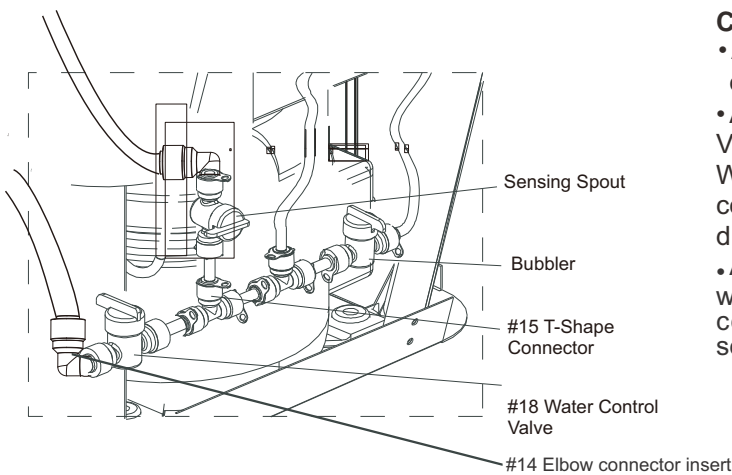
Disconnect Current Water Line Connectors

- Disconnect the Water Control Valve labeled "Sensing Spout" from the T-Shape Connector.

5

Connect Additional Water Line Connectors

- Attach T-Shape Connector (#15) to the open water line.
- Attach one end to the Water Control Valve labeled "Sensing Spout" and add #18 Water Control Valve to the other end. This control valve will be fed to the secondary drinking fountain in a later step.
- Attach Elbow connector insert to the #18 water Control Valve. This elbow connector insert will be fed to the secondary drinking fountain in a later step.



Bi-Level Wall Mounted Filtered Water Cooler

6

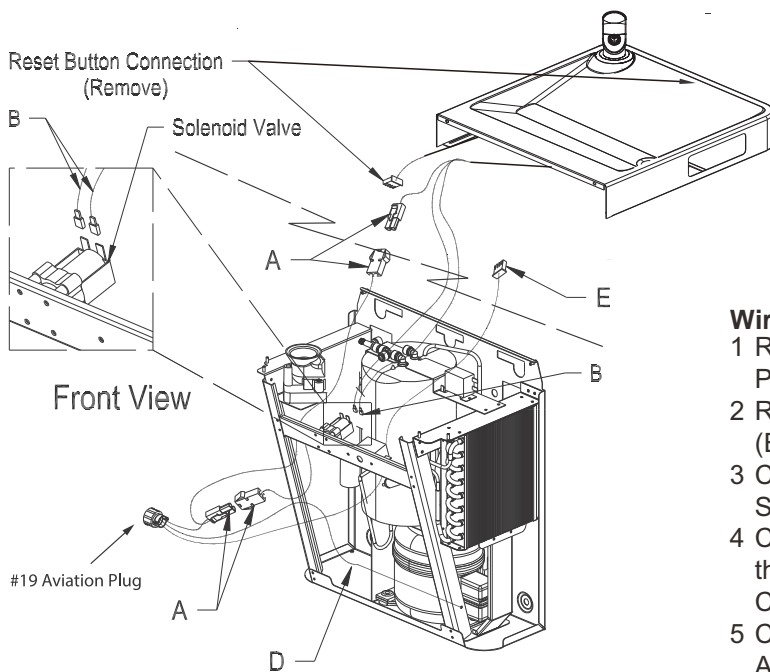
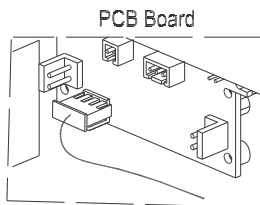
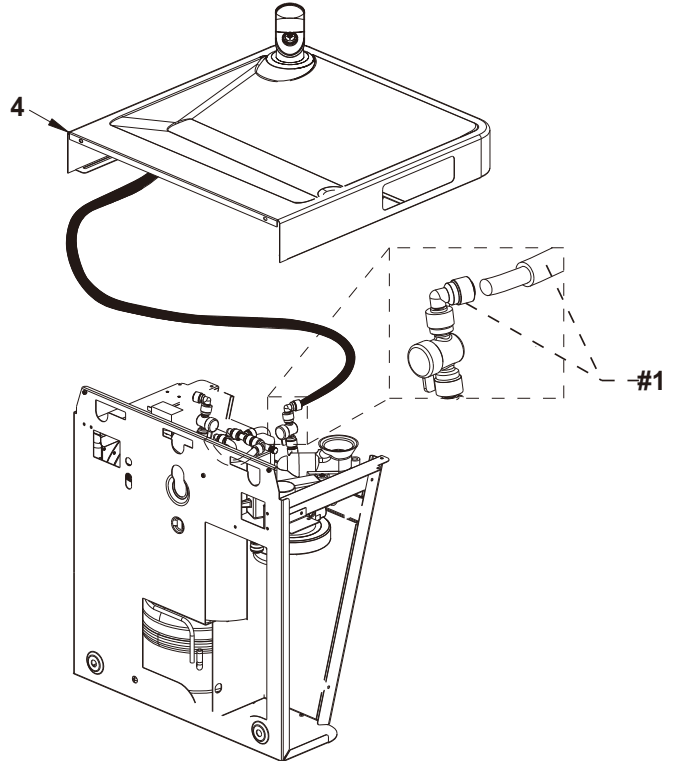


⚠ WARNING

Assembly and installation of equipment should be performed by 2 people.

Connect Water Lines

- Connect water line (#1) from the Stainless Steel Pan to the Water Control Valve (#1) in the Cooling System. Push line until locked into place.



7

Wire Connections

- 1 Remove Reset Button connection wire from the PCB board on the rear of Stainless Steel Pan.
- 2 Replace this connection with Reset Button wire (E) from the Aviation Plug (#19).
- 3 Connect the 2 Activation Connectors (B) to the Solenoid Valve (B).
- 4 Connect Female Activation Connector (A) from the Aviation Plug (#19) to Stainless Steel Pan Connector (A).
- 5 Connect Male Activation Connector (A) from the Aviation Plug (#19) to Power Supply Connector (A).
- 6 Properly ground Grounding Wire (D) to the frame of the water cooler. Do so by wrapping the end of the wire around a screw onto the frame.

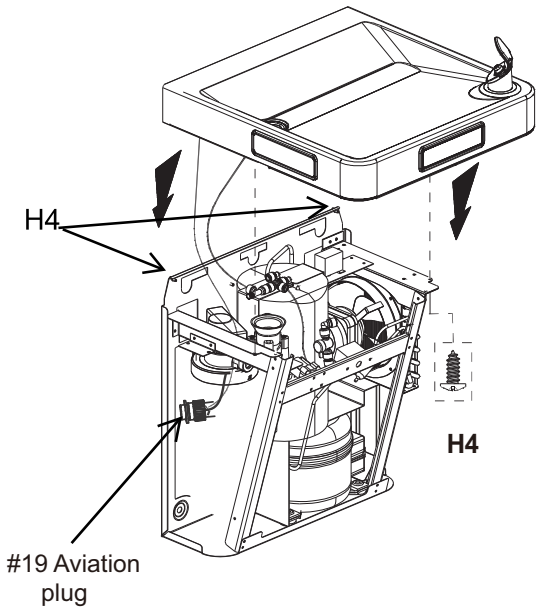
7

Bi-Level Wall Mounted Filtered Water Cooler

⚠ CAUTION
Avoid crossing wires
against sharp edges

8

- Feed the Aviation Plug #19 through the Cooling System's frame and carefully lower the Stainless Steel Pan on top of the Cooling System.
- Attach the Stainless Steel Pan to the Cooling System using (2) H4 screws.



9

Box 3: 761250 Bi-Level Drinking Fountain Secondary Unit

1-Remove Mounting Bracket

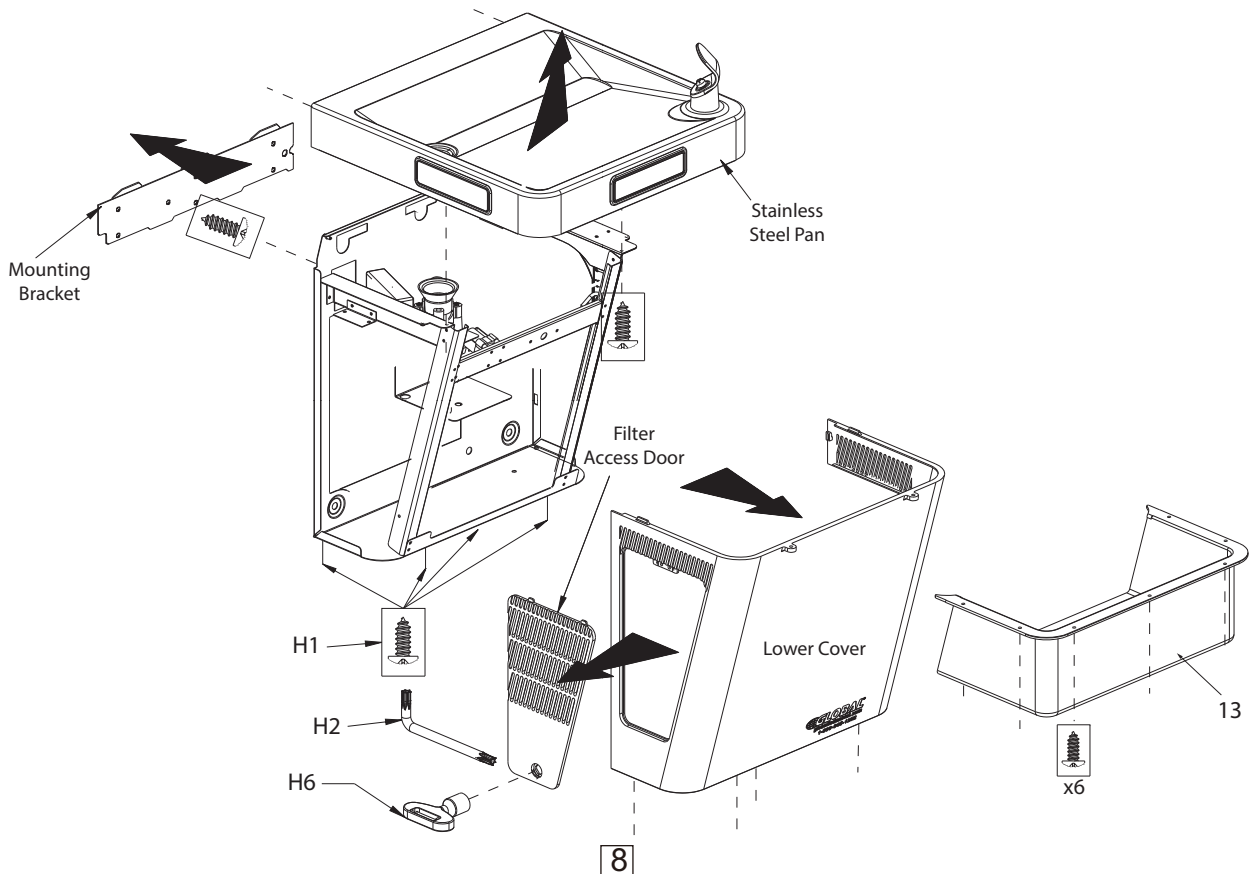
Using a Phillips head screwdriver, remove the Mounting Bracket from the rear of the unit by removing (1) screw. Discard screw and set bracket aside.

2-Remove Cane Skirt and Lower Cover

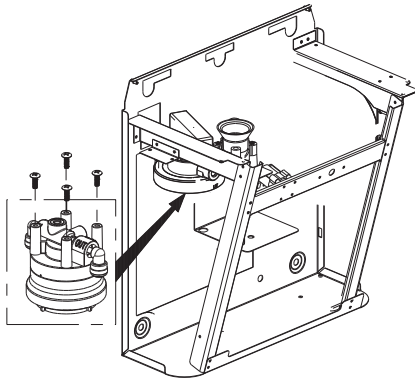
Using the Anti-Theft Screw Star Key, remove the (4) screws at the bottom of the Lower Cover and remove the (6) screws from the top lip of the Cane Skirt (#13). Set both components aside.

3-Remove the Stainless Steel Pan

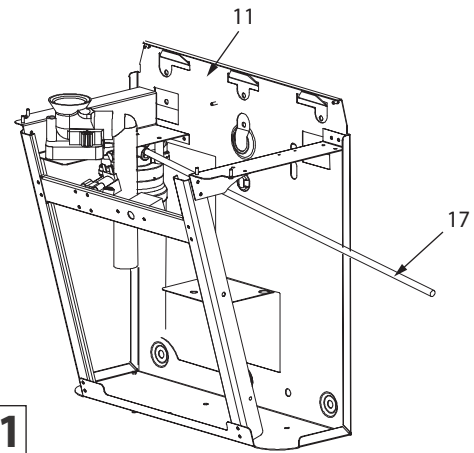
Using a Phillips head screwdriver, remove the (2) screws located on the backside of the pan and the (2) screws on the lower front panel. Set Stainless Steel Pan aside.



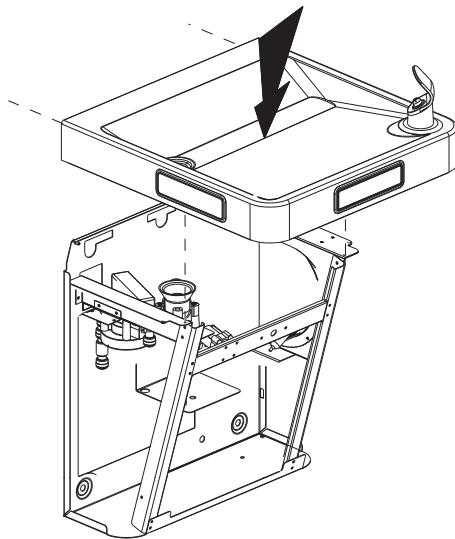
Bi-Level Refrigerated Bottle Filling Station, Filtered



10 **Install filter head bracket to Secondary Unit**
Using a Phillips head screwdriver, install the filter head bracket onto the frame of the Secondary Unit using the(4) screws previously removed.



11 **Connect #17 Water Line**
Connect the 39' PE water line (#17) to the outlet of the filter and feed the line out right side of the Secondary Unit's frame.



12 **Reattach Stainless Steel Pan**
Using a Phillips head screwdriver, reattach the Stainless Steel Pan back onto the Secondary Unit's frame using the (4) screws previously removed.

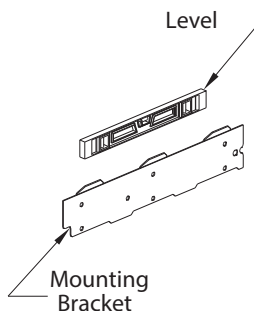
13 Mounting 761250 Secondary Unit

Attach mounting bracket to wall

Note: To comply with ADA requirements, the base of stencil must be installed 11" to 14 3/4" from the See Rough-in Guide for additional ADA requirements.

Note: Before installing bracket to the wall, check location of power source, water line and drain.

- Affix stencil with tape to appropriate wall. It is recommended to use a level to ensure the stencil is hung straight horizontally.
- Drill (6) holes appropriate for the wall anchors (75 lb. minimum each) as indicated on the mounting bracket on the stencil. Use appropriate anchors for your wall type.
- Drill (2) holes appropriate for the wall anchors (75 lb. minimum each) as indicated on the bottom support holes on the stencil. Use appropriate
- Remove stencil from the wall and install bracket onto the wall using appropriate anchors. Mounting hardware not included.



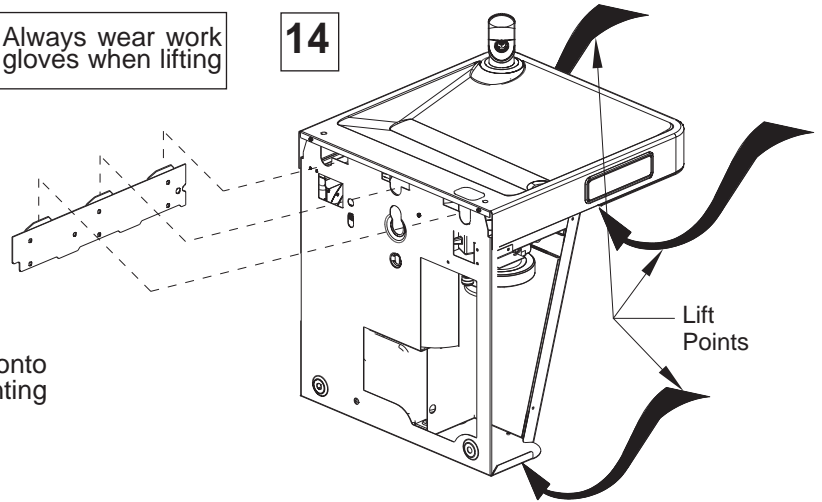
Bi-Level Refrigerated Bottle Filling Station, Filtered



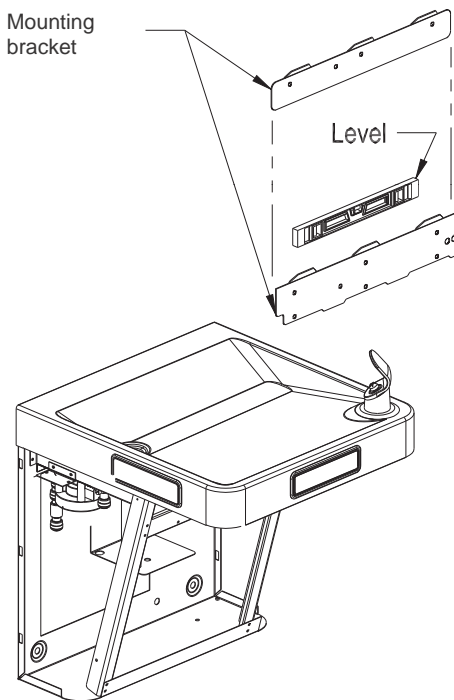
WARNING
 installation of equipment should be performed by 2 people.

Always wear work gloves when lifting

14



WARNING
Hanging assembled unit to wall
 Carefully hang assembled unit onto the wall by lowering onto mounting bracket.



15

Mount Bottle Filler Unit Beside the Secondary Unit Attach mounting brackets to wall

- Use the same stencil previously axed to the wall it is recommended to use a level to ensure the stencil is hung straight horizontally.
- Drill (9) holes appropriate for the wall anchors (75 lb. minimum each) as indicated on the top and bottom mounting brackets on the stencil. Use appropriate anchors for your wall type.
- Drill 2 holes appropriate for the wall anchors (75 lb. minimum each) as indicated on the bottom support holes on the stencil. Use appropriate anchors for your wall type.
- Remove stencil from the wall and install top and bottom brackets onto the wall using appropriate anchors. Mounting hardware not included.

Note: To comply with ADA requirements, the base of stencil must be installed 11" to 14 3/4 " from the See Rough-in Guide for additional ADA requirements.
Note: Before installing brackets to the wall, assure power source, water line and drain aligns to opening on unit

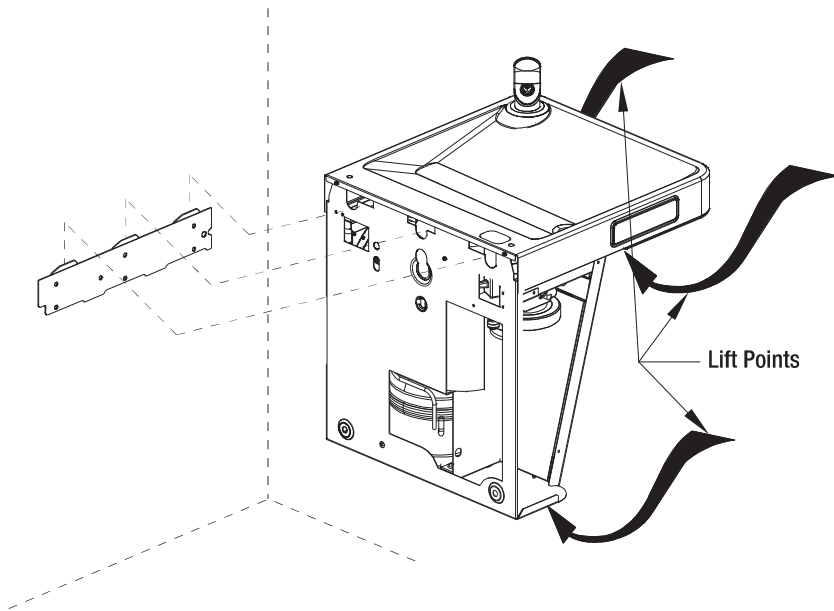
Bi-Level Wall Mounted Filtered Water Cooler

16

Hanging assembled unit to wall

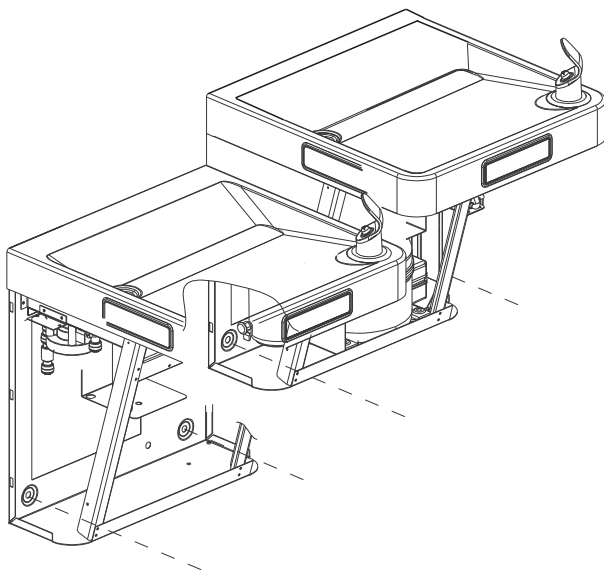
- Carefully hang assembled bottle filler onto the wall by lowering onto both top and bottom wall mount brackets.

CAUTION
Once assembled do not lift unit by Bottle Filler Top Assembly. Use two people when lifting. Always wear work gloves when lifting.



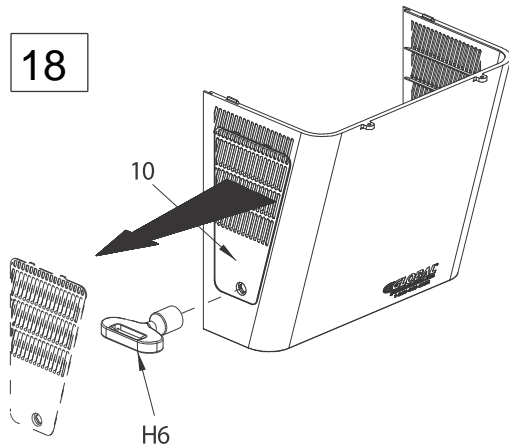
17

- Once mounted, attach 2 screws (not included) through the frame of the Cooling System and into the bottom support holes previously drilled into the wall. Follow the same steps for the Secondary Unit.

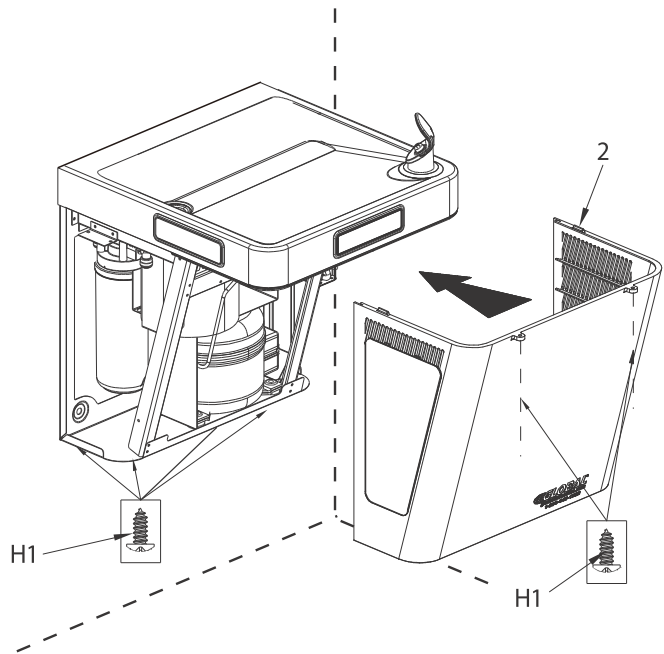


Bi-Level Wall Mounted Filtered Water Cooler

18



Remove the filter access door on the Lower Cover using the provided key. Set door aside



19

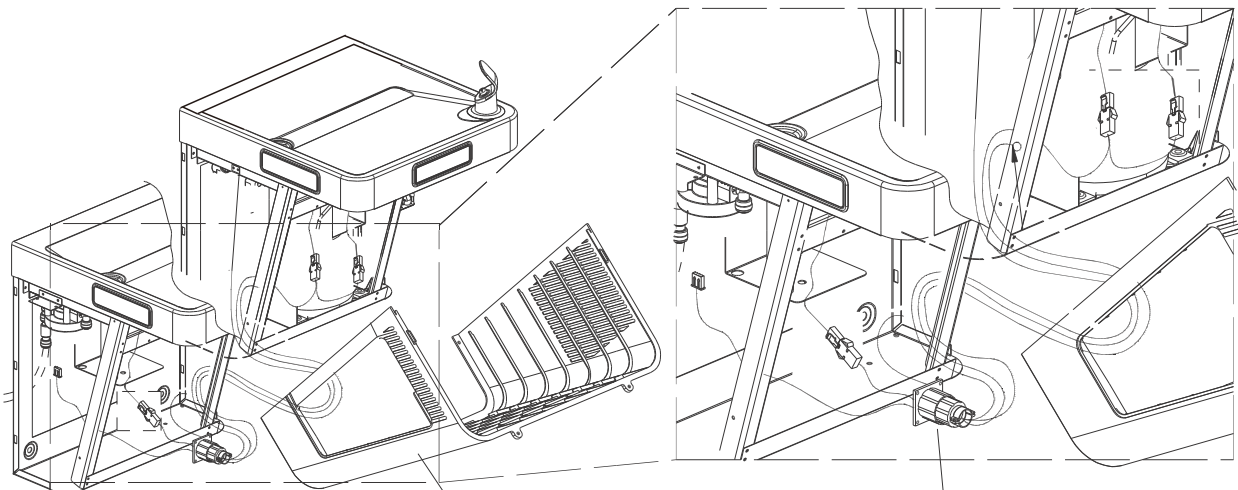
Reattach lower cover

- Reattach the Lower Cover to the Cooling System using (4) H1 anti-theft screws.
- Fasten the Lower Pan Cover to the bottom of the Stainless Steel Pan using (2) H1 anti-theft screws.

20

Connect Aviation Plug between the two units

Connect Male Aviation Plug from the Bottle Filler unit to the Female Aviation Plug in the Secondary Unit.



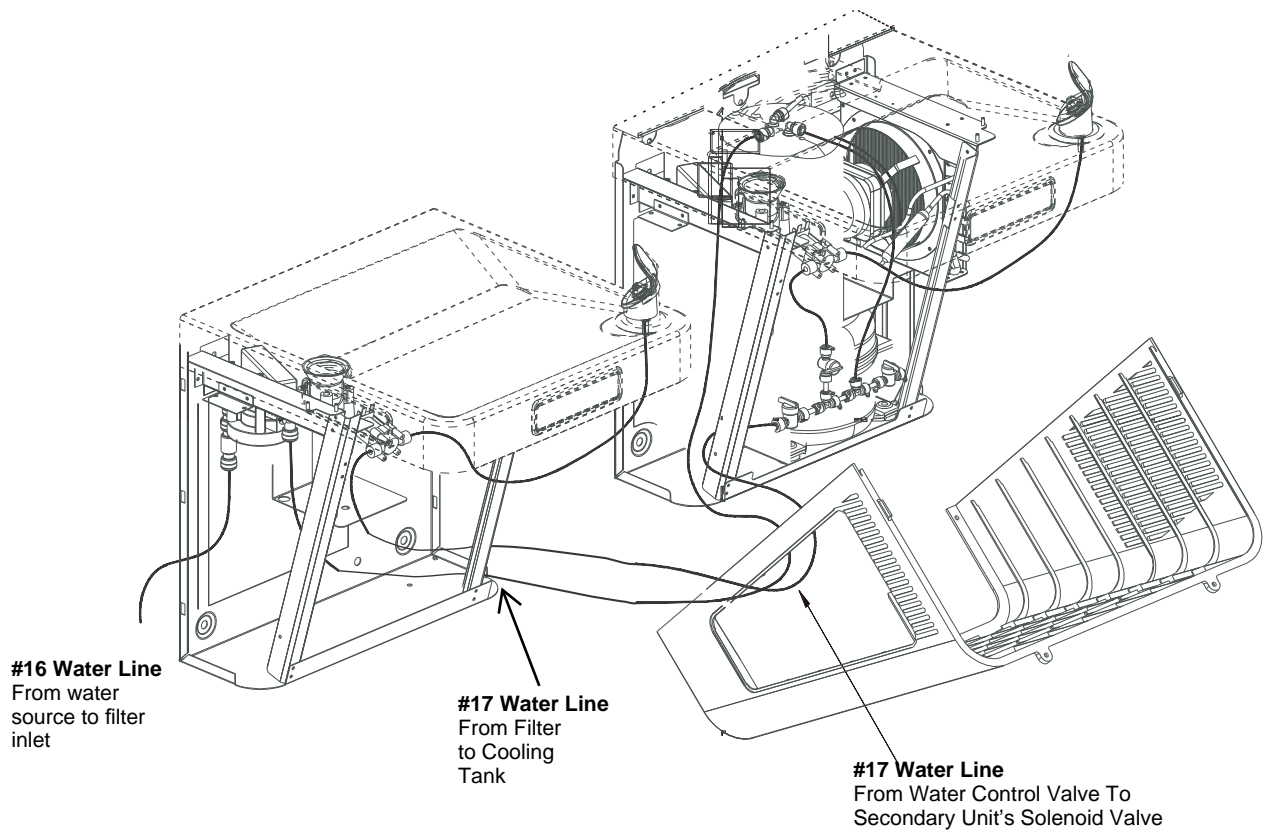
Note: Lower Cover shown detached for illustration purpose only.

Aviation Plug

Bi-Level Wall Mounted Filtered Water Cooler

21 Connect Water Lines

- Connect the 1/4 water line (#17) from the filter head in the Secondary Unit, to the Cooling Tank in the Bottle Filler unit.
- Connect 1/4 water line (#17) from the Water Control Valve (#18) in the Bottle Filler unit, to the Solenoid Valve in the Secondary Unit.



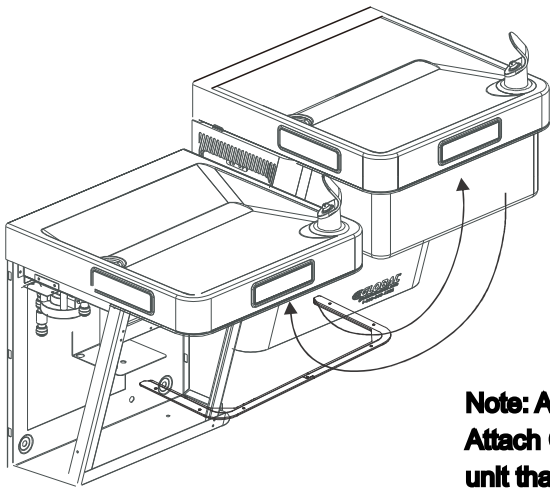
Note: Lower Cover shown detached for illustration purposes only.

Bi-Level Wall Mounted Filtered Water Cooler

22

Attach Decoration strips

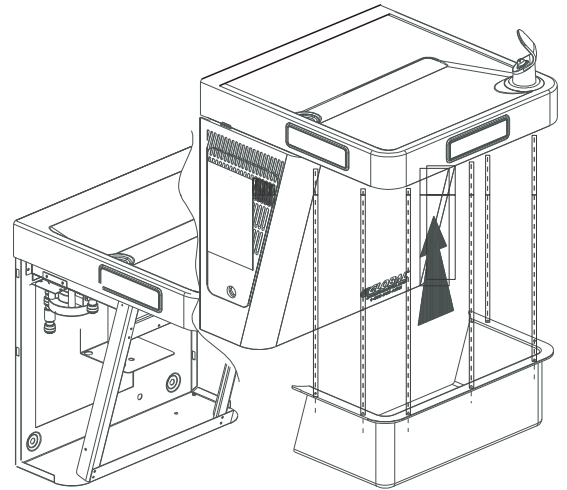
- Attach Decoration strips to the underside of the Stainless Steel Pan of secondary unit after they are removed from higher unit attached.
- Attach filter door of higher unit to secondary unit after it is removed from higher unit.



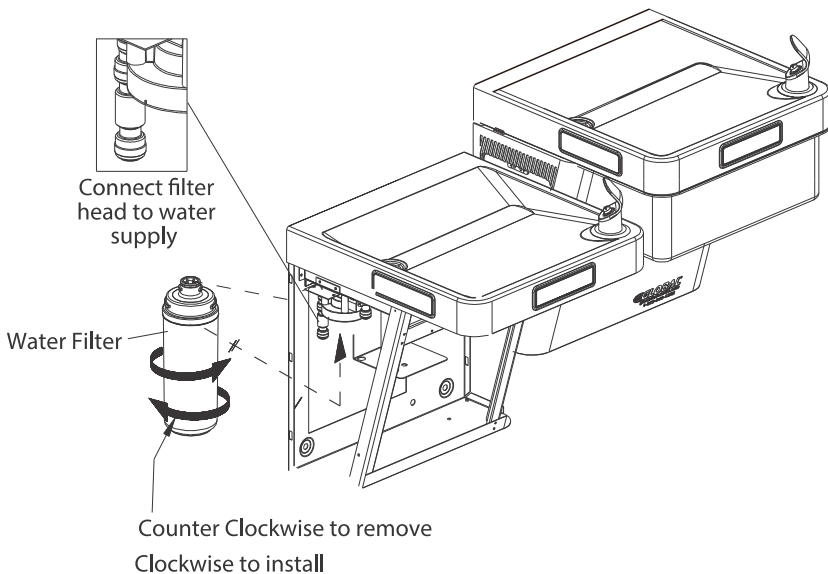
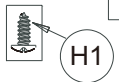
23

Attach Cane Skirt

- Attach Cane Skirt to the underside of the Stainless Steel Pan using (6) H1 anti-theft screws.
- Attach filter door of secondary unit to higher unit.



Note: Always Attach Cane Skirt to the unit that is mounted higher



24

Install Water Filter

- Remove the receiver protective cover from the water filter
- Insert filter into the filter head by turning clockwise until locked into place.

Check local codes for plumbing requirements prior to installation.

25

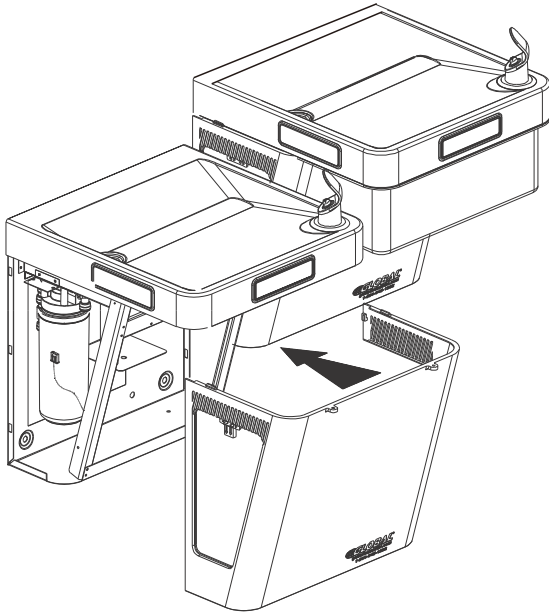
- Turn on buildings water supply and check all connections for leaks.
- Fix any leaks before continuing.
- Plug power cord into outlet.

Note: If cooling system is on its side or back for more than 10 minutes, allow it to stand in the upright position for 24 hours before water

Bi-Level Wall Mounted Filtered Water Cooler

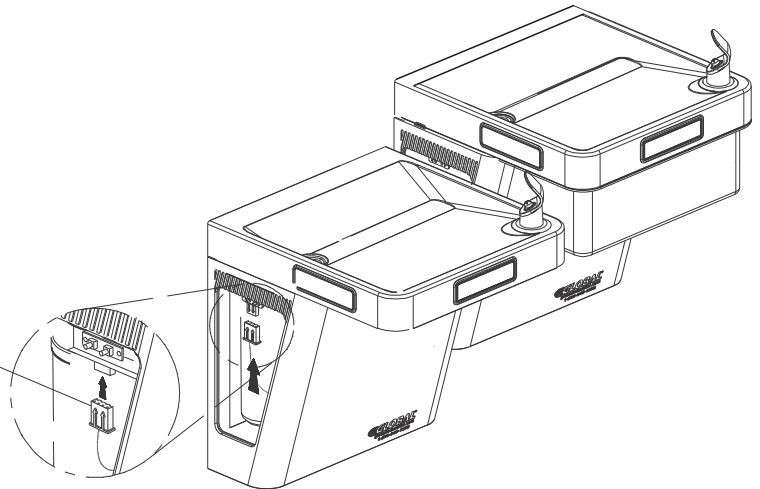
26 Attach Lower Cover to Secondary Unit

- Attach the Lower Cover (with the notch-out) to the Secondary Unit using (6) H1 anti-theft screws.



WARNING:
Make sure all electrical and water lines are tucked before attaching Lower Cover.

Reset button connection



WARNING

Risk Of Electrical Shock

- Turn off the power prior to performing any maintenance.
- Verify supply voltage accuracy.
- Ensure all electrical and grounded connections are in accordance with the National Electrical Code and any other applicable locale code requirements.
- All wiring connections should be capped with approved wire connectors.

The warning, precautions, and instructions discussed cannot cover all possible conditions and situations that may occur. Failure to heed these warnings may result in property damage and personal injury.

General Safety Information

- To reduce the risk of property damage, personal injury, electric shock, galling equipment, and other hazards, please read all instructions and warnings.
- Installation, service, and maintenance should be done by a qualified technician.
- All parties must follow proper safety procedures and precautions at all times.
- Do Not Install Damaged Products.

27

Connect reset cable to activation button

- Connect the Reset Button connection cable to the Activation Buttons located at the top of the filter access door frame.
- Reinstall the filter access door using the provided key.

Bi-Level Wall Mounted Filtered Water Cooler

Operation

Note: Initial water flow may have sputter due to air in the water lines; this will be eliminated once air is purged from all water lines.

To operate drinking fountain, push front or side activation buttons on the stainless steel pan to dispense cooled-filtered water from the bubbler.

Adjusting Settings

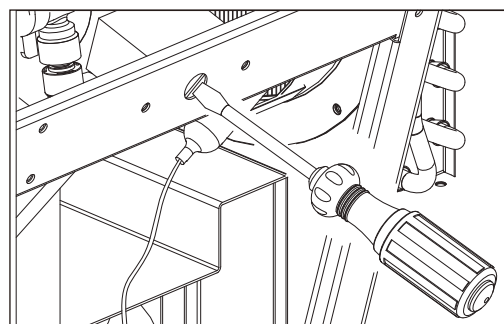
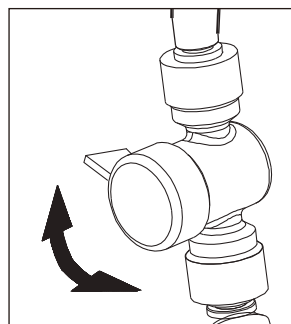
Water Flow Pressure: Adjust the water pressure as needed by turning the water control valve. Turn clockwise to decrease the water pressure, or counterclockwise to increase the water pressure.

Note: When adjusting, aim water to the center of the stainless steel pan.

Note: Initial dispenses may have air in line which may cause a sputter. Allow a few seconds for air to be purged from the water line.

Water Temperature: Machine comes with a preset water temperature of around 45°F. If a temperature is required, remove Lower Cover and access the thermostat on the front housing frame. Using a head screwdriver, turn thermostat screw clockwise to lower temperature setting.

Note: Please allow 5-10 minutes for water temperature to change.



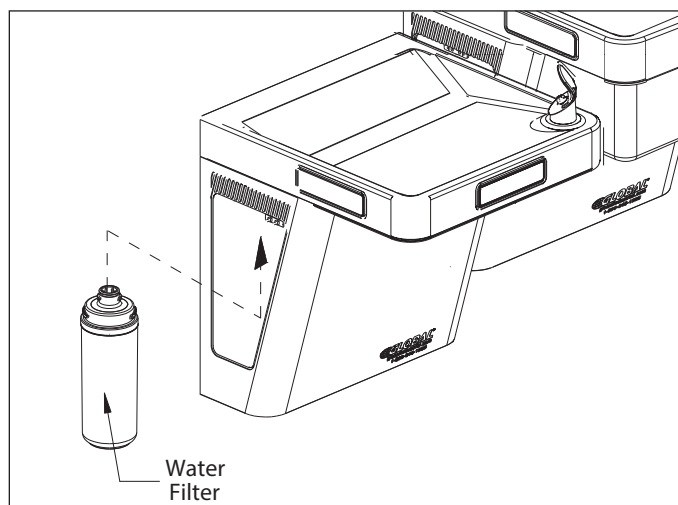
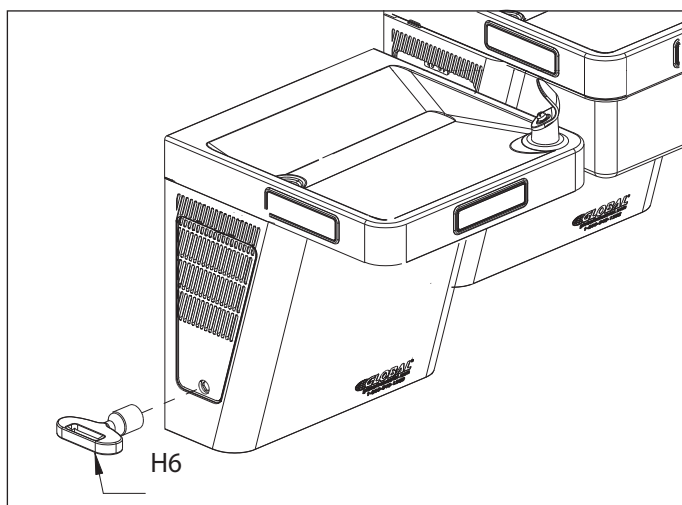
Installing/Replacing Filter

1. Remove filter access door on the lower cover using the provided key (H6).
2. Grasp old filter and turn counterclockwise to remove from the filter head.

3. Insert new filter onto filter head by turning the filter clockwise until locked into place.

4. Reinstall and lock the filter access door. Replacement Filters: Model 761215 or 761215PF

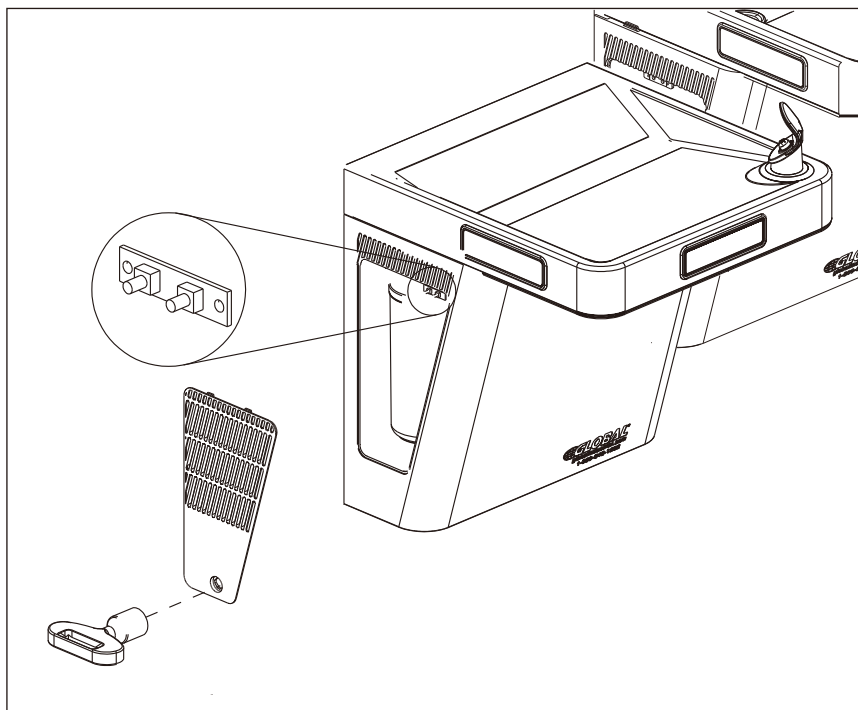
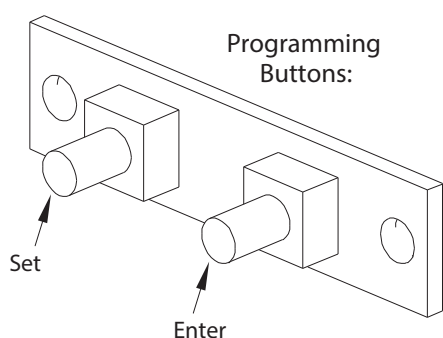
For more information visit: globalindustrial.com or call 1-800-645-2982.



Bi-Level Wall Mounted Filtered Water Cooler

Programming Settings

Accessing the programming Buttons:
To access the programming buttons, open the filter access door on the lower cover using the provided key (H6). The two program buttons are located on the top of the access door frame.



Resetting Filter Status

Note: This step is not required for initial use

1. Press and hold **ENTER** button for 5 seconds, until all 5 LED lights flash.
2. Tap **SET** button; all 5 LED lights will be displayed.
3. Press and hold **ENTER** button for 5 seconds to reset filter status.

Select Filter Size

1. Press and hold **ENTER** button for 5 seconds, until all 5 LED lights flash.
2. Tap **SET** button to access Filter Size mode:
 - Tap **SET** button 1 time to select 3600 gallon filter option. 4 LED light will be displayed.
 - Tap **SET** button 2 times to select 3000 gallon filter option. 3 LED lights will be displayed.
 - Tap **SET** button 3 times to select 1500 gallon filter option. 2 LED lights will be displayed.
 - Tap **SET** button 4 times to select NO filter option. 1 LED lights will be displayed.
3. Tap **ENTER** button to confirm filter size.



Note:

- System will timeout and revert to previous setting if no selection is made within 2 minutes.
- If "NO" filter option is selected, zero LED status bars will be displayed in standard view.
- Filter size does not need to be reselected if replacing a filter with the same capacity as the previously used filter.

Bi-Level Wall Mounted Filtered Water Cooler

When filter level is at 100%	5 LED bars will be displayed
When filter level is at 80%	4 LED bars will be displayed
When filter level is at 60%	3 LED bars will be displayed
When filter level is at 40%	2 LED bars will be displayed
When filter level is at 20%	1 LED bar will be displayed
When filter level is at 10%	1 LED bar will be displayed and will FLASH
When filter level is at 0%	5 LED bars will be displayed and will FLASH

Maintenance

! WARNING

ALWAYS disconnect power and shut off main water supplier prior to maintenance. Observe entire unit for possible water leakage.

- Inspect Cooling System every 6 months for leakage, proper operation and performance.
- When cleaning, do not use harsh chemicals, abrasive or petroleum based cleaners. Doing so will void warranty.
- Exterior parts can be cleaned using a soft cloth with mild detergents or soapy water. Do not use steel soap pads. Rinse and towel dry

- Extra caution should be used to clean mirror finished stainless steel panels, as they can be easily scratched.
- Periodically clean cabinet ventilation louvers and condenser fins with a vacuum cleaner, or air hose to avoid excess dirt.
- Periodically remove the Lower Cover of the Cooling System and clean out water drain.
- To clean blockage/debris from the bottle filler spout-twist off the silver spout, remove the filter screen and run under clean water. Reattach the screen and spout.

Troubleshooting

Issue	Possible Cause	Suggested Action
	The thermostat is set too high	Lower the water temperature on the thermostat (see Adjusting Settings, page 8).
Water Temperature not Cool	No power to unit	<ul style="list-style-type: none"> • Check power cord • Check the electrical receptacle for power and correct voltage; electric supply must be identical in voltage, cycle and phase to that specified on nameplate • Check for loose wires within the Cooling System • Check to see if GFCI outlet tripped
	Water control valve(s) are closed	Access water control valve and turn on. Adjust water flow pressure as needed (see Adjusting Settings, pg 10)
Restricted or No Water Flow	Blockage in water line	Check water supply lines and flush out any blockage
	The filter is blocked	Change filter
Noisy Operation	Condenser fan blades not turning freely	Clear fan blades free from any restrictions
	Hardware rattling	Ensure hardware is tightened