

User's manual
Manual del usuario
Manuel de l'utilisateur

Customer Service
US: 1-800-645-2986

Servicio de atención al Cliente
US: 1-800-645-2986

Service à la clientèle
Canada: 888-645-2986

Wall Mounted Filtered Water Cooler

Model 761217



System 761217 certified by
IAPMO R&T against NSF/ANSI
42, 53 & 372



Read this manual thoroughly prior to installation, operation or maintenance. Keep these instructions in a safe location for future reference. For questions, visit globalindustrial.com or contact Customer Service at 1-800-645-2982.

⚠ WARNING

- Keep compressor in upright position for 24 hours before water connections and initial power-on. Failure to do so will void warranty.
- For indoor commercial use only.
- All installation work must be performed by authorized service personnel.
- Two or more people are recommended to lift and install the unit.
- To avoid the risk of property damage and/or personal injury, mount the unit to a flat finished wall surface with adequate support.
- Check local codes for plumbing requirements prior to installation.
- Prior to initial installation, install a shut-off valve (not included) from the water supply.
- Thoroughly flush all water lines and fittings of all foreign matter before connecting to the cooler. Failure to do so will void warranty.
- Check for any leaks before initial operation.
- DO NOT attempt to repair or replace any part of your appliance unless it is specifically recommended in this manual. All other services should be referred to a qualified technician.

- For use with clean, clear potable drinking water only.
- Shut-off water supply during installation to reduce risk of water damage.
- Ensure proper ventilation by allowing appropriate clearance of housing louvers to the wall on each side of the cooler, as specified in rough-in guide.
- NEVER wire the compressor directly to an electrical supply.
- DO NOT allow children to play with the appliance.
- Interior of unit may contain sharp edges. Wear gloves when handling or servicing unit.
- Failure to follow installation instructions will void warranty.

Note: These fixtures are intended for indoor commercial use only. Do not expose to freezing temperatures. The grounding of electrical equipment to water lines is a common procedure. This grounding may be in the building or occur away from the building. This grounding can cause electric feedback into the water cooler creating an electrolysis which creates a metallic taste or causes the water metal content to increase. Connect to water supply using non-conductive materials.

Wall Mounted Filtered Water Cooler

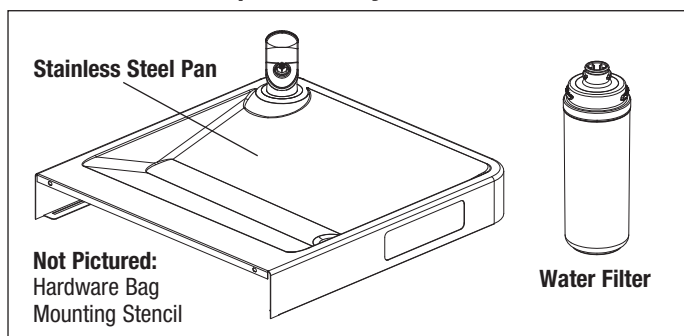
Risk of Electrical Shock

- Disconnect power before servicing unit.
- Electric supply must be identical in voltage, cycle and phase to those specified in the specifications below. Unit must be plugged into a GFCI outlet.
- Always pull the plug – not the cord – when disconnecting from the outlet
- DO NOT use if the power cord is worn or damaged. Power cords should only be replaced by qualified service technicians using genuine replacement parts.
- Check local codes for electrical requirements.
- DO NOT disassemble or modify unit.
- Use Global Industrial Filter only - Model 761215 or 761215PF

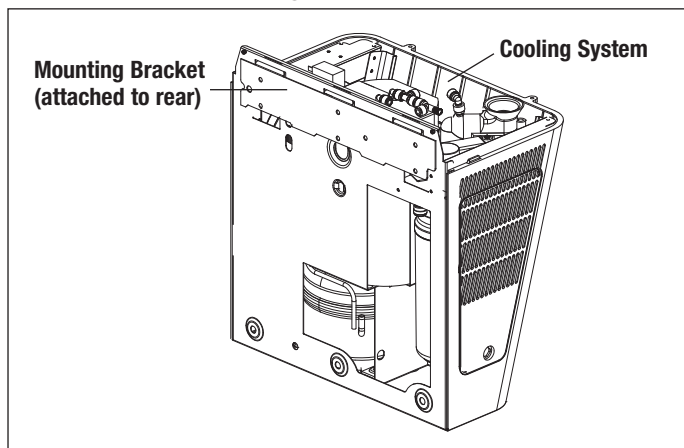
Voltage/Hz	115V/60Hz
*Chilling Capacity	5.3 GPH
Full-Load Amps	1.9 Amps
Rated Watts	185 W
Filter Capacity	3600 Gallons
Quick-Fill Rate	1.0 GPM
Water Flow	Laminar
Overall Dimensions	18 ¹ / ₈ "W x 16"D x 19 ⁵ / ₁₆ "H
Certification	UL399 and CAN/CSA 22.2 No. 120 ADA Compliant
	System 761217 certified by IAPMO R&T against NSF/ANSI/CAN 372 for lead free compliance
* At 46° - 54° (F) against ambient air temperature of 77° (F)	

Package Contents:

Box 1 - 761214 Top Assembly for Water Fountain



Box 2 - 761212 Cooling System for Water Fountain



Note:

- Prior to installation, consult with local, state, and federal codes for proper mounting height.
- All installation and service should only be performed by authorized personnel.
- Dimensions shown below comply with ADA requirements at time of printing.
- Allow 4" minimum clearance on both sides to allow for proper ventilation through cabinet louvers.
- Thoroughly flush all water lines and fittings of all foreign matter before connecting to the Cooling System. Failure to do so will void warranty.

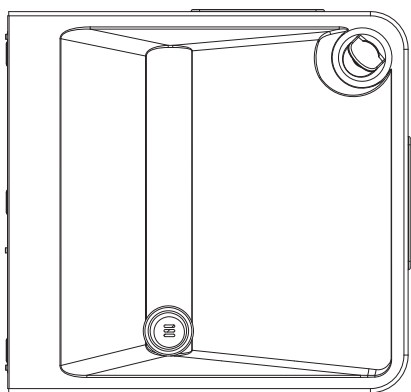
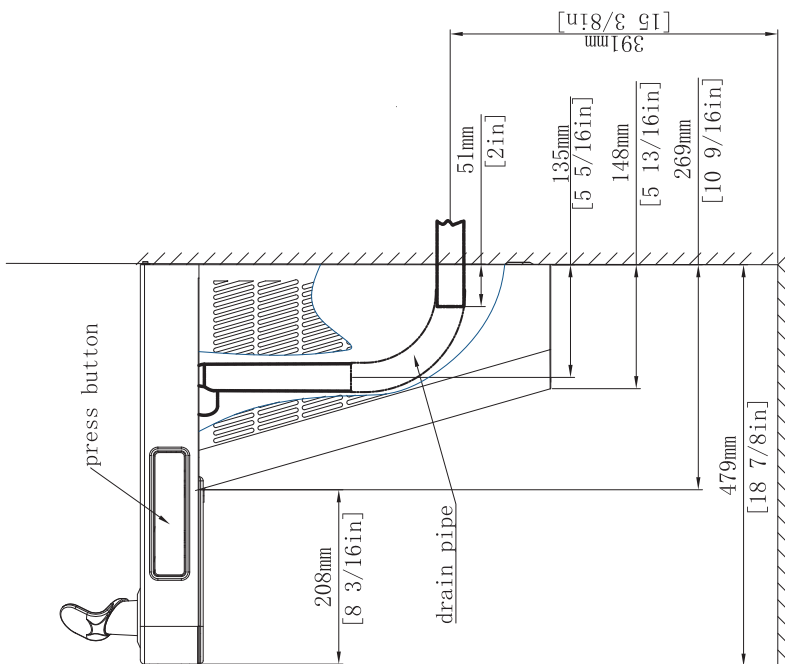
Required Tools:

1. Safety Glasses
2. Safety Gloves
3. Electric Drill
4. Phillips Head Screwdriver
5. Flathead Screwdriver
6. Tape Measure
7. Pencil
8. Level Device
9. (8) 75-lb. Capacity Flat Head Wall Anchors (appropriate for your wall type)
10. (8) Flat Head Anchor Screws

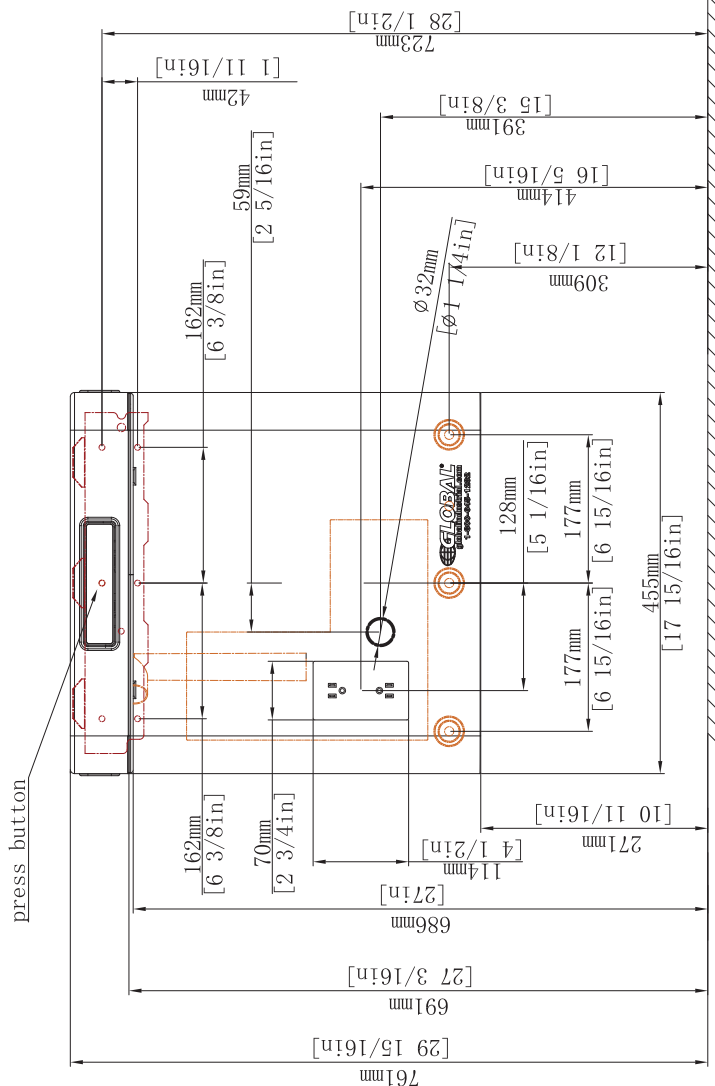
⚠ WARNING

- Review manual thoroughly and verify rough-ins before installation. Keep these instructions in a safe location for future reference.
- Keep compressor in upright position for 24 hours before water connections and initial power-on. Failure to do so will void warranty.
- It is recommended to assemble this product on a tabletop or bench.
- Fixture must be mounted to a flat finished industry standard wall surface. The wall surface must have adequate support to secure the fixture, with the addition of wall anchors (not included) if required.
- All receptacles must be wired to a GFCI protected circuit. Fixture must be earth grounded per National Electric Code (NEC).
- Inspect fixture and all parts for damage.

Wall Mounted Filtered Water Cooler



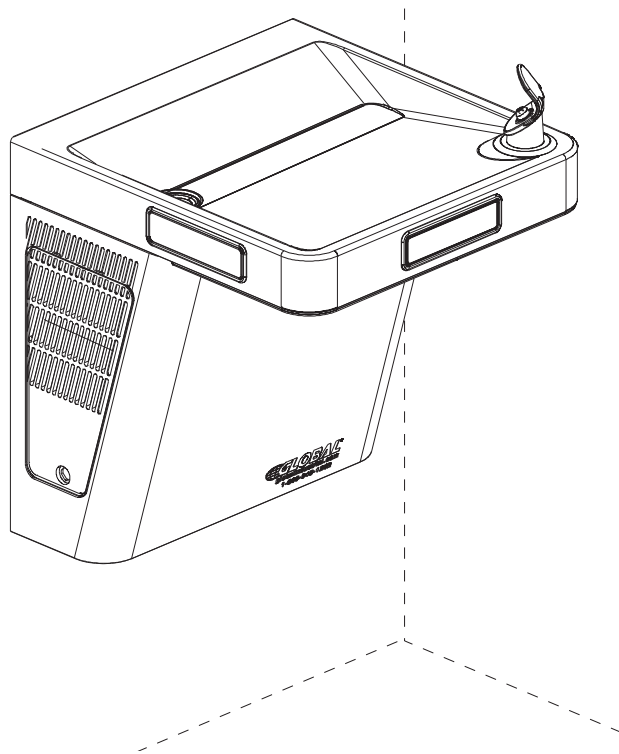
Check local codes for plumbing requirements prior to installation.


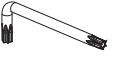





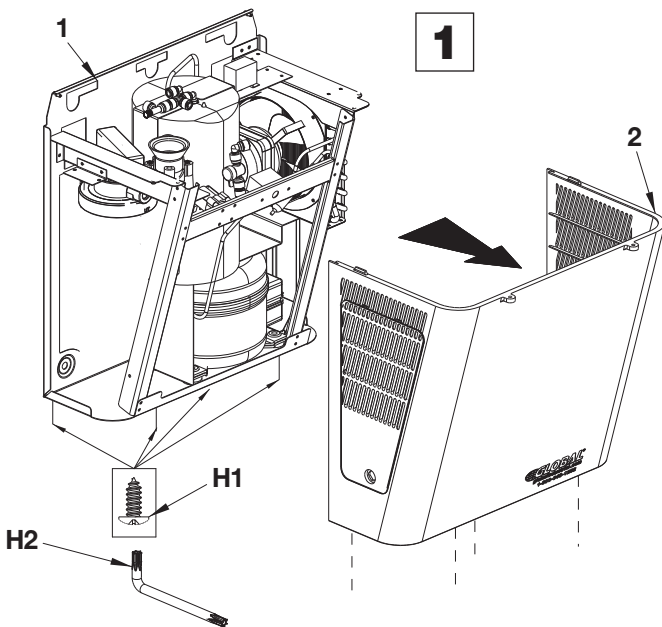
Assembly Instructions

Wall Mounted Filtered Water Cooler

Model 761217

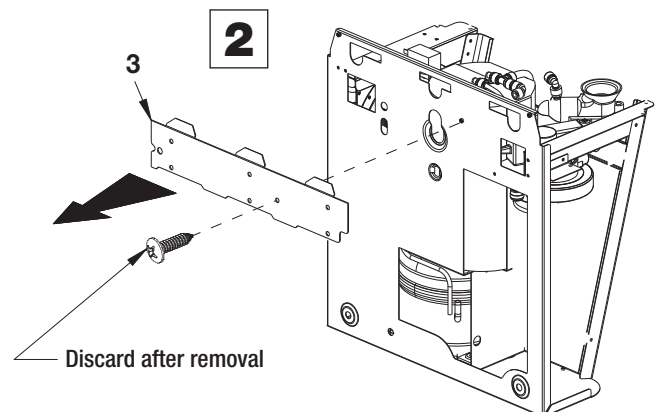


CONTENTS		
Ref.	Qty.	Description
1	1	Cooling System
2	1	Lower Cover
3	1	Mounting Bracket
4	1	Stainless Steel Pan
5	1	Filter Access Door
6	1	Water Filter
H1	4	M4 x 8mm Lg. Torx an Head Anti-Theft Screw 
H2	1	Torx Key 
H3	2	ST4.2*12 Phillips tapping screw 
H4	2	M4 x0 .7x 8mm Lg. phillips Flat Head Screw 
H5	2	Filler Access Door Key 



Remove Lower Cover

Using the Anti-Theft Screw Star Key, remove the (4) screws at the bottom of the Lower Cover. Set Lower Cover aside and save screws for reinstallation.

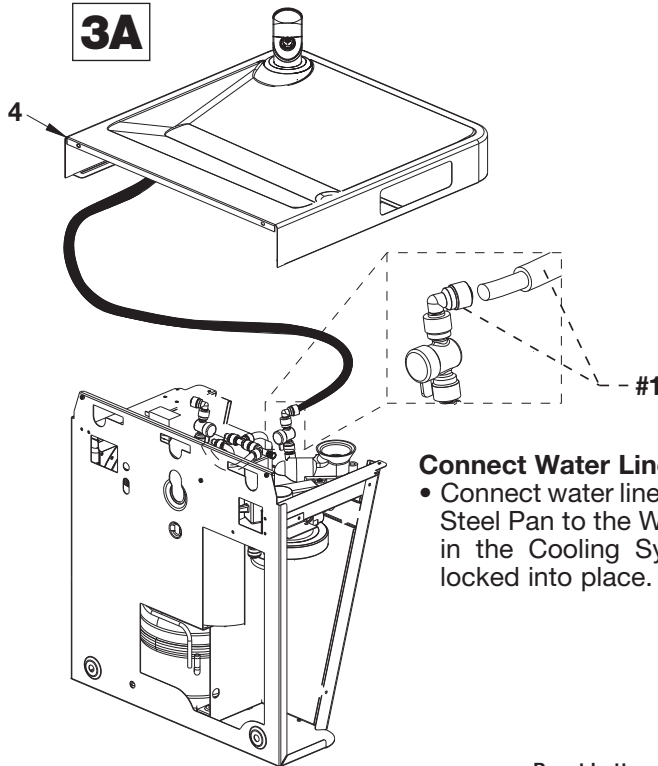


Remove mounting bracket

Using a Phillips head screwdriver, remove the Mount Bracket from the rear of the Cooling System by removing (1) screw. Set bracket aside and save screws for reinstallation.

Wall Mounted Filtered Water Cooler

3A

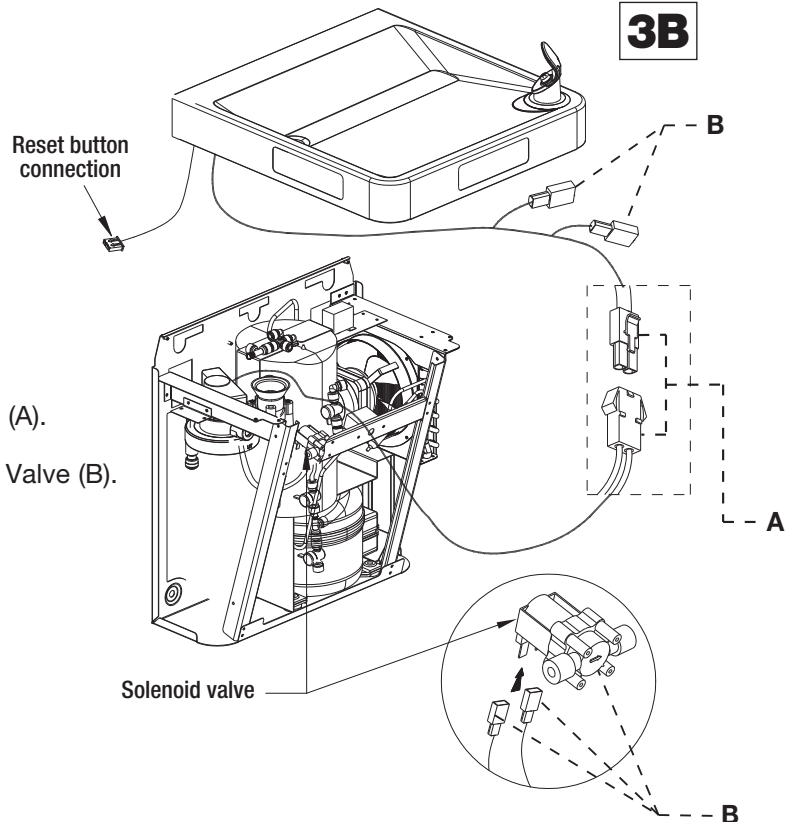


WARNING
Use 2 people
when completing
steps 3A - 3C.

Connect Water Lines

- Connect water line (#1) from the Stainless Steel Pan to the Water Control Valve (#1) in the Cooling System. Push line until locked into place.

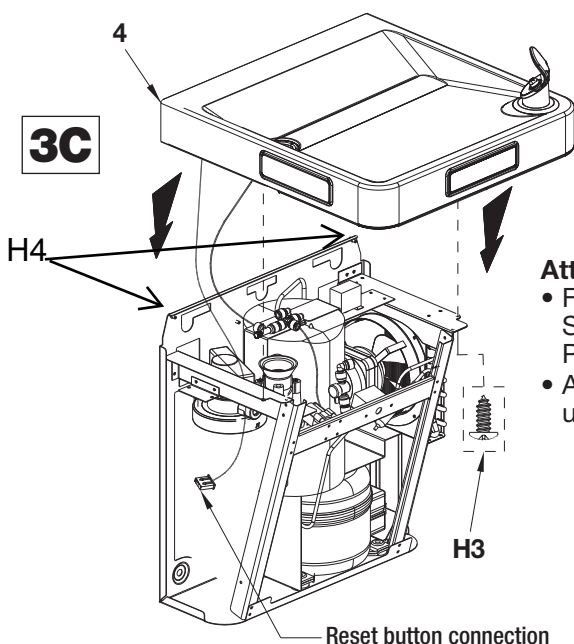
3B



Connect Wire Connectors

- Connect white Activation Connector (A) to Power Supply (A).
- Connect (2) blue Activation Connectors (B) to the Solenoid Valve (B).

3C



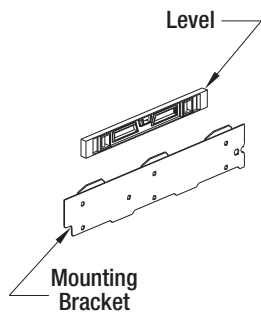
Attach stainless steel pan

- Feed the Reset Button Connection through the Cooling System's frame and carefully lower the Stainless Steel Pan on top of the Cooling System.
- Attach the Stainless Steel Pan to the Cooling System using (2) H3 screws and (2) H4 screws

CAUTION
Avoid crossing wires
against sharp edges

Wall Mounted Filtered Water Cooler

4



Attach mounting bracket to wall

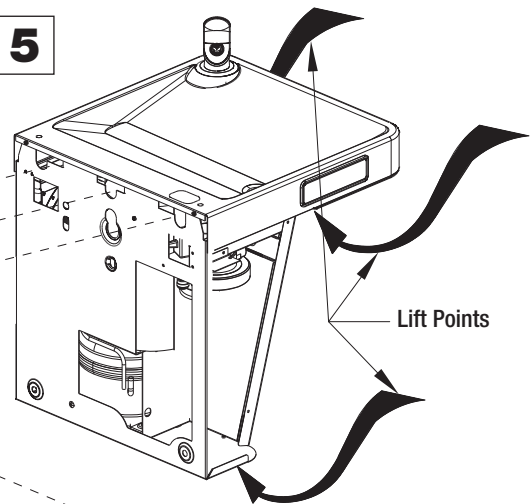
Note: To comply with ADA requirements, the base of stencil must be installed 11" to 14³/₄" from the floor. See Rough-in Guide for additional ADA requirements.

Note: Before installing bracket to the wall, check location of power source, water line and drain.

- Affix stencil with tape to appropriate wall. It is recommended to use a level to ensure the stencil is hung straight horizontally.
- Drill (6) holes appropriate for the wall anchors (75 lb. minimum each) as indicated on the mounting bracket on the stencil. Use appropriate anchors for your wall type.
- Drill (2) holes appropriate for the wall anchors (75 lb. minimum each) as indicated on the bottom support holes on the stencil. Use appropriate anchors for your wall type.
- Remove stencil from the wall and install bracket onto the wall using appropriate anchors.

5

Always wear work gloves when lifting



CAUTION Hanging assembled unit to wall

Carefully hang assembled unit onto the wall by lowering onto mounting bracket.

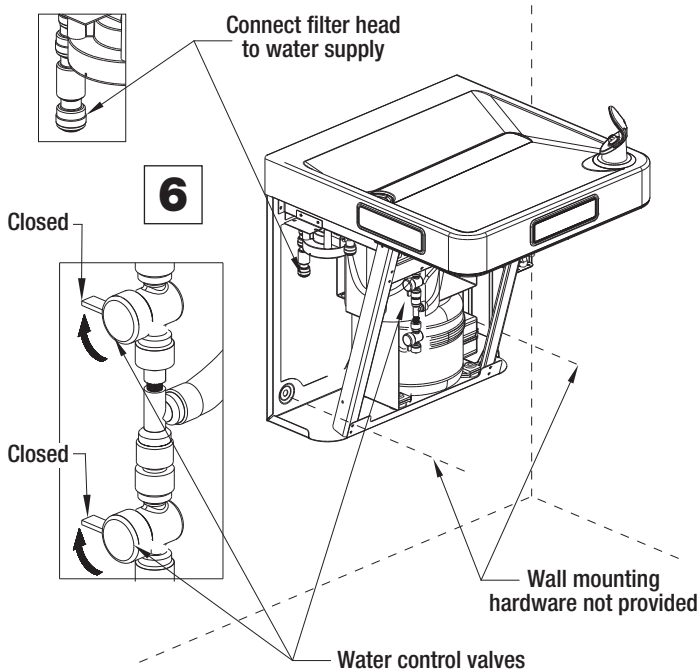
Valve Control

- Ensure water control valves are turned to the closed position.
- Attach 2 screws (not included) through the frame of the Cooling System and into the bottom support holes previously drilled into the wall.
- Connect the buildings water supply to the Filter Head Connection. This connection must be made through the back of the Cooling System.
- Connect the internal drain line to the building's external drain. This connection must be made through the back of the Cooling System.

Note: If cooling system is on its side or back for more than 10 minutes, allow it to stand in the upright position for 24 hours before water connections and initial power-on.

WARNING
Installation of equipment should be performed by 2 people.

6



Wall Mounted Filtered Water Cooler

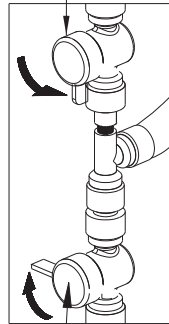
Install water filter

- Remove the receiver protective cover from the water filter.
- Insert filter into the filter head by turning clockwise until locked into place.
- Turn water control valve #1 to the open position.
- Keep water control valve #2 in the closed position
- Check all connections for leaks. If leaks are detected ensure all connections are tight and are fully inserted.

Check local codes for plumbing requirements prior to installation.

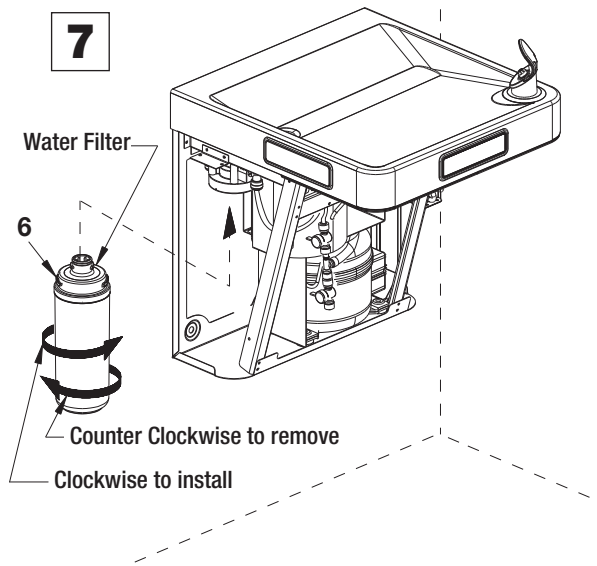
- 8**
- Turn on buildings water supply and check all connections for leaks.
 - Fix any leaks before continuing.
 - Plug power cord into outlet.

Open water control valve #1
(CHECK FOR LEAKS)

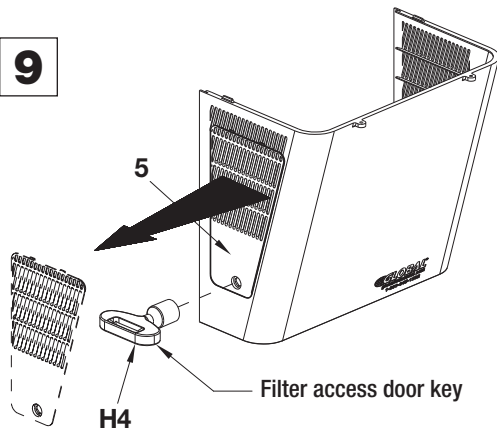


Keep Closed #2

7



9



- Remove the filter access door using the provided key.

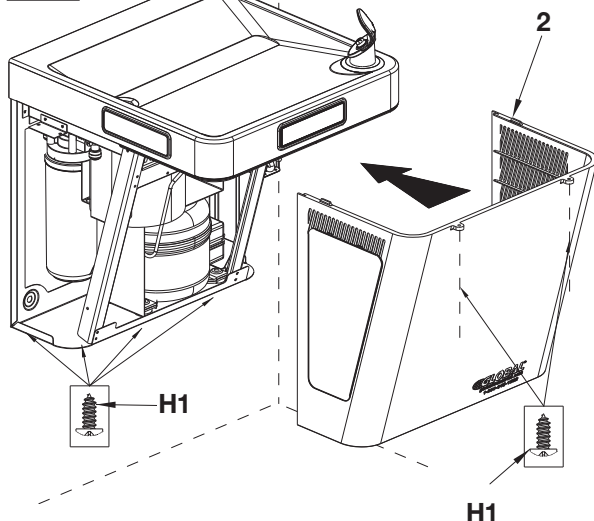
WARNING Risk Of Electrical Shock

- Turn off power prior to performing any maintenance.
 - Verify supply voltage accuracy.
 - Ensure all electrical and grounded connections are in accordance with the National Electrical Code and any other applicable local code requirements.
 - All wiring connections should be capped with approved wire connectors.
- The warnings, precautions, and instructions discussed cannot cover all possible conditions and situations that may occur. Failure to heed these warnings may result in property damage and personal injury.

General Safety Information

- To reduce the risk of property damage, personal injury, electric shock, falling equipment, and other hazards please read all instructions and warnings.
- Installation, service, and maintenance should be
- All parties must follow proper safety procedures and precautions at all times.
- **Do Not Install Damaged Products!**

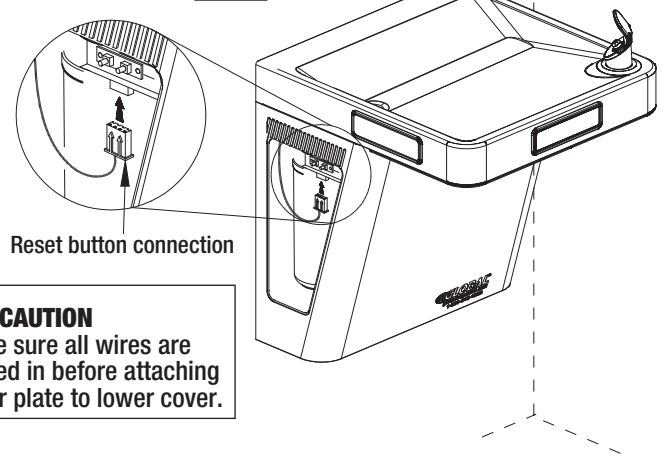
10



Reattach lower cover

- Reattach the Lower Cover to the Cooling System using (6) H1 anti-theft screws.

11



CAUTION
Make sure all wires are tucked in before attaching cover plate to lower cover.

Connect reset cable to activation button

- Connect the Reset Button connection cable to the Activation Buttons located at the top of the filter access door frame.
- Reinstall the filter access door using the provided key.
- Unit is now ready for use.

Wall Mounted Filtered Water Cooler

Operation

Note: Initial water flow may have sputter due to air in the water lines; this will be eliminated once air is purged from all water lines.

To operate drinking fountain, push front or side activation buttons on the stainless steel pan to dispense cooled-filtered water from the bubbler.

Adjusting Settings

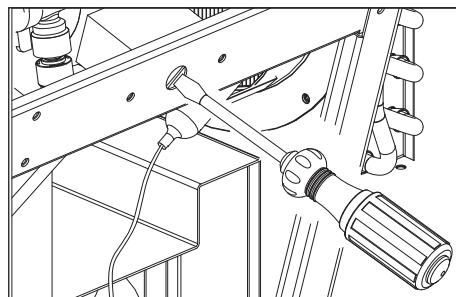
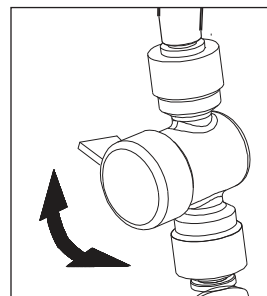
Water Flow Pressure: Adjust the water flow pressure as needed by turning the water control valve. Turn clockwise to decrease the water pressure, or counterclockwise to increase the water pressure.

Note: When adjusting, aim water flow to the center of the stainless steel pan.

Note: Initial dispenses may have air in line which may cause a sputter. Allow a few seconds for air to be purged from the water line.

Water Temperature: Machine comes with a preset water temperature of around 45°F. If a different temperature is required, remove Lower Cover and access the thermostat on the front housing frame. Using a flathead screwdriver, turn thermostat screw clockwise to lower temperature setting.

Note: Please allow 5-10 minutes for water temperature to change.

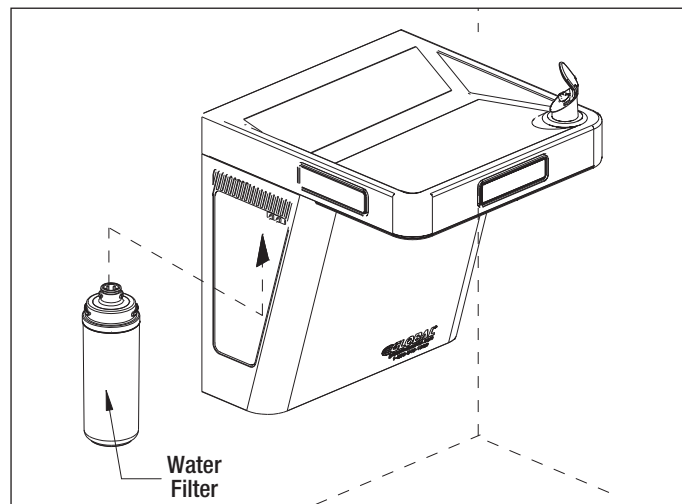
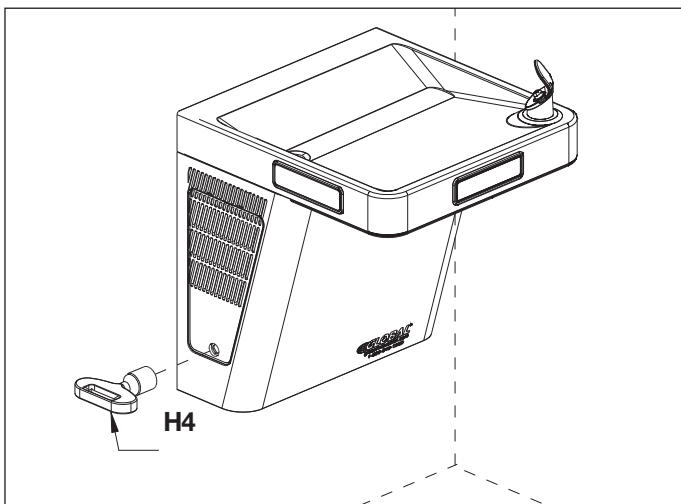


Installing/Replacing Filter

1. Remove filter access door on the lower cover using the provided key (H4).
2. Grasp old filter and turn counterclockwise to remove from the filter head.

3. Insert new filter onto filter head by turning the filter clockwise until locked into place.
4. Reinstall and lock the filter access door.

Replacement Filters: Model 761215 or 761215PF
For more information visit: globalindustrial.com or call 1-800-645-2982.



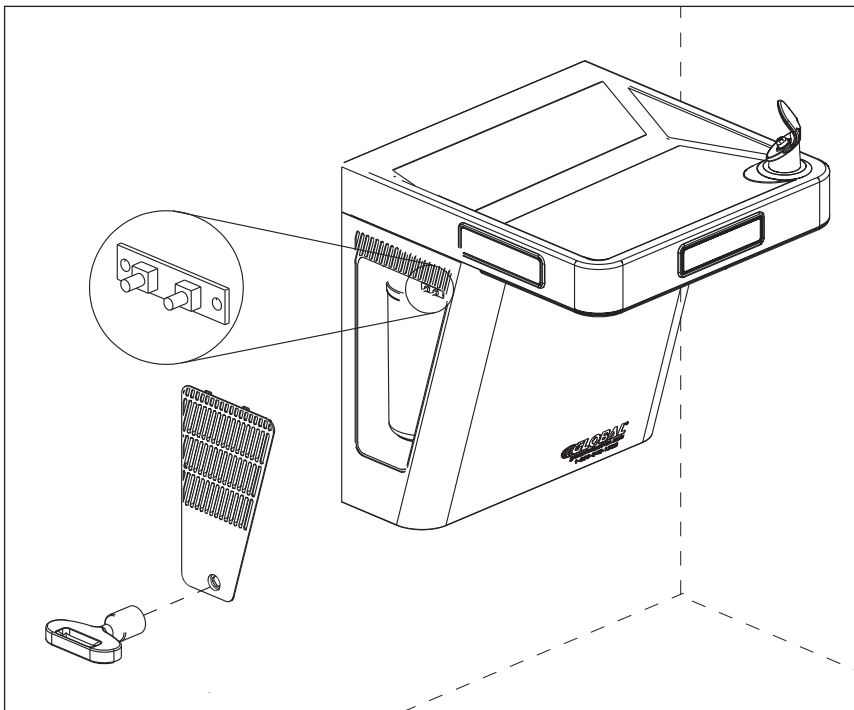
Filter Status Lights	
When filter level is at 100%	5 LED bars will be displayed
When filter level is at 80%	4 LED bars will be displayed
When filter level is at 60%	3 LED bars will be displayed
When filter level is at 40%	2 LED bars will be displayed
When filter level is at 20%	1 LED bar will be displayed
When filter level is at 10%	1 LED bar will be displayed and will FLASH
When filter level is at 0%	5 LED bars will be displayed and will FLASH

Wall Mounted Filtered Water Cooler

Programming Settings

Accessing the Programming Buttons:

To access the programming buttons, open the filter access door on the lower cover using the provided key (H4). The two program buttons are located on the top of the filter access door frame.



Resetting Filter Status

Note: This step is not required for initial use

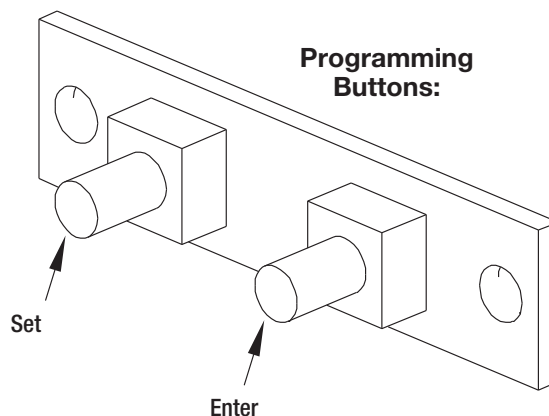
1. Press and hold **ENTER** button for 5 seconds, until all 5 LED lights flash.
2. Tap **SET** button; all 5 LED lights will be displayed.
3. Press and hold **ENTER** button for 5 seconds to reset filter status.

Select Filter Size

1. Press and hold **ENTER** button for 5 seconds, until all 5 LED lights flash.
2. Tap **SET** button to access Filter Size mode:
 - Tap **SET** button 1 time to select 3600 gallon filter option. 4 LED light will be displayed.
 - Tap **SET** button 2 times to select 3000 gallon filter option. 3 LED lights will be displayed.
 - Tap **SET** button 3 times to select 1500 gallon filter option. 2 LED lights will be displayed.
 - Tap **SET** button 4 times to select NO filter option. 1 LED light will be displayed.
3. Tap **ENTER** button to confirm filter size.

Note:

- System will timeout and revert to previous setting if no selection is made within 2 minutes.
- If "NO" filter option is selected, zero LED status bars will be displayed in standard view.
- Filter size does not need to be reselected if replacing a filter with the same capacity as the previously used filter.



Wall Mounted Filtered Water Cooler

Maintenance

WARNING

ALWAYS disconnect power and shut-off main water supplier prior to maintenance. Observe entire unit for **possible** water leakage.

- Inspect Cooling System every 6 months for leakage, proper operation and performance.
- When cleaning, do not use harsh chemicals, abrasive or petroleum based cleaners. Doing so will void warranty.
- Exterior parts can be cleaned using a soft cloth with mild detergents or soapy water. Do not use steel soap pads. Rinse and towel dry.

- Extra caution should be used to clean mirror finished stainless steel panels, as they can be easily scratched.
- Periodically clean cabinet ventilation louvers and condenser fins with a vacuum cleaner, or air hose to avoid excess dirt.
- Periodically remove the Lower Cover of the Cooling System the and clean out water drain.

Note: Wiping the surface clean to remove debris or build up will not hurt the antimicrobial properties.

Troubleshooting

Issue	Possible Cause	Suggested Action
Water Temperature not Cool	The thermostat is set too high	Lower the water temperature on the thermostat (see Adjusting Settings, page 8).
	No power to unit	<ul style="list-style-type: none"> • Check power cord • Check the electrical receptacle for power and correct voltage; electric supply must be identical in voltage, cycle and phase to that specified on nameplate • Check for loose wires within the Cooling System • Check to see if GFCI outlet tripped
Restricted or No Water Flow	Water control valve(s) are closed	Access water control valve and turn on. Adjust water flow pressure as needed (see Adjusting Settings, pg 10)
	Blockage in water line	Check water supply lines and flush out any blockage
	The filter is blocked	Change filter
Noisy Operation	Condenser fan blades not turning freely	Clear fan blades free from any restrictions
	Hardware rattling	Ensure hardware is tightened