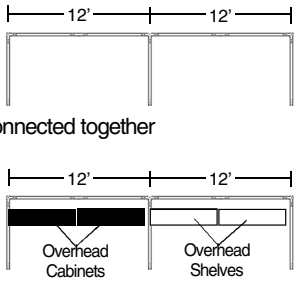


WARNING

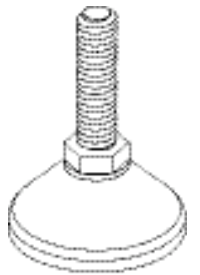
In order to prevent structural failure, instability, tip-over, and/or serious injury, please follow instructions carefully. Do not use hanging shelf or overhead cabinet with panels that have glass.

- Use only the instructions, parts and hardware included
- Maximum span for connected panels without support is 12 feet
- Do not move panels while they are connected together
- Maximum span for connected panels using overhead cabinets or shelves without support is 12 feet
- Requires 2 people for assembly
- Not for outdoor or high humidity areas



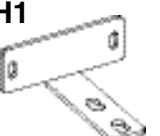
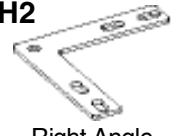

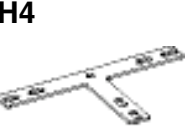
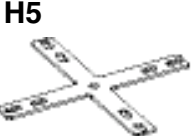
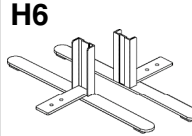
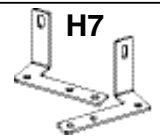
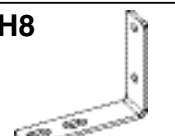
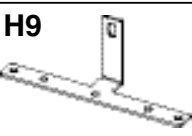
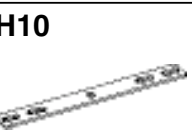


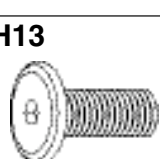
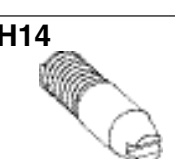
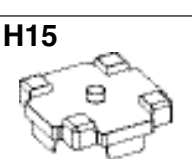
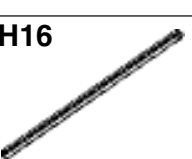
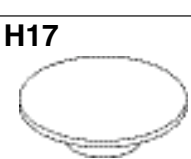
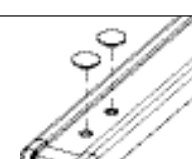
ASSEMBLY

- Configurations require the corresponding steps needed for proper assembly.
- Attach appropriate brackets or legs on the ends of the panels as needed.
- Panels must be level. Level each panel.
- Do not attach bolts or brackets into the outermost edge of a panel that will be last in line.
- Starter panel should use a corner, 3-way, 4-way, or wall bracket.
- Insert bolt cap into unused threaded insert to finish your project.
- Level each panel as you go along.



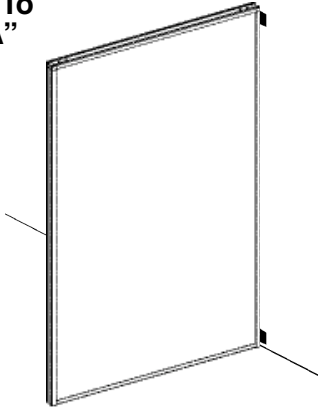
Adjust all levelers to approximately 1-1/4"

HARDWARE

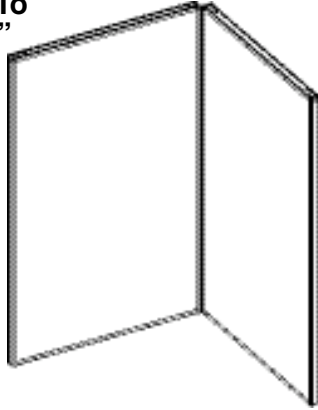
<p>H1</p>  <p>Wall Bracket</p>	<p>H2</p>  <p>Right Angle (90°) Connector</p>	<p>H3</p>  <p>Straight Connector</p>	<p>H4</p>  <p>3-way Connector</p>	<p>H5</p>  <p>4-way Connector</p>	<p>H6</p>  <p>T-Leg</p>
<p>H7</p>  <p>Hi-Low (90°) Right/Left Connector</p>	<p>H8</p>  <p>90° Connector</p>	<p>H9</p>  <p>Low-Hi (90°) 3-Way Connector</p>	<p>H10</p>  <p>Straight Extension</p>	<p>H11</p>  <p>Screw</p>	<p>H12</p>  <p>Toggle Bolt</p>
<p>H13</p>  <p>Hex Bolt</p>	<p>H14</p>  <p>Threaded Stud</p>	<p>H15</p>  <p>Panel Filler Cap</p>	<p>H16</p>  <p>Panel Filler Post</p>	<p>H17</p>  <p>Bolt Cap</p>	

Office Partitions

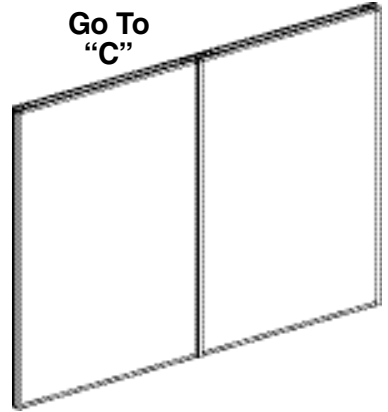
Go To
"A"



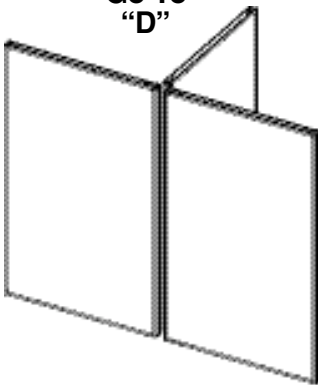
Go To
"B"



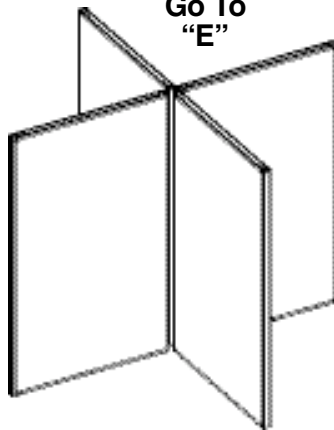
Go To
"C"



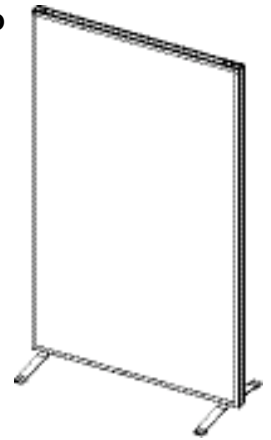
Go To
"D"



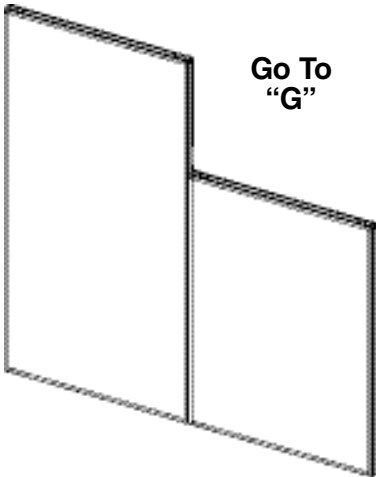
Go To
"E"



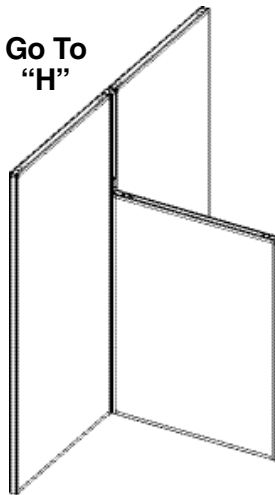
Go To
"F"



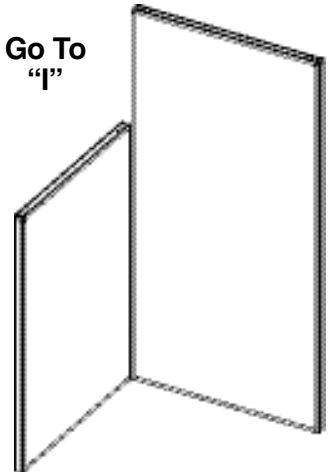
Go To
"G"



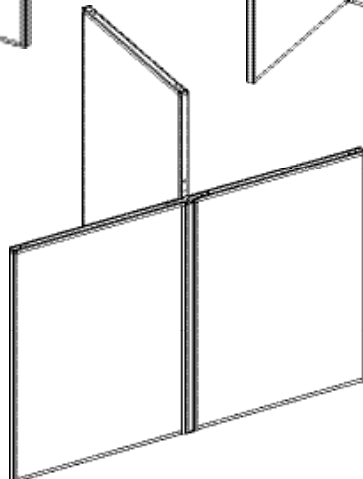
Go To
"H"



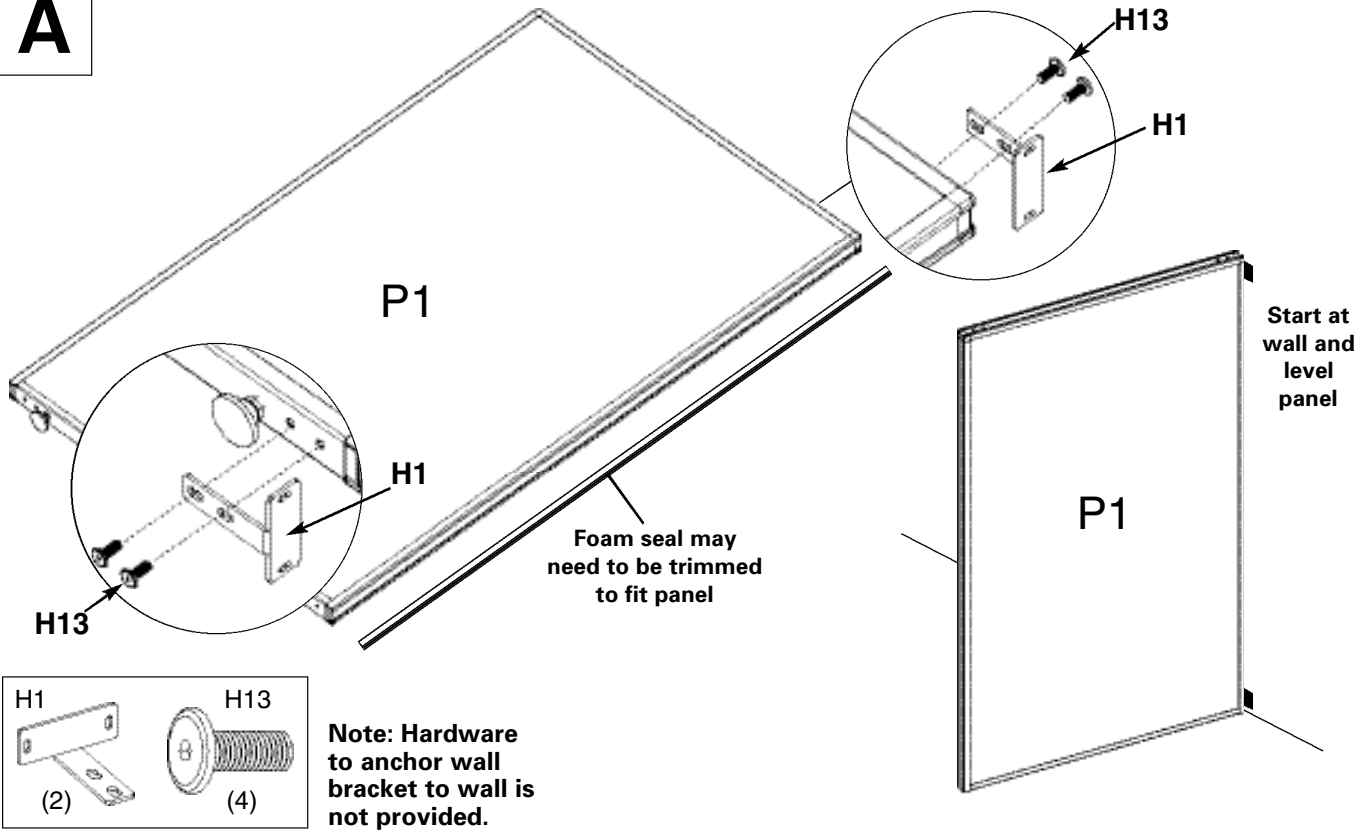
Go To
"I"



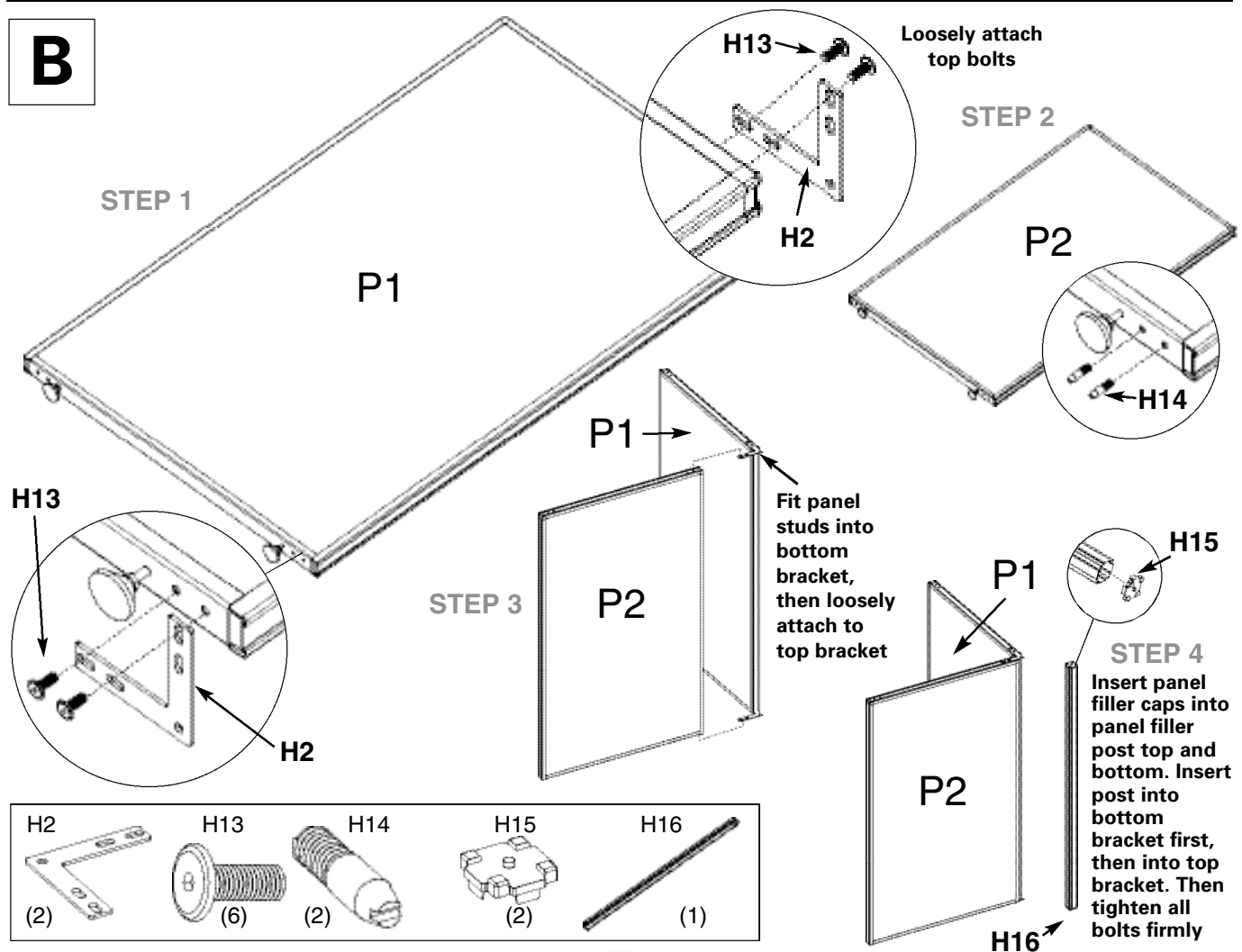
Go To
"J"



A

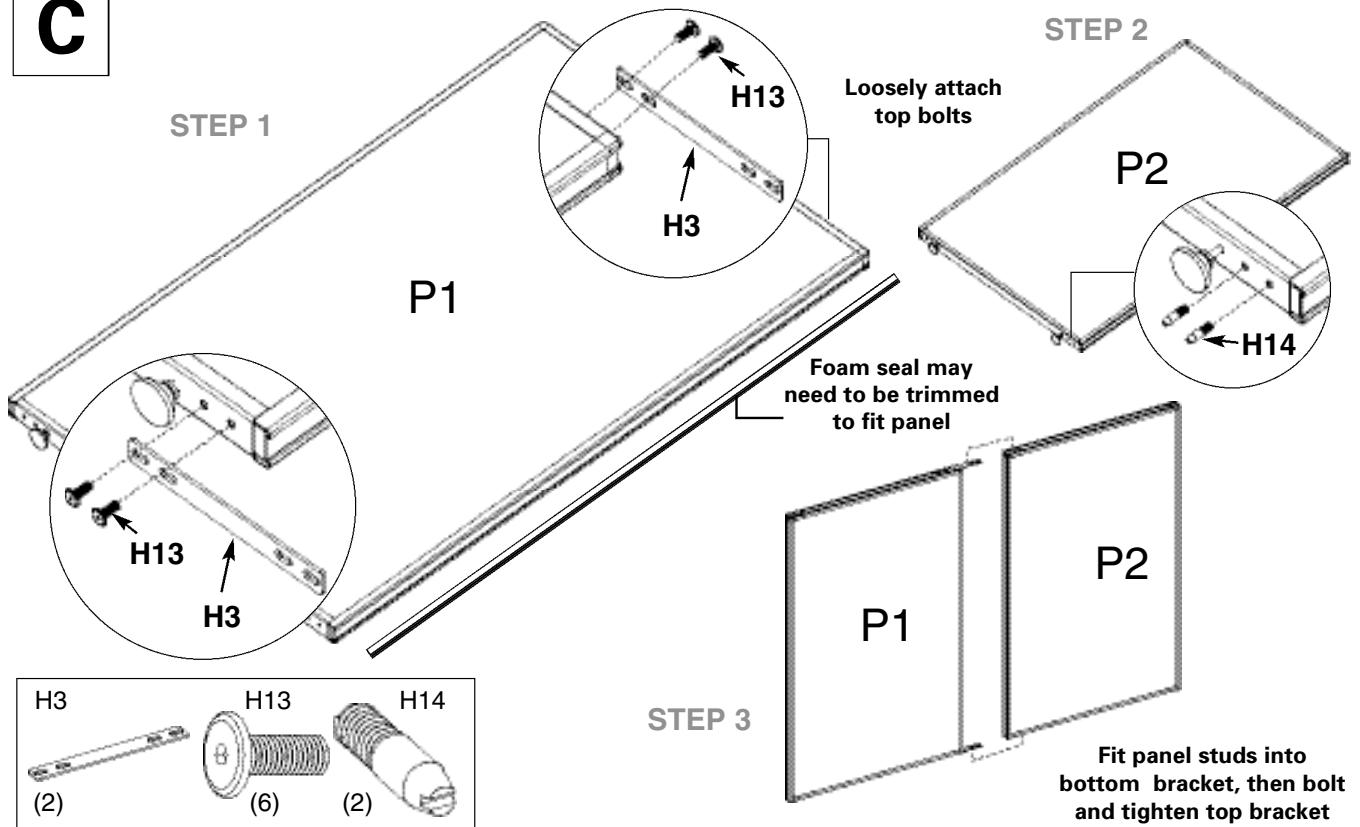


B

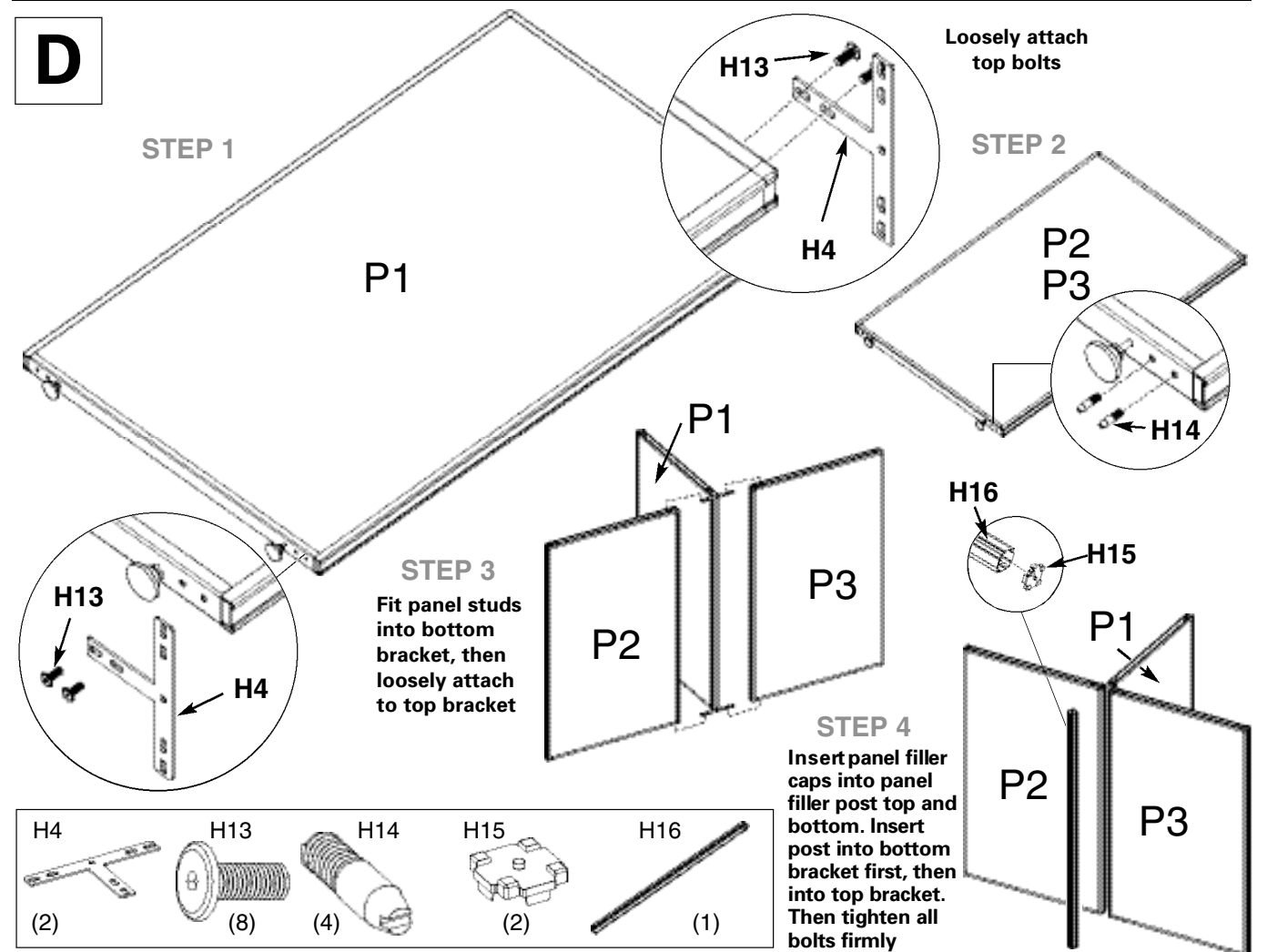


Office Partitions

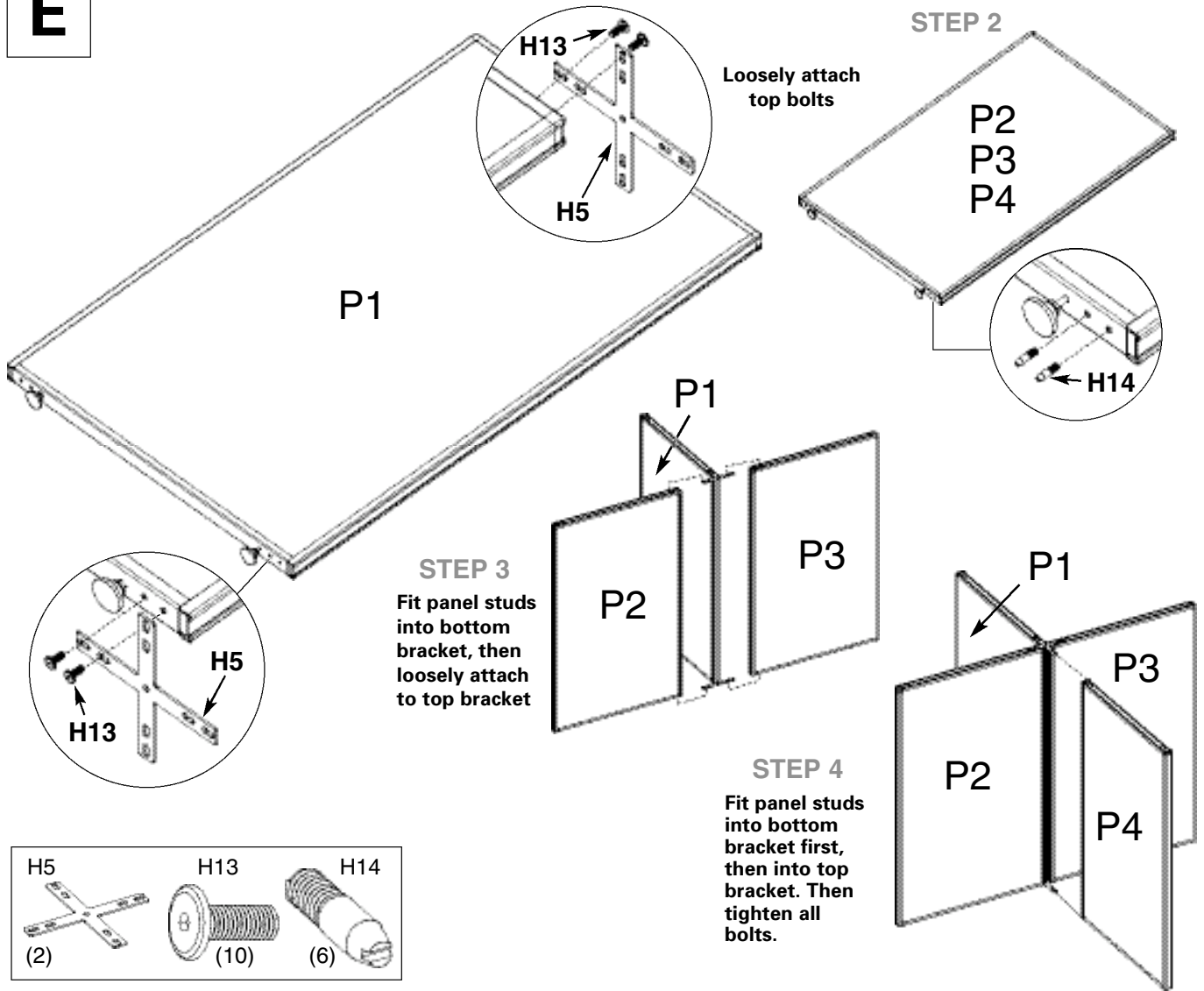
C



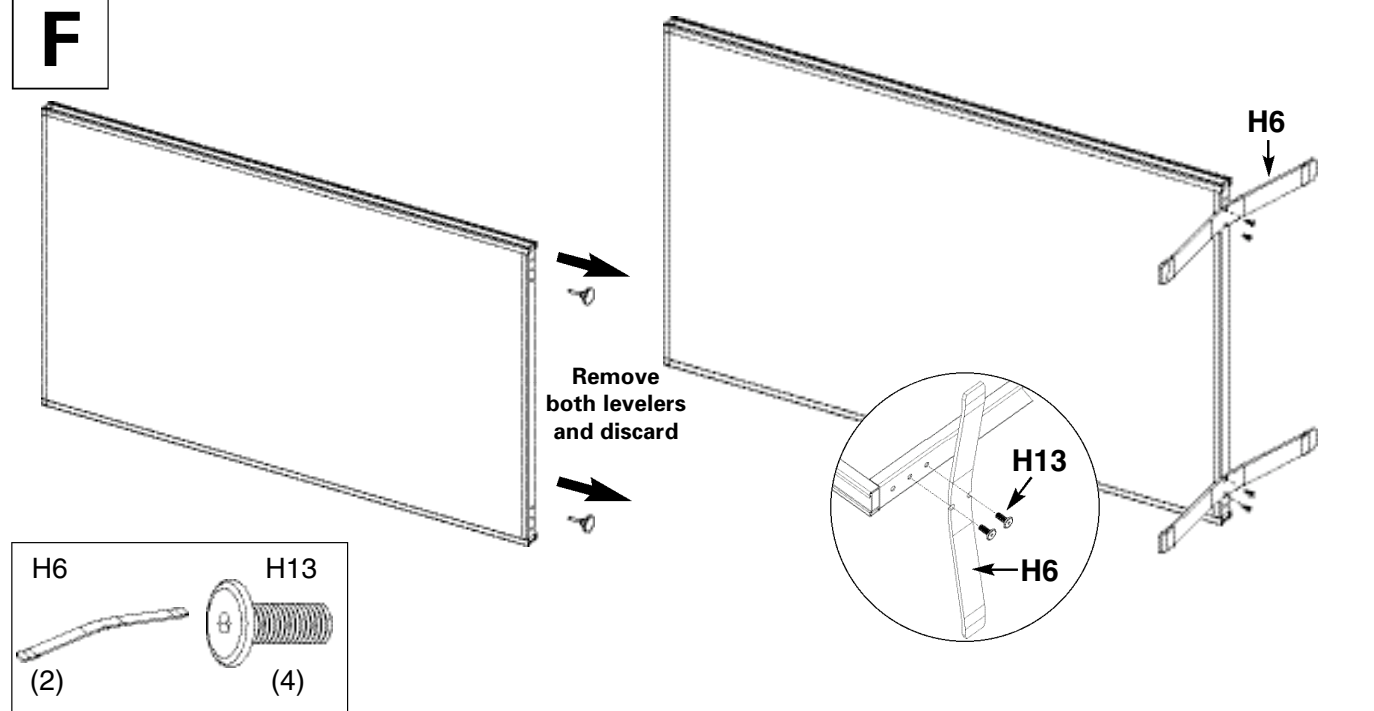
D



E

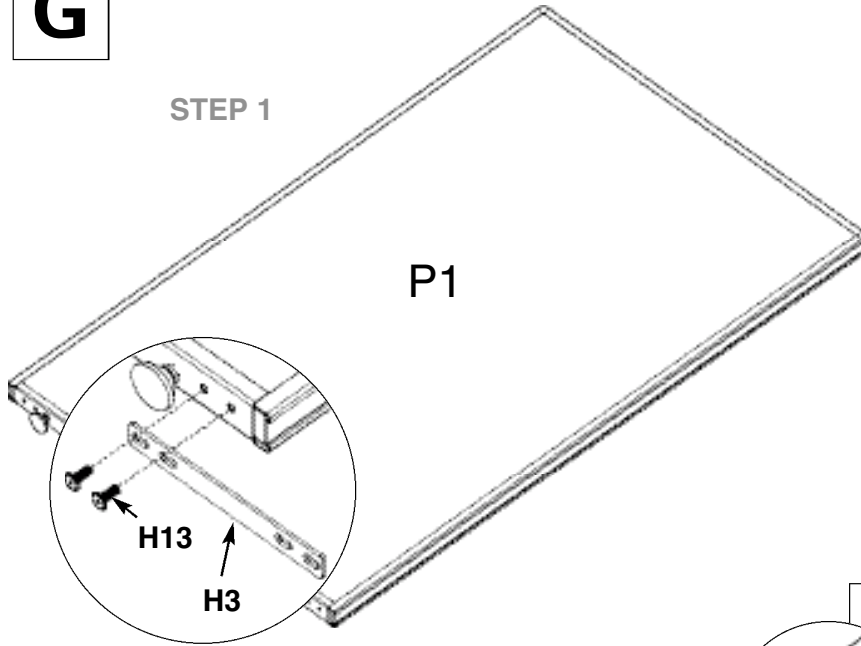


F



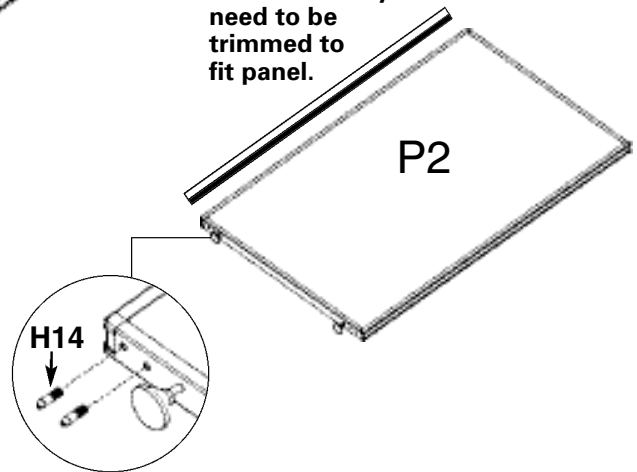
G

STEP 1



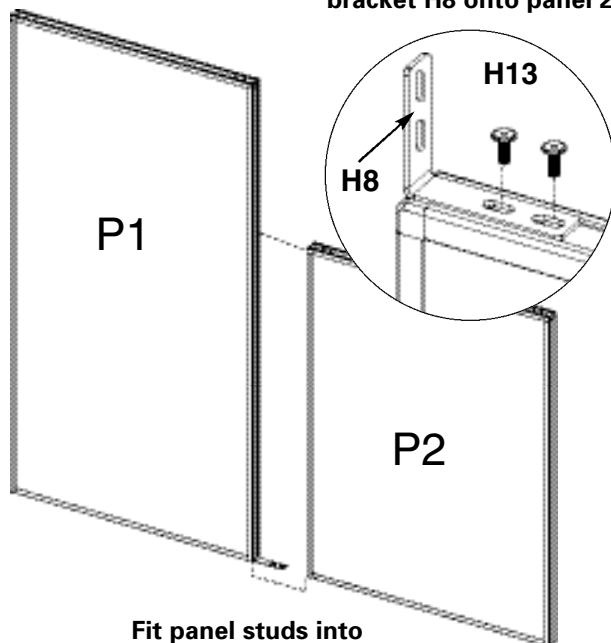
STEP 2

Foam seal may need to be trimmed to fit panel.



STEP 3

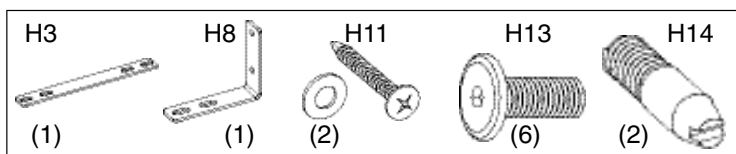
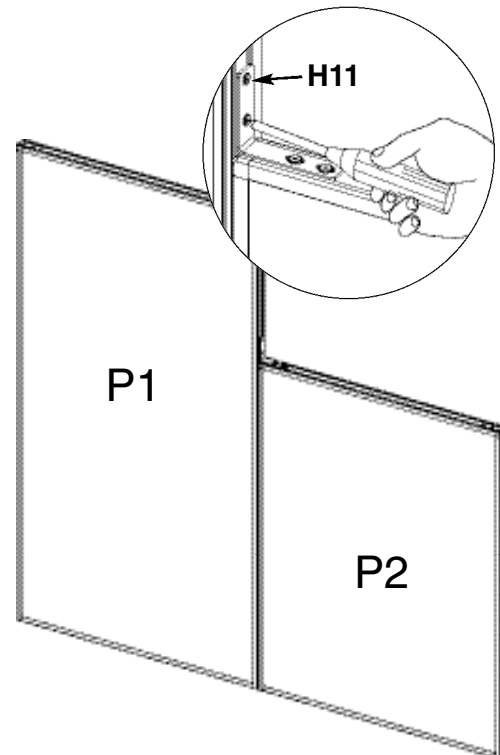
Bolt and tighten top bracket H8 onto panel 2.



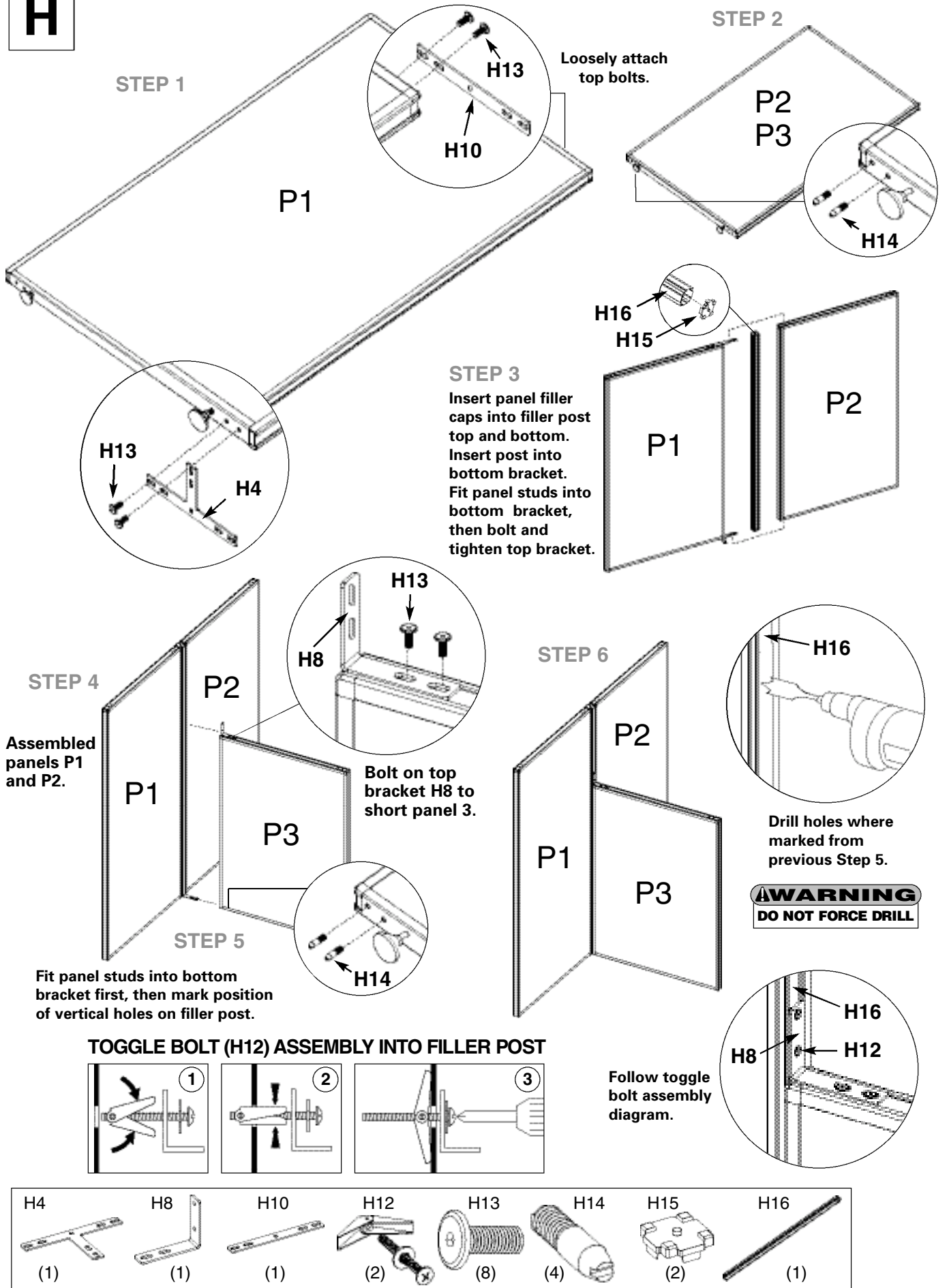
Fit panel studs into panel bracket.

STEP 4

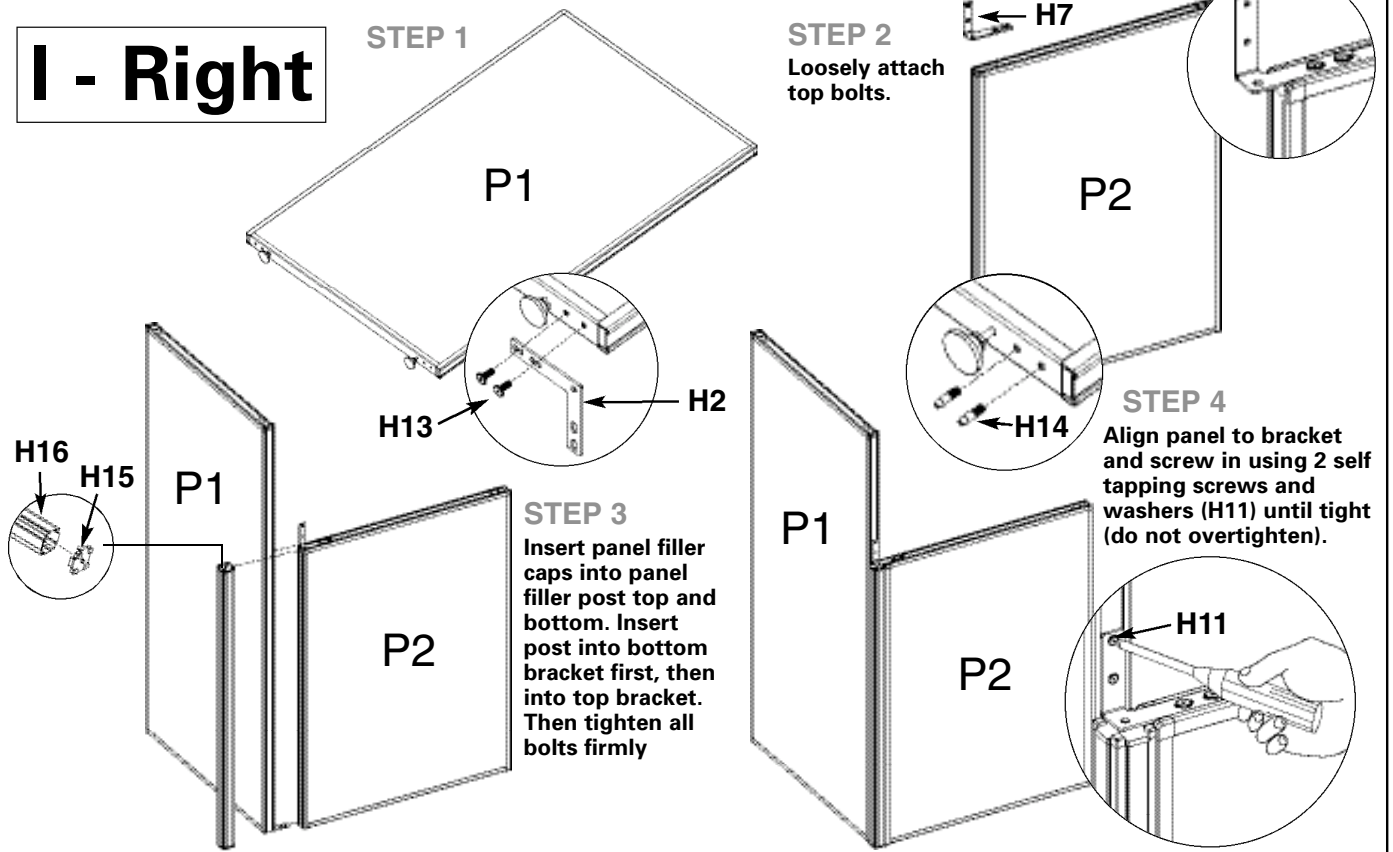
Align panel to bracket and screw in using 2 self tapping screws and washers (H11) until tight (do not overtighten).



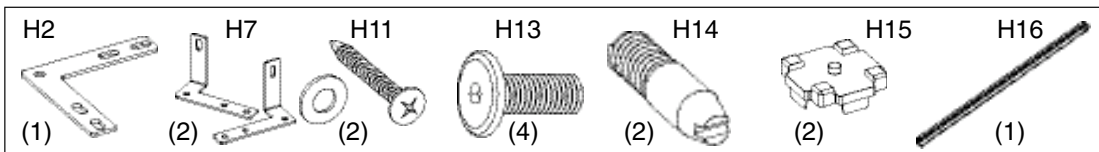
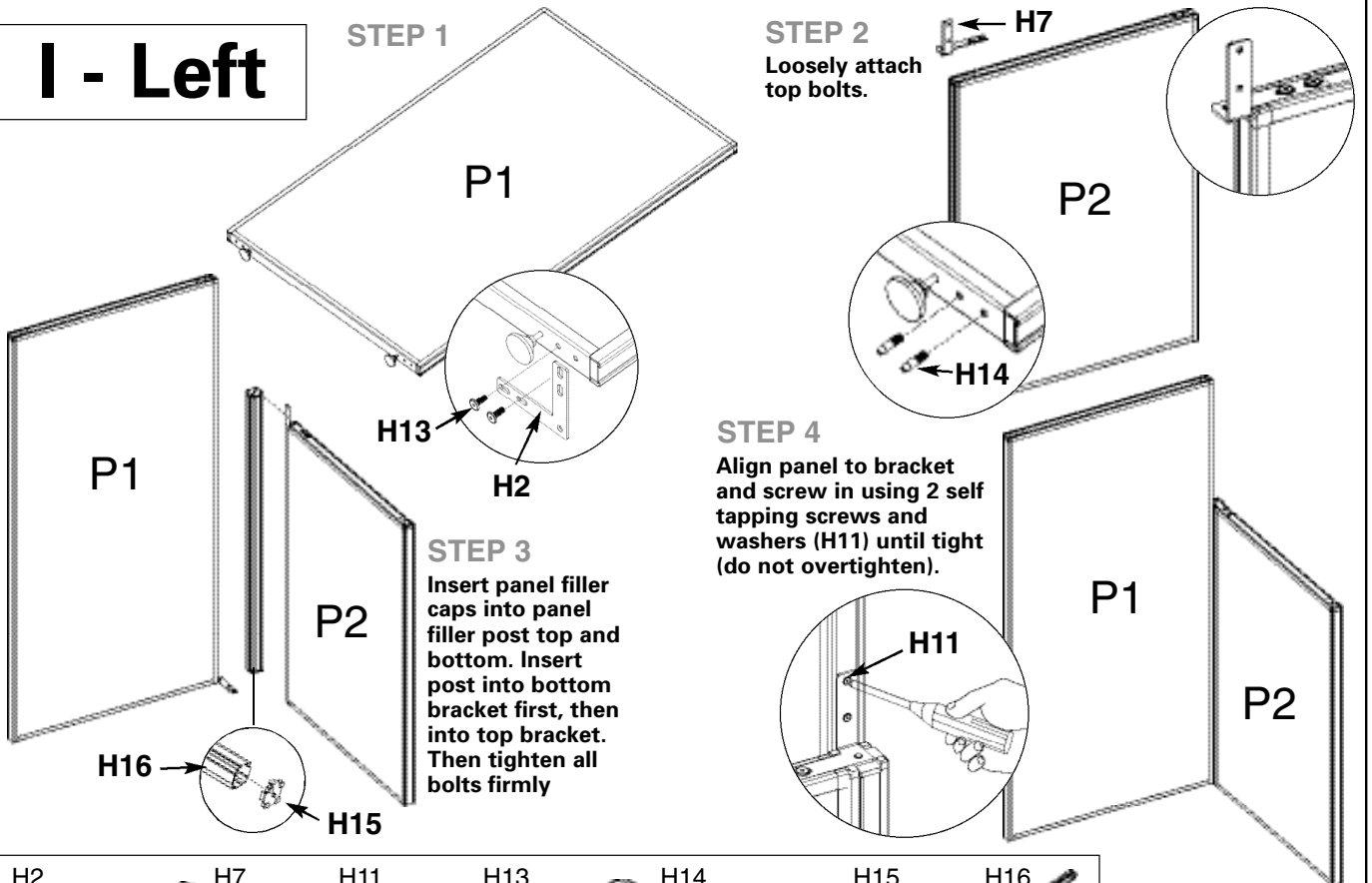
H



I - Right



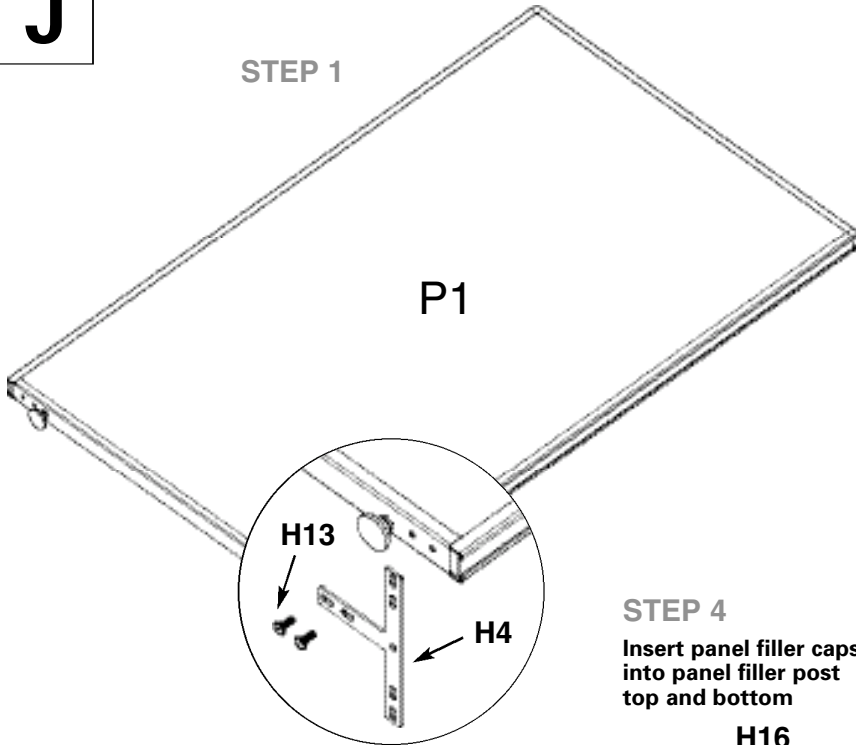
I - Left



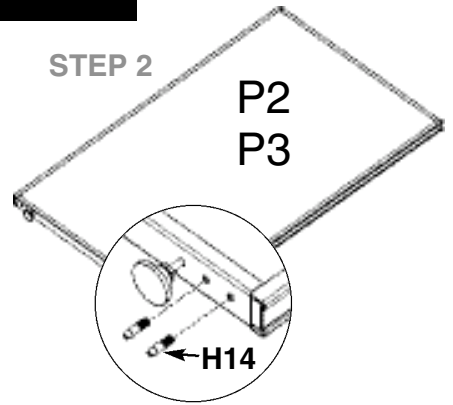
Office Partitions

J

STEP 1

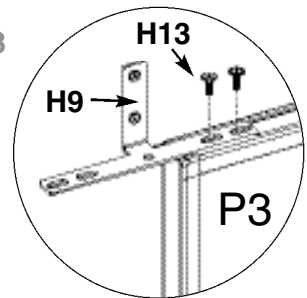


STEP 2



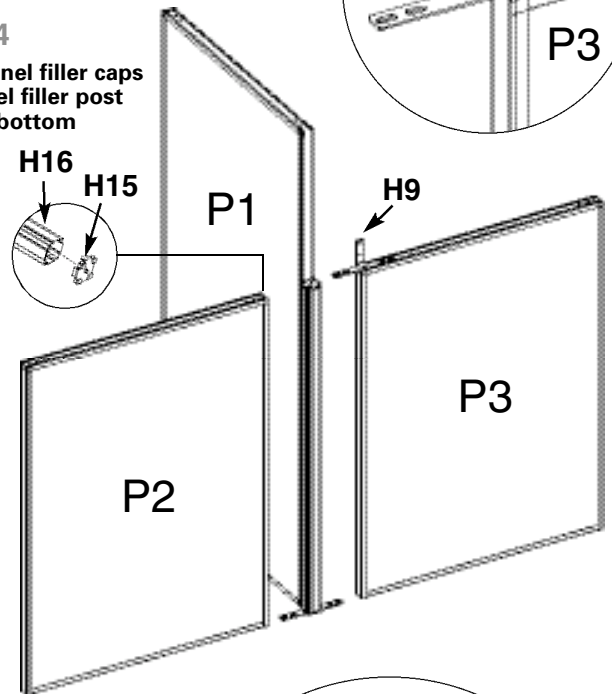
STEP 3

Loosely attach top bolts



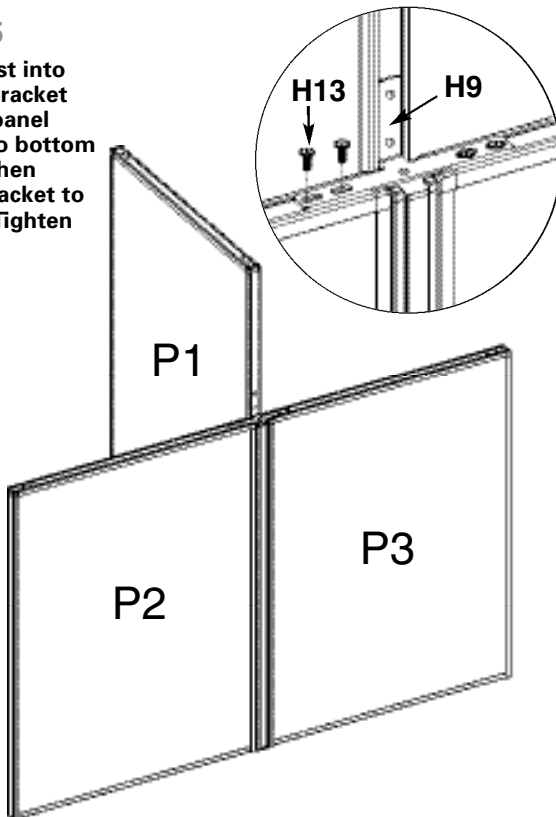
STEP 4

Insert panel filler caps into panel filler post top and bottom



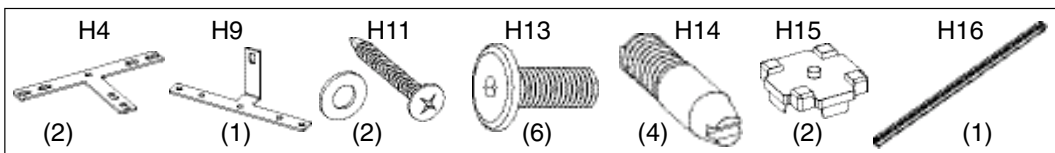
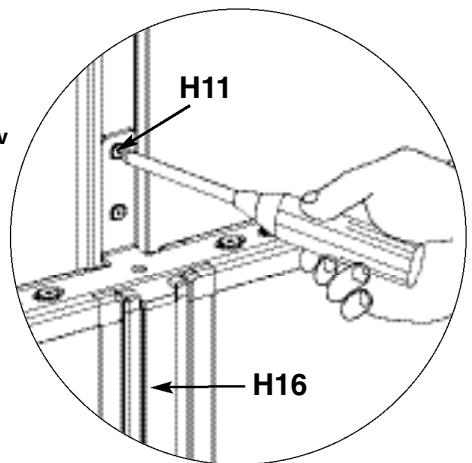
STEP 5

Insert post into bottom bracket first. Fit panel studs into bottom bracket then attach bracket to panel 2. Tighten bolts



STEP 6

Align panel 1 to bracket and screw in self tapping screws and washers H11 into side of panel 1.



Office Partitions Layout

