

1-800-645-2986

WIRE MESH SECURITY PARTITION

Assembly Instructions

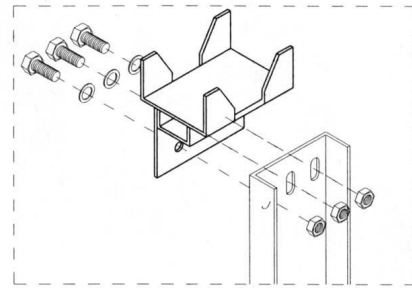
6 Assemble roof panels. Bolt panels to roof mounting angle and roof beam.

ROOF PANEL WITH WARNING LABEL FACING UP



7

Attach yoke bracket to channel stiffener post.



CHANNEL STIFFENER

8 Attach channel stiffener post at junction of 4 roof panels. Post must be secured to floor (hardware not supplied).

SEE DETAIL "E"

DETAIL "E"

ROOF PANEL

CHANNEL STIFFENER POST

9

Tighten all nuts and bolts.

NOTE: MAKE SURE THAT CHANNEL STIFFENER POST ARE IN A PLUMB POSITION BY USING A LEVELING DEVICE ON (2) SIDES OF THE CHANNEL STIFFENER POST.

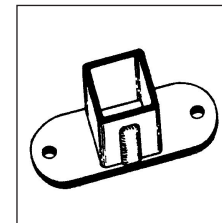
Customer Service
1-800-645-2986



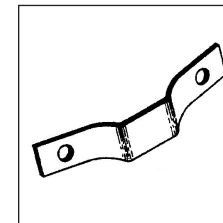
WIRE MESH SECURITY PARTITION

Assembly Instructions

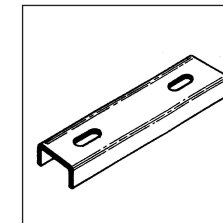
PANEL PARTS



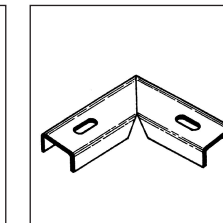
Floor Socket



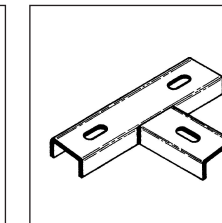
Wall Clip



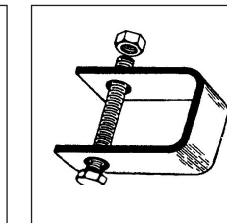
Top Capping Splice Plate



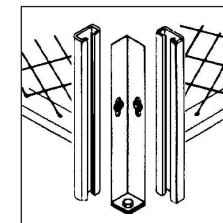
Top Capping Corner Splice Plate



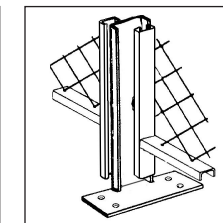
3-Way Splice Plate



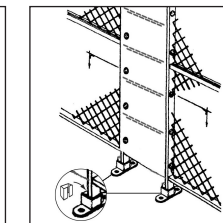
3-Way Clip



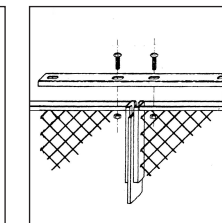
Corner Post



Channel Stiffener Post

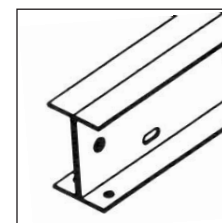


Fill-A-Gap Panel

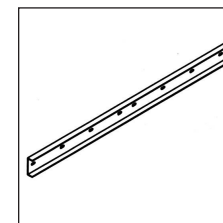


Top Capping Channel

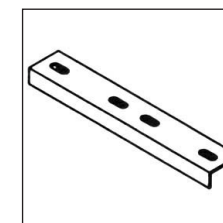
ROOF PARTS



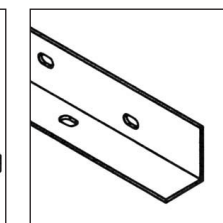
Roof Beam



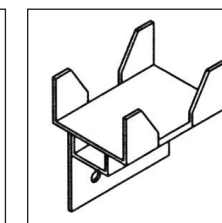
Roof Beam Splice



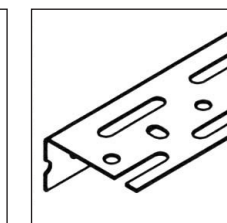
Beam Support Bracket



Roof Mounting Angle

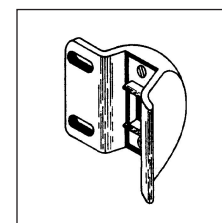


Yoke Bracket
(Included As part Of Roof Beam Splice Kit)

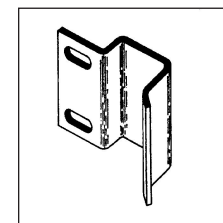


Wall Mount Slotted Angle

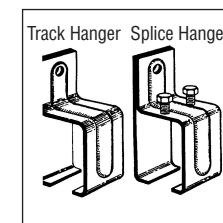
DOOR PARTS



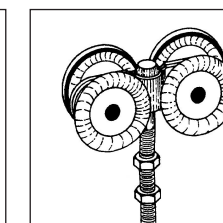
Latch Receiver
(Already Attached)



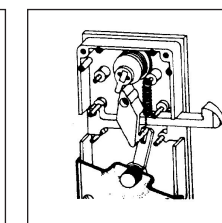
Bottom Slam
(Already Attached)



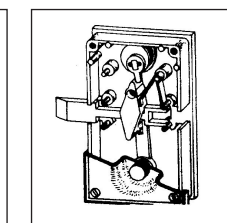
Track Hanger
Splice Hanger



Wheel Trolley



Slide Lock
(Already Installed)



Swing Lock
(Already Installed)

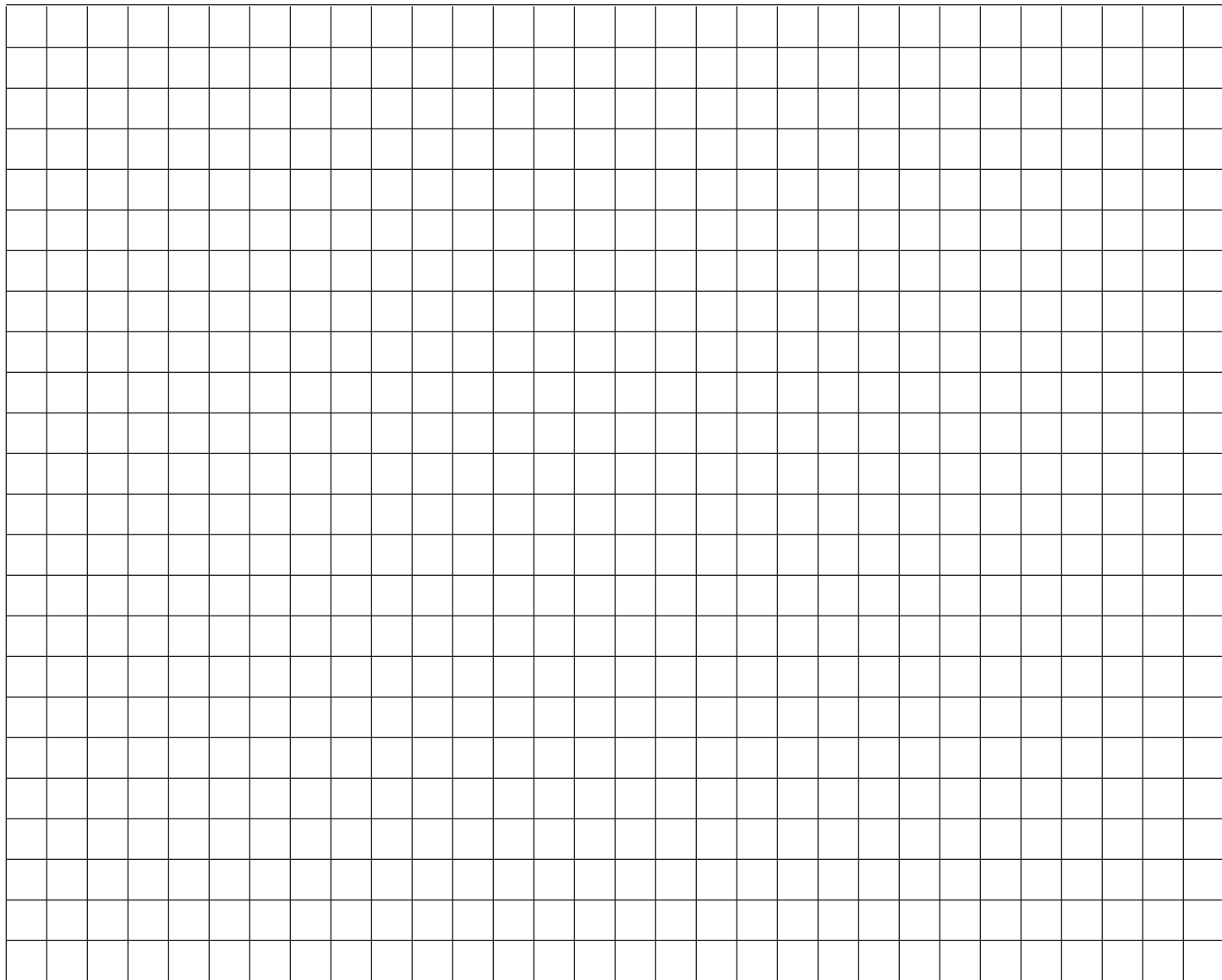
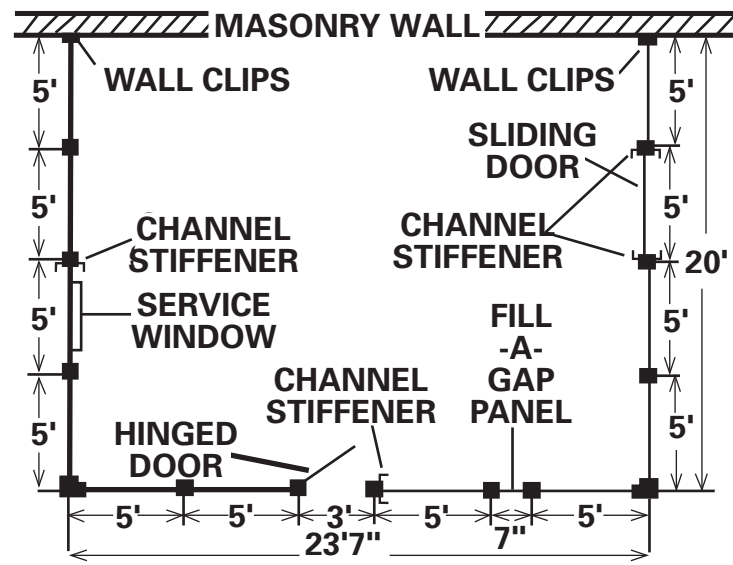
1-800-645-2986

WIRE MESH SECURITY PARTITION

Assembly Instructions

HOW TO PLAN AND ORDER

1. Make a rough floor plan of the area to be enclosed and take measurements showing them on the drawing.
2. Indicate panels, doors, service windows, size and location of doors on the drawing. Show the direction of the door slide or hinges either left or right handed, swinging in or out.
3. At least 2 people required to assemble partition.
4. Snap chalk lines indicating walls.
5. If starting at an existing wall, start first panel from wall. If it is a free-standing room, start at a corner.
6. Bolt panels together loosely. DO NOT secure floor sockets to the floor until fully assembled.
7. Install channel stiffener posts every 10-15 feet. Channel stiffener posts are included with doors. See drawing for placement.
8. After all panels and doors are assembled, attach top capping channel. Top capping channel should span panels and splices should be in the middle of a panel for maximum strength. For rooms with roofs see page 5 for assembly instructions.
9. Tighten panel bolts.
10. Attach floor sockets using appropriate hardware (NOT Included)

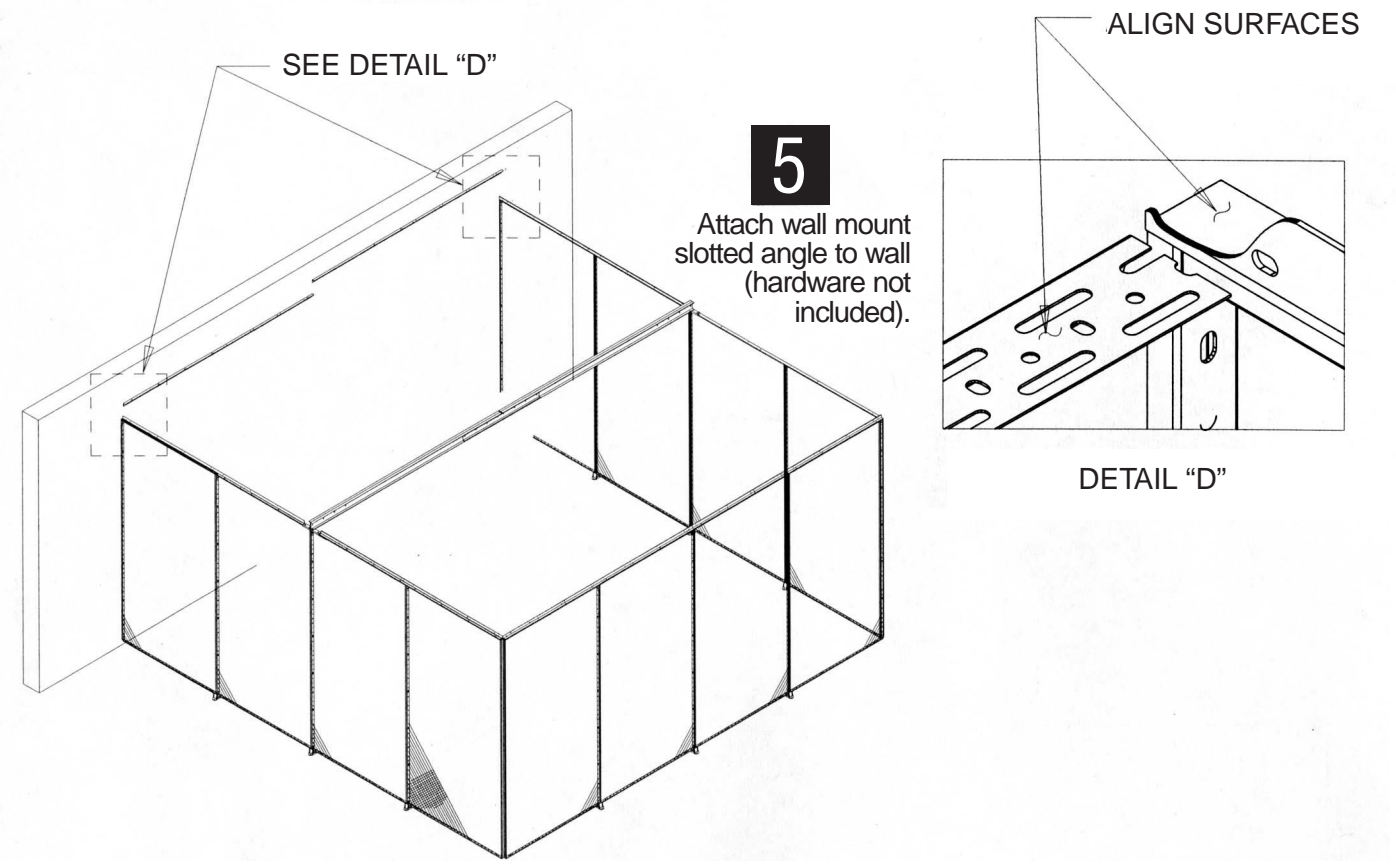
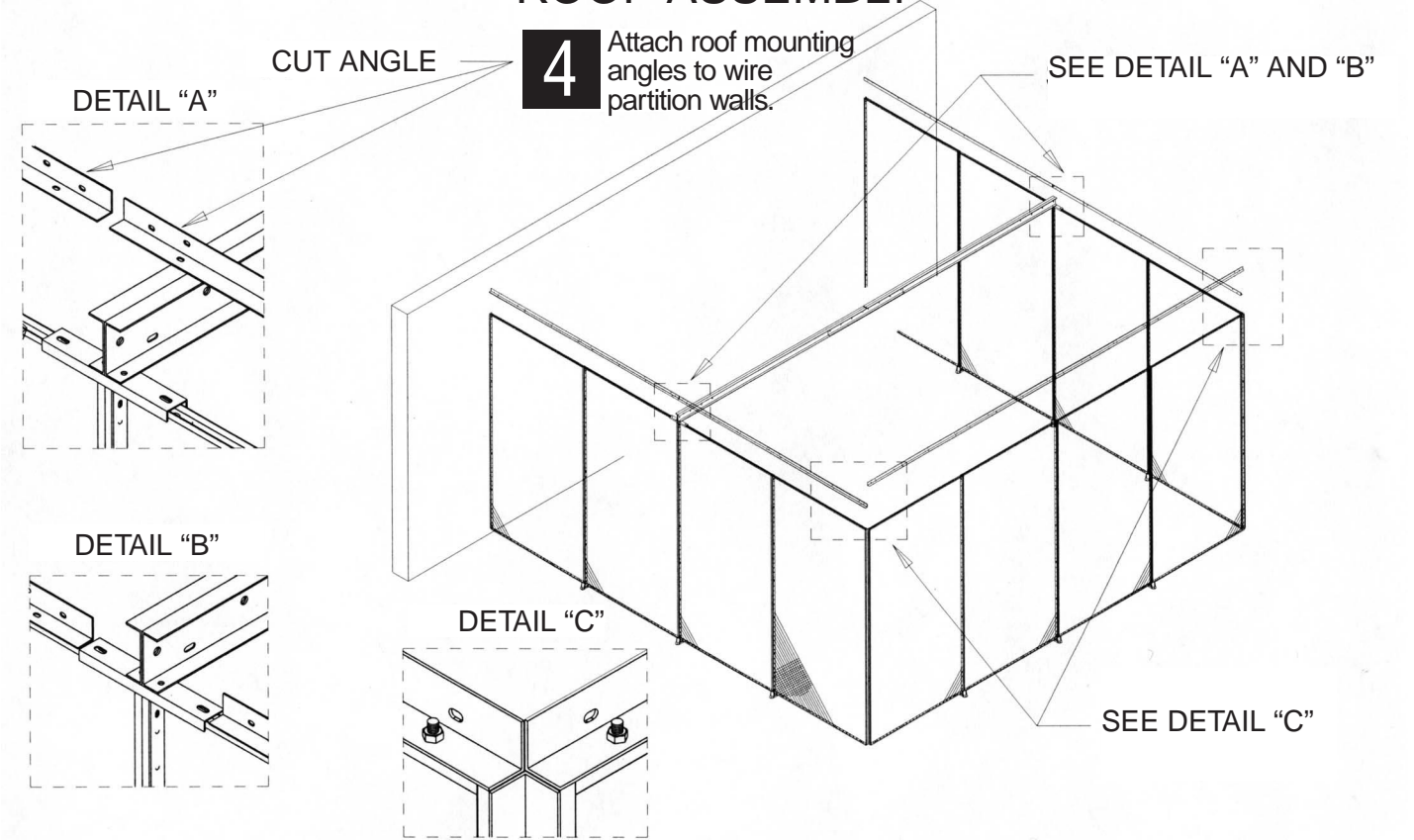


1-800-645-2986

WIRE MESH SECURITY PARTITION

Assembly Instructions

ROOF ASSEMBLY



1-800-645-2986

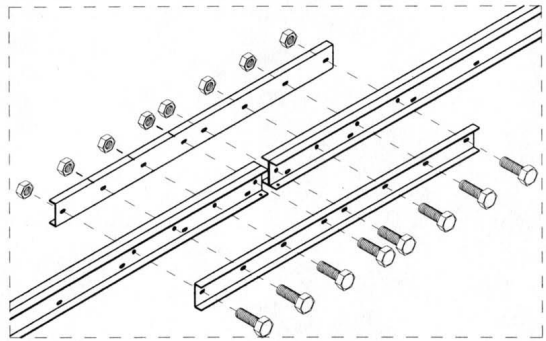
WIRE MESH SECURITY PARTITION

Assembly Instructions

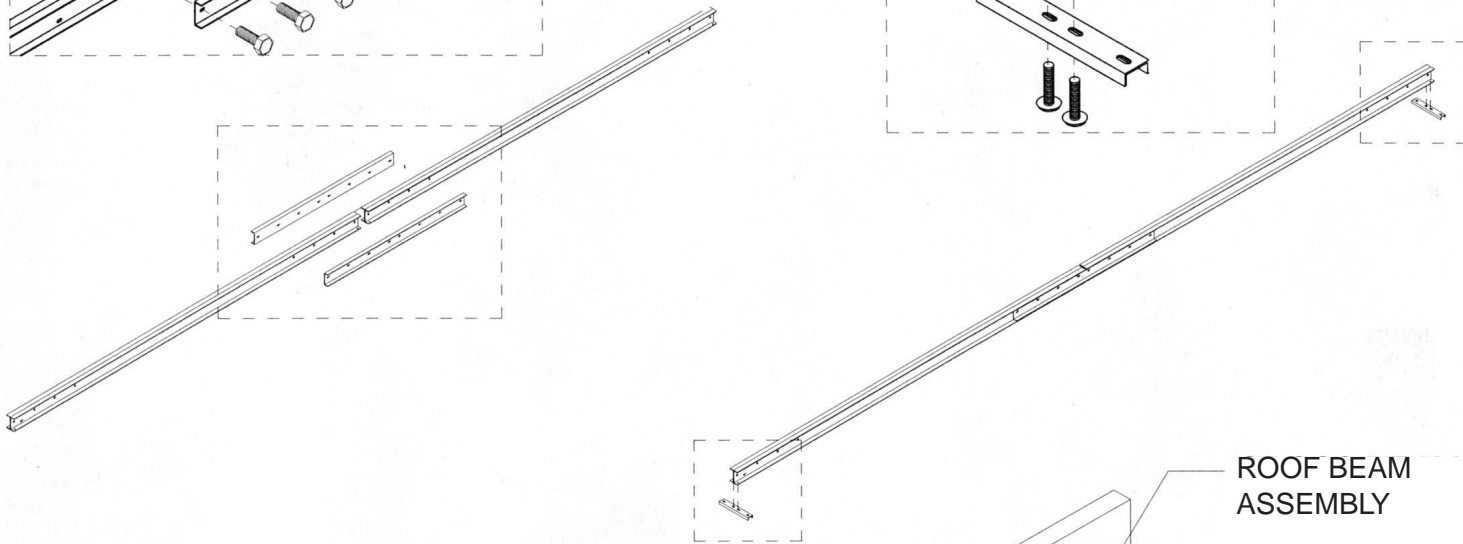
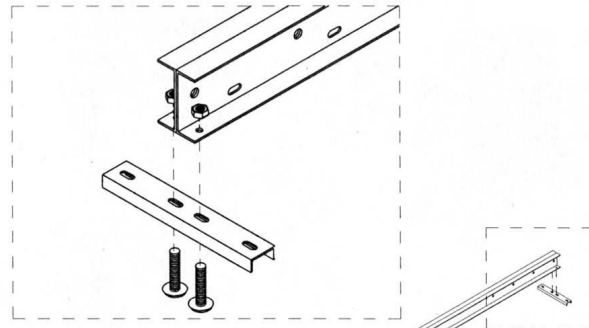
ROOF ASSEMBLY

-Rooms with a roof do not use top capping-

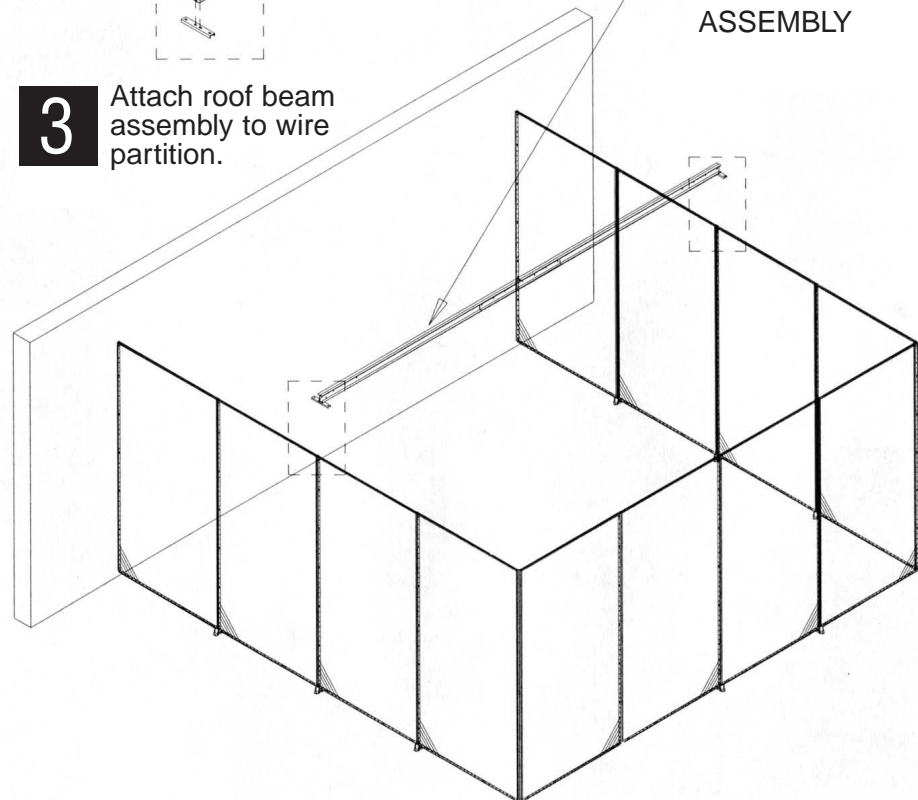
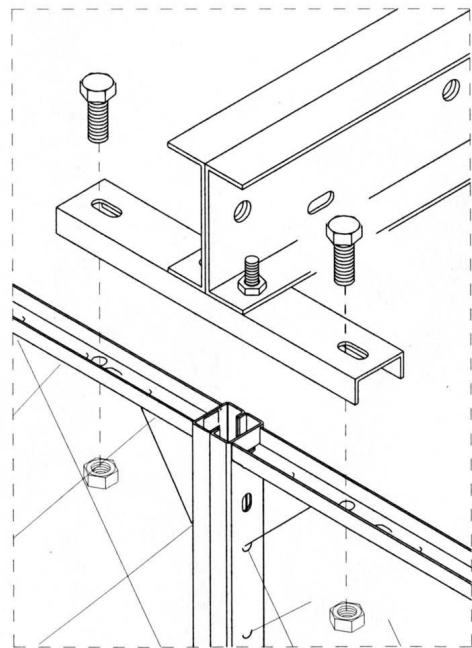
1 Assemble splicer to roof beams.



2 Attach beam support bracket to roof beam.



3 Attach roof beam assembly to wire partition.



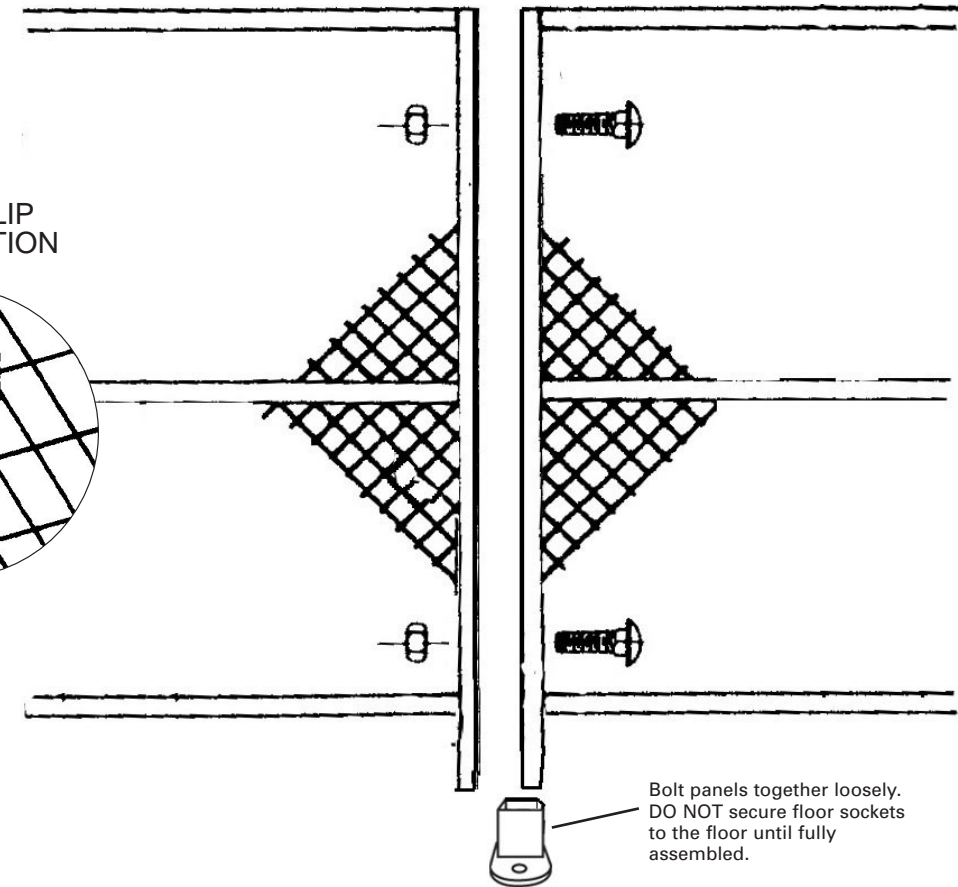
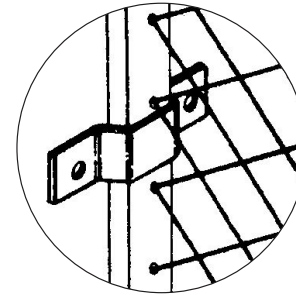
1-800-645-2986

WIRE MESH SECURITY PARTITION

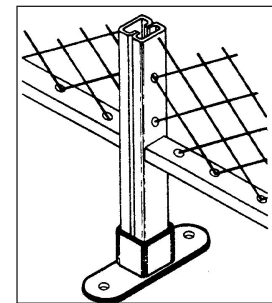
Assembly Instructions

PANEL ASSEMBLY

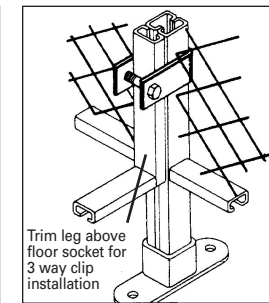
WALL CLIP INSTALLATION



Bolt panels together loosely. DO NOT secure floor sockets to the floor until fully assembled.

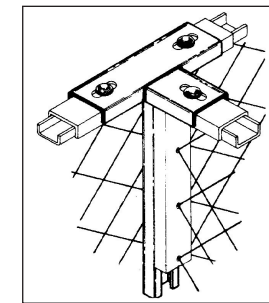


Floor Socket Installation

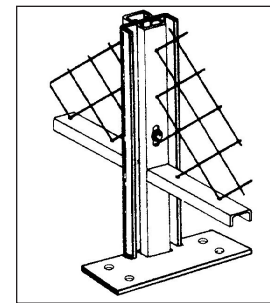


Trim leg above floor socket for 3 way clip installation

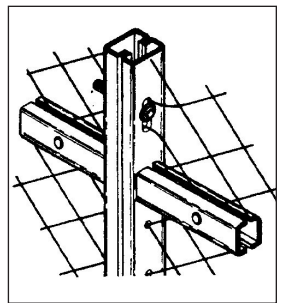
3-Way Clip Installation



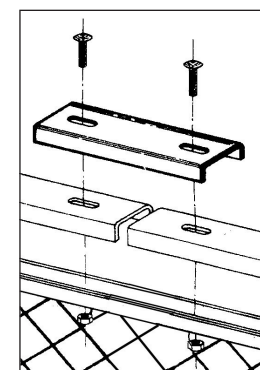
3-Way Splice Plate



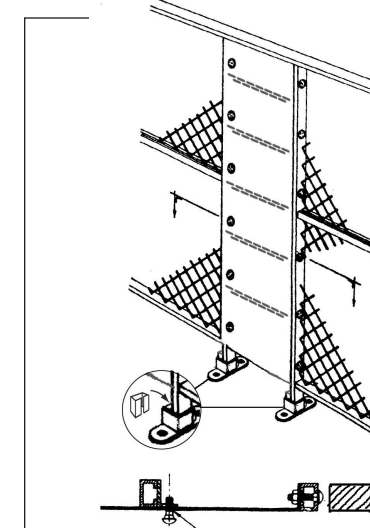
Channel Stiffener Installation



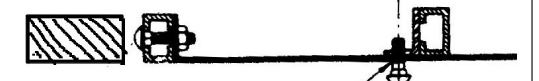
Panel to Panel Bolt Hole Alignment



TOP CAPPING CHANNEL



ADJUSTABLE FILL-A-GAP PANEL



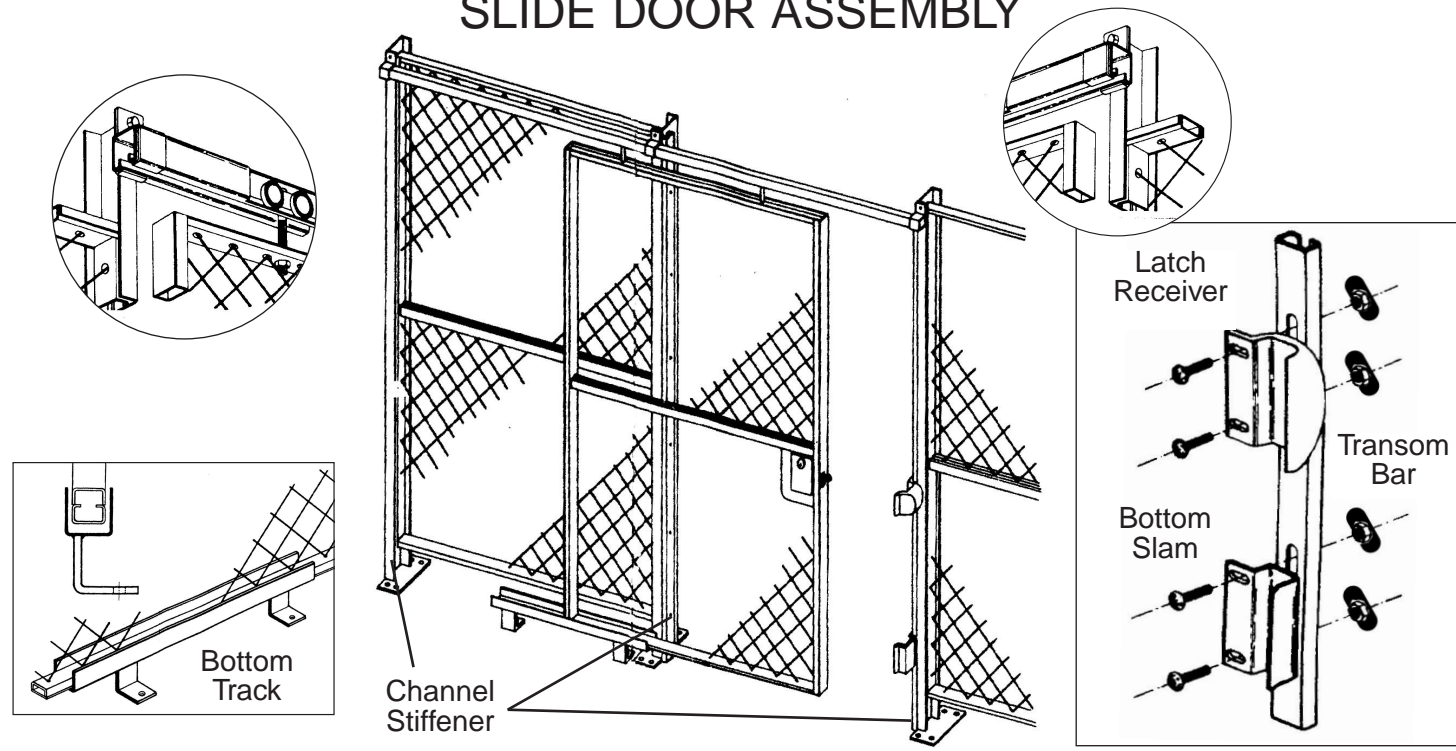
If predrilled holes do not line up, drill a 5/16" hole

1-800-645-2986

WIRE MESH SECURITY PARTITION

Assembly Instructions

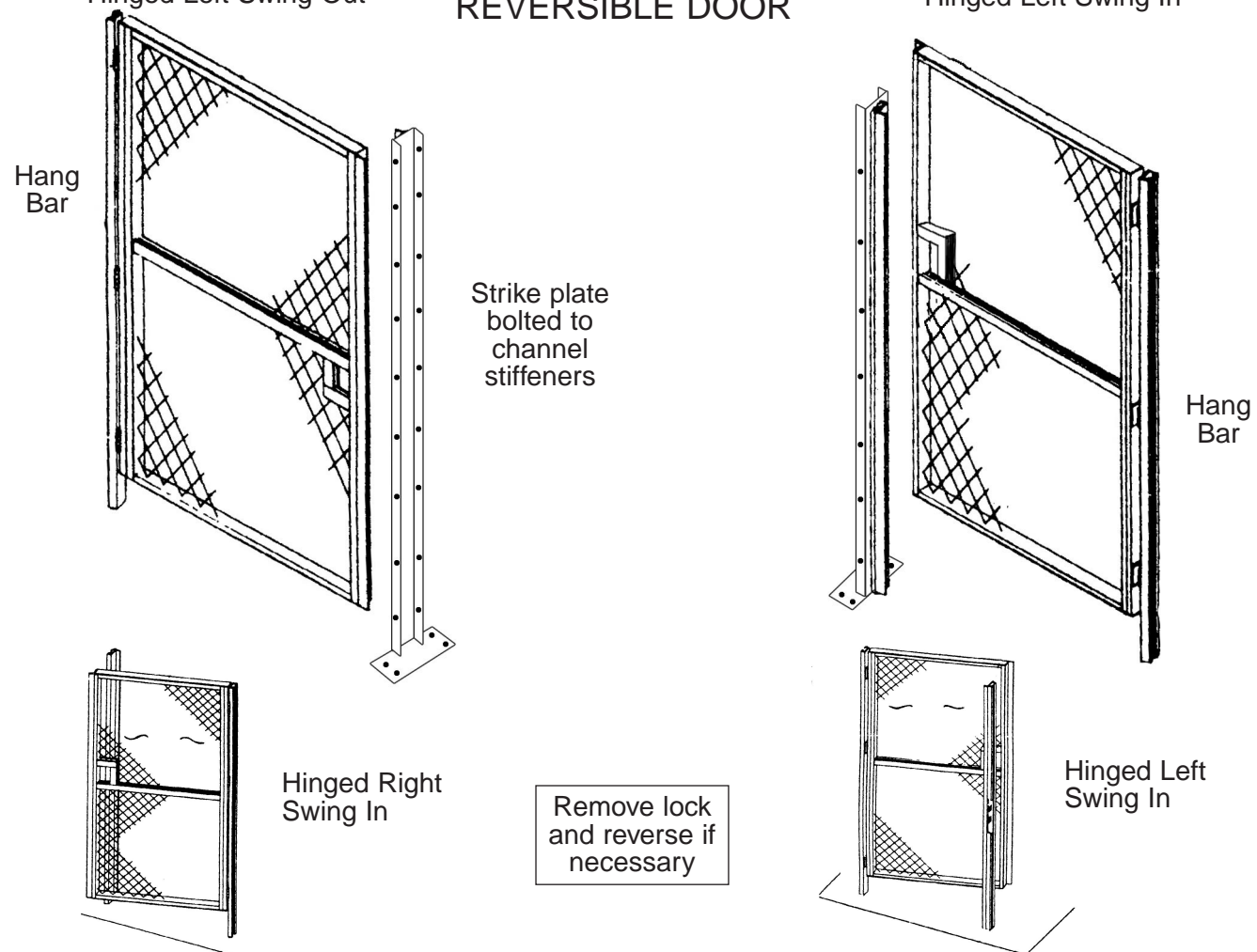
SLIDE DOOR ASSEMBLY



Hinged Left Swing Out

REVERSIBLE DOOR

Hinged Left Swing In



1-800-645-2986

WIRE MESH SECURITY PARTITION

Assembly Instructions

ROOF BEAM LAYOUT CHART

