


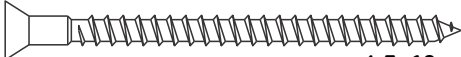




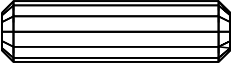

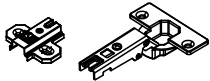

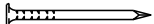



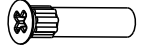



WOOD LOCKER, 2 - TIER

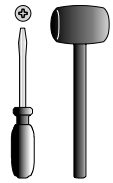
Maintenance Tips

*To clean remove or stains, use a piece of flannel dampened with a water and alcohol solution. Avoid direct sunlight.

HARDWARE LIST

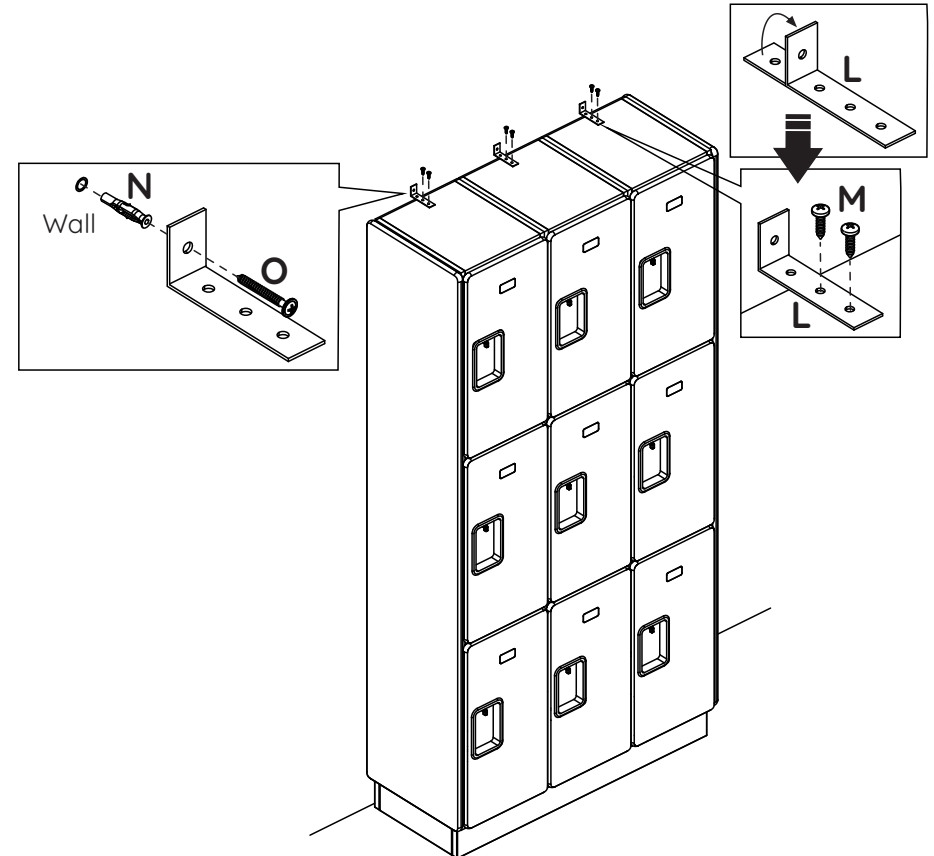
The hardware drawings are full-scale, so their dimensions are the same as the actual hardware.

ID	IMAGE REFERENCE	# OF PIECES
A	  4,5x60mm	16
B	  4,5 x 16mm	28
C	  Silicone stopper	06
D	  8x30mm	24
E	 	06
F	  11x12	40
G	 	04
H	 	03
K	 	02











Mounting cabinets to the wall





1. Make sure that the area where the cabinets and their bases will be installed is plumb and level.
2. Check the ventilation spacing between the back of the cabinets and ensure that the side panels have been properly installed. Align the cabinets to secure them to the wall. The side panels must fully touch the wall.
3. Fold the metal plate and install it on top of the cabinets as shown below.



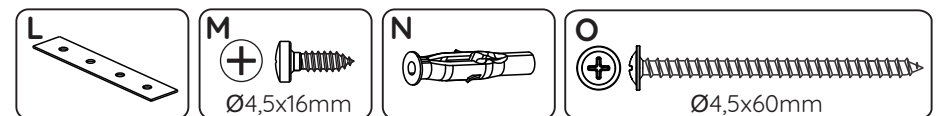
KIT TO AVOID TIPPING (Quantity per module)

L	 	01
M	  4,5 x 16mm	02
N	 	01
O	  4,5 x 60mm	01

NOTE: OPTIONAL BUILT-IN LOCKS AVAILABLE UPON REQUEST IN THE PURCHASE. SEE RELATED ITEMS BELOW.

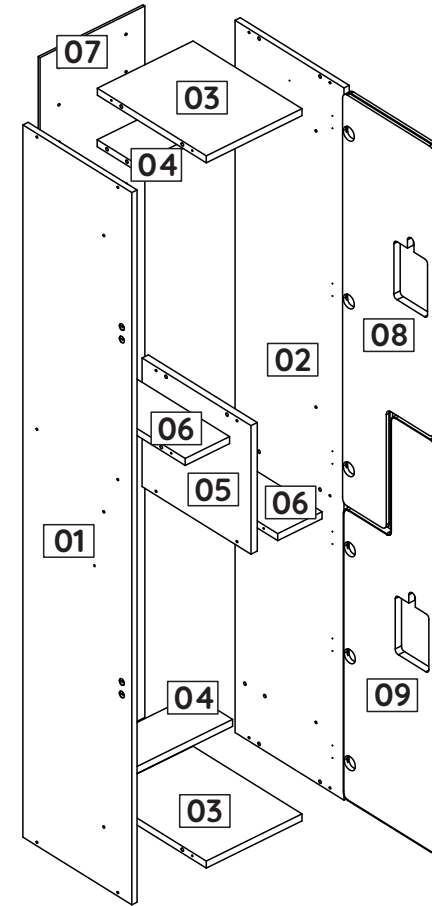
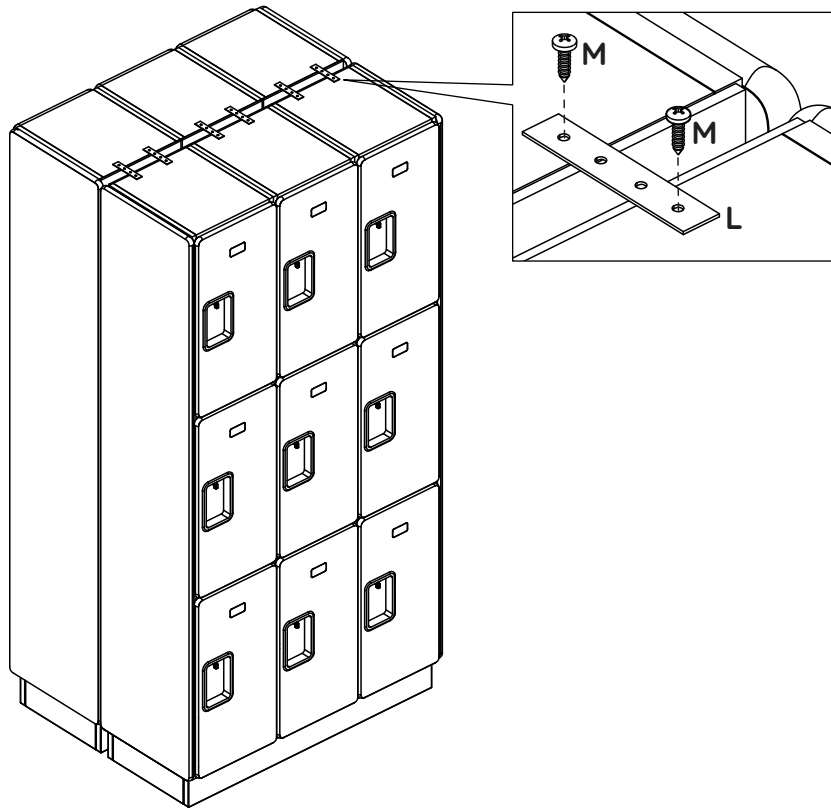
P	MODEL 01 - KIT BUILT-IN LOCKERS (Lift up hasp locker Kit)  	02
Q	MODEL 02 - KIT BUILT-IN LOCKERS (Electronic locker Kit)  	02

KIT TO AVOID TIPPING



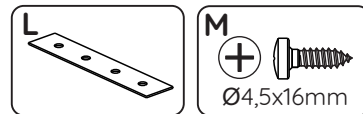
Back-to-back cabinet installation

1. Make sure that the area where the cabinets and their bases will be installed is plumb and level.
2. Check the ventilation spacing between the back of the cabinets, and ensure that the side panels have been properly installed. Align the cabinets to secure them back-to-back. The side panels must fully touch each other.
3. Install the metal plate on top of the cabinets as shown below.

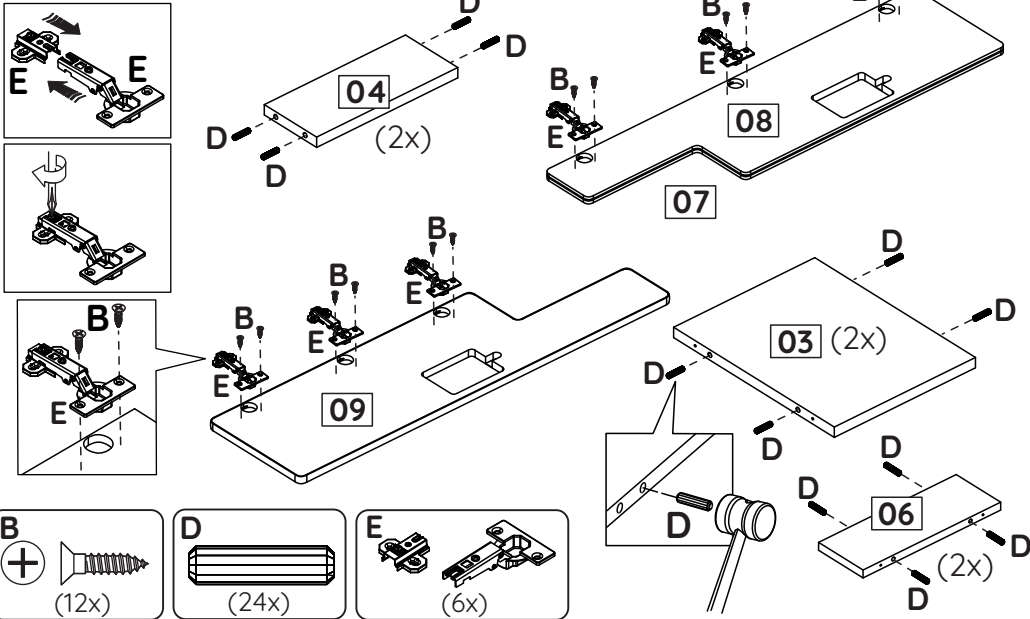


ID	Description	# Of Pieces	Dimension (mm)
01	Left side	01	1828x350x15
02	Right side	01	1828x350x15
03	Large shelf	02	274x350x18
04	Small shelf	02	274x127x18
05	Division	01	330x350x18
06	Division shelf	02	127x350x18
07	Back	01	1826x300x6
08	Upper door	01	1055x293x18
09	Lower door	01	1055x293x18

KIT TO AVOID TIPPING

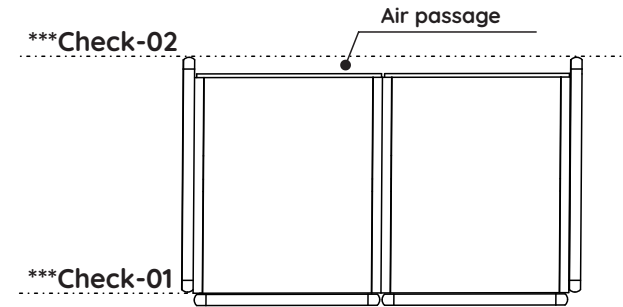


1 Step

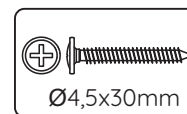
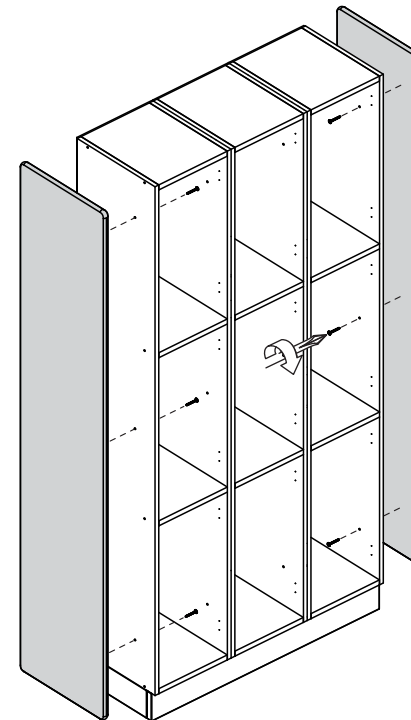
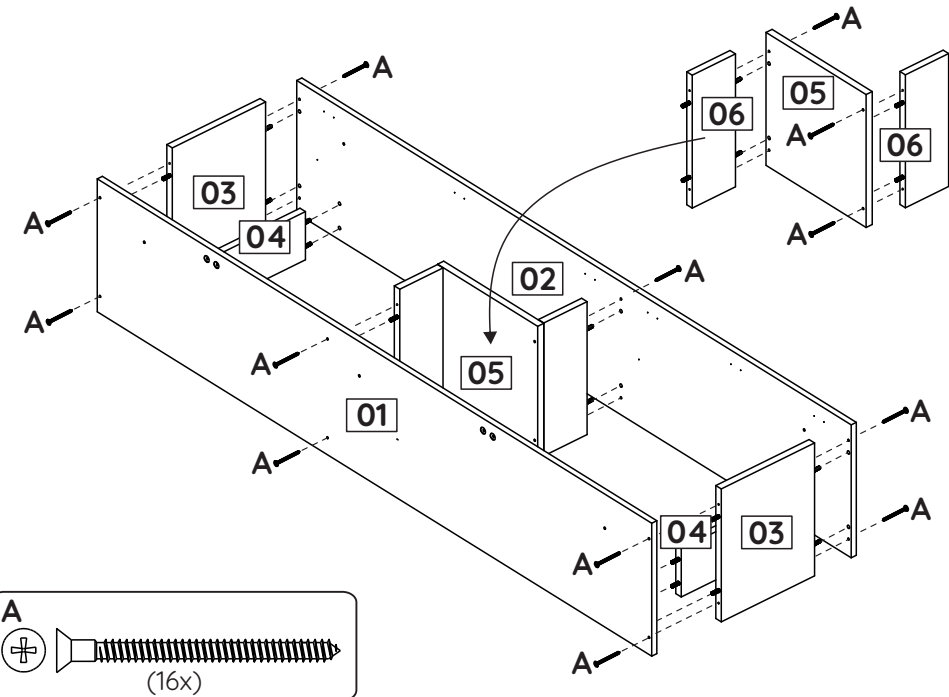


Side panel installation (add-on sold separately)

1. Make sure that the area where the cabinets and their bases will be installed is plumb and level.
2. Position the side panels so that they're aligned with the front of the cabinet body (not the door) *****Check-01*****. The spacing created between the end of the panel and the back of the cabinet is for ventilation *****Check-02*****.
3. After they are positioned, use the hardware that comes with the side panel, to join them through the existing holes inside the cabinet wall as shown below.



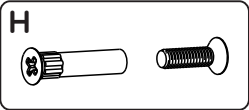
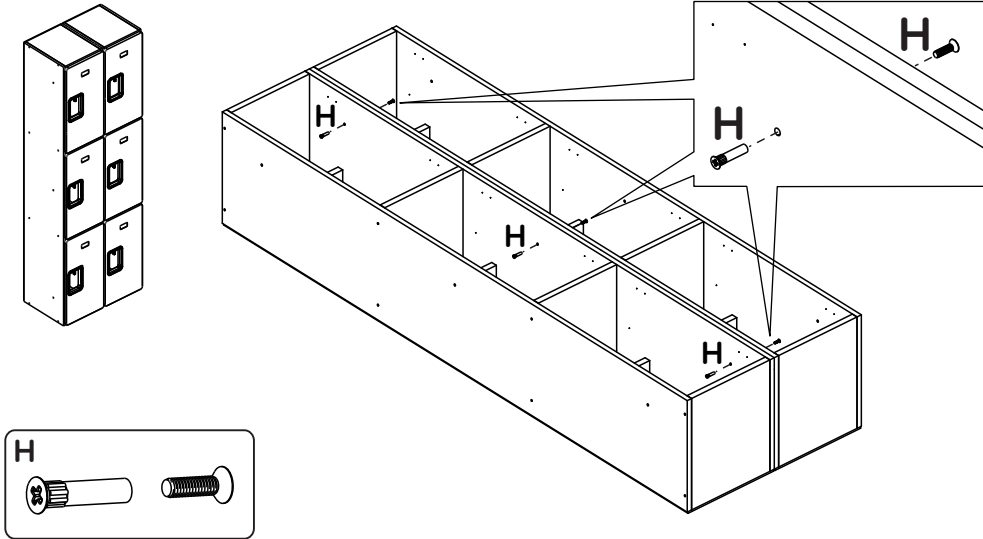
2 Step



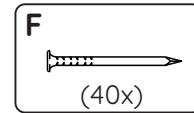
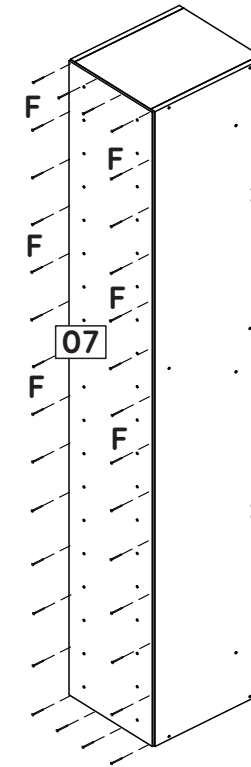
Corporate assembly

Join cabinets

1. Start by positioning the cabinets side by side, ensuring they are plumb and level.
2. After they are positioned, use hardware (H) to join them through the existing holes inside the cabinet wall, as shown below.



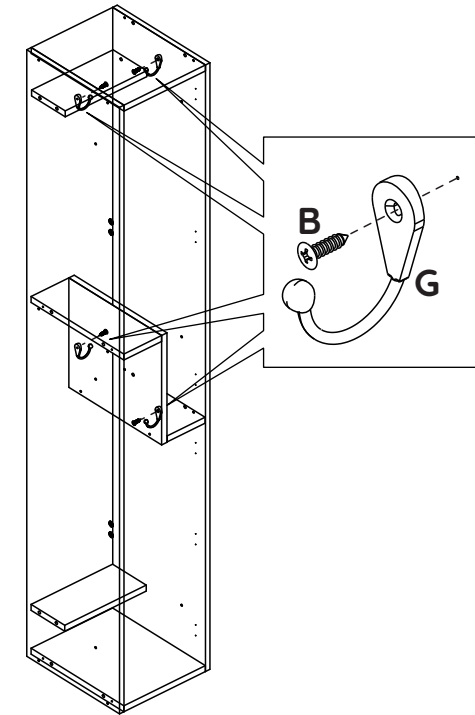
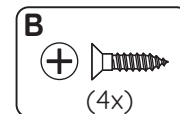
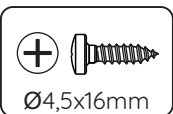
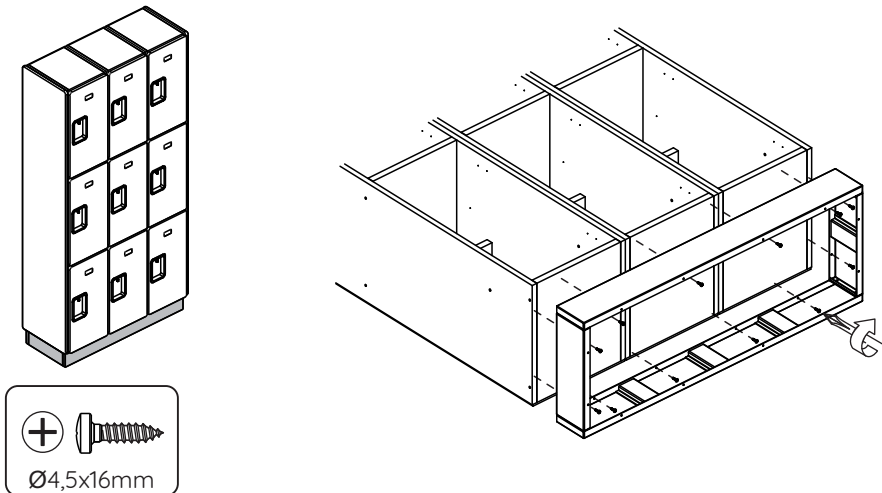
3 Step



4 Step

Metal base installation (add-on sold separately)

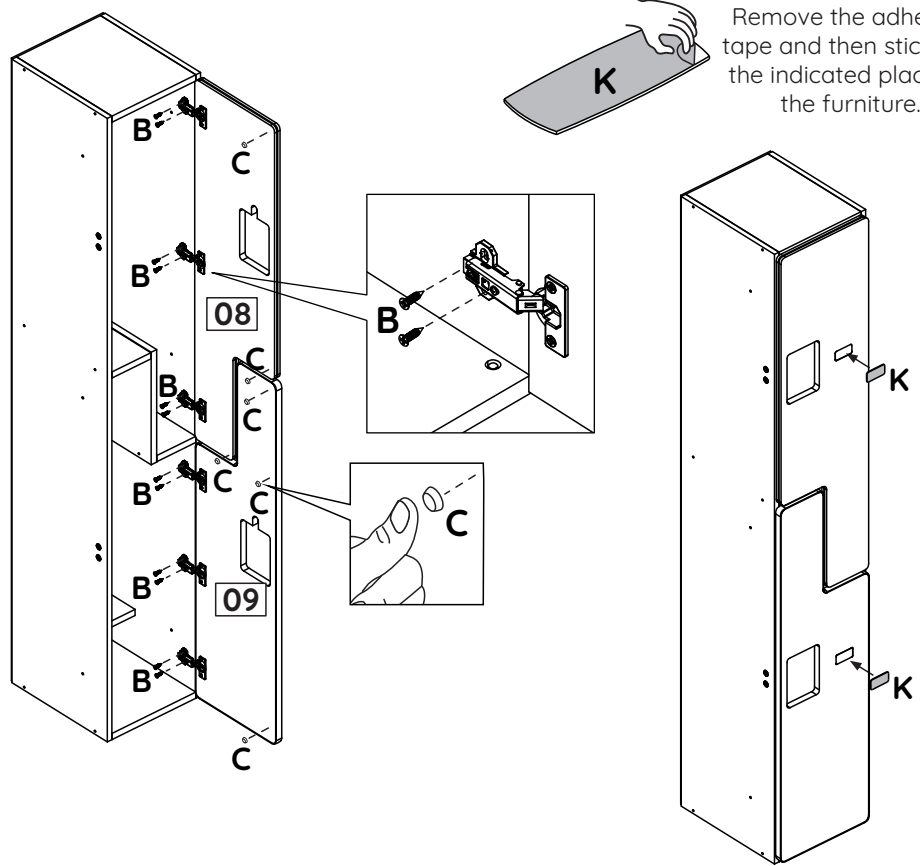
1. Make sure that area where the cabinets and their bases will be installed is plumb and level.
2. Position the metal base, aligning and centering it on the body of the previously joined cabinets.
3. After they are positioned, use the hardware that comes with the metal base component to join the parts on to the metal base to the cabinet base, as shown below.



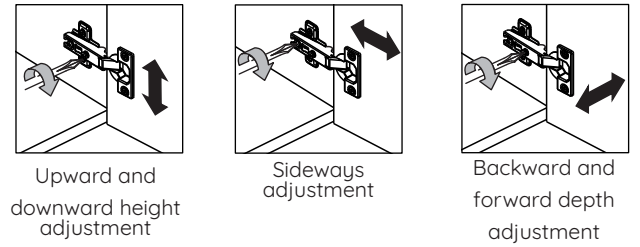
5 Step

Name plate

Remove the adhesive tape and then stick it in the indicated place on the furniture.



Three-dimensional door hinge adjustment: follow the instructions below.



Upward and downward height adjustment

Sideways adjustment

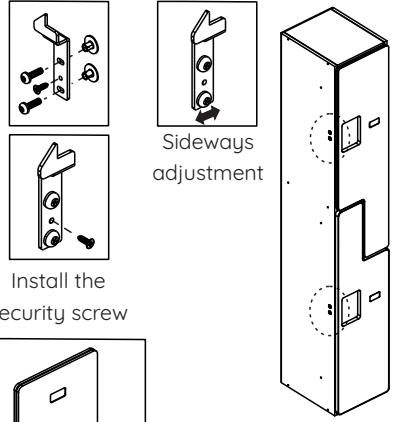
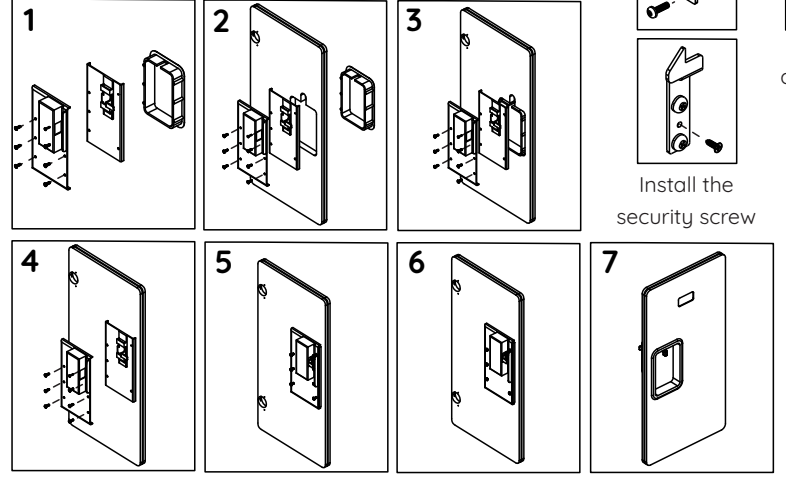
Backward and forward depth adjustment

- B** (12x)
- C** (6x)
- K** (2x)

6 Step

Fastening latch
Note: latch is part of the lock
Install the latch

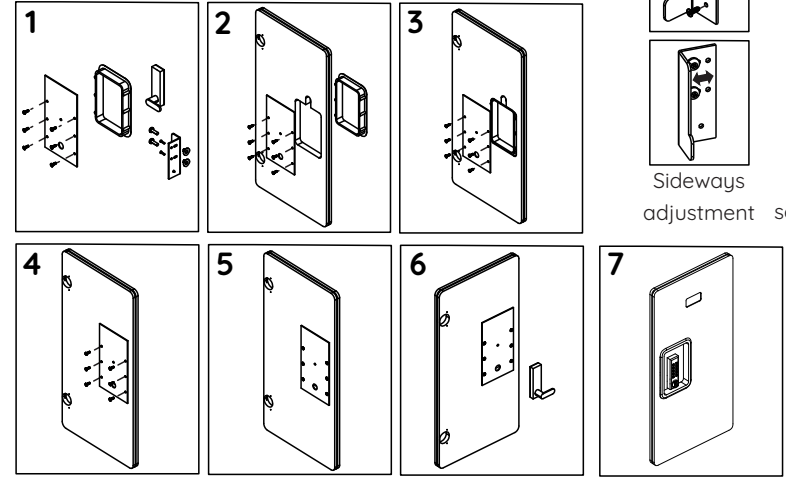
OPTIONAL BUILT-IN LOCKS
MODEL 01 - KIT BUILT-IN LOCKERS (Lift up hasp locker Kit)



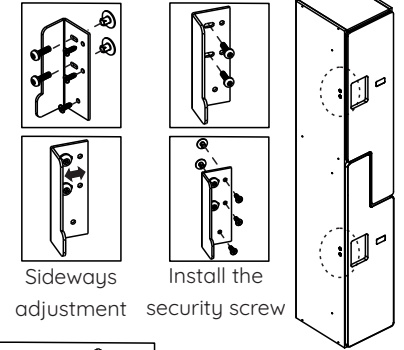
Install the security screw

Sideways adjustment

OPTIONAL BUILT-IN LOCKS
MODEL 02 - KIT BUILT-IN LOCKERS (Electronic locker Kit)



Fastening latch
Note: latch is part of the lock
Install the latch



Sideways adjustment

Install the security screw