


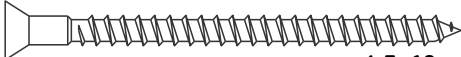




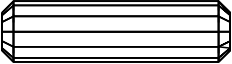

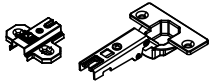

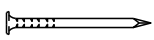



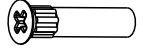



WOOD LOCKER, 1 - TIER

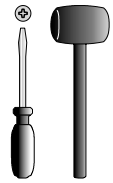
Maintenance Tips

*To clean remove or stains, use a piece of flannel dampened with a water and alcohol solution. Avoid direct sunlight.

HARDWARE LIST

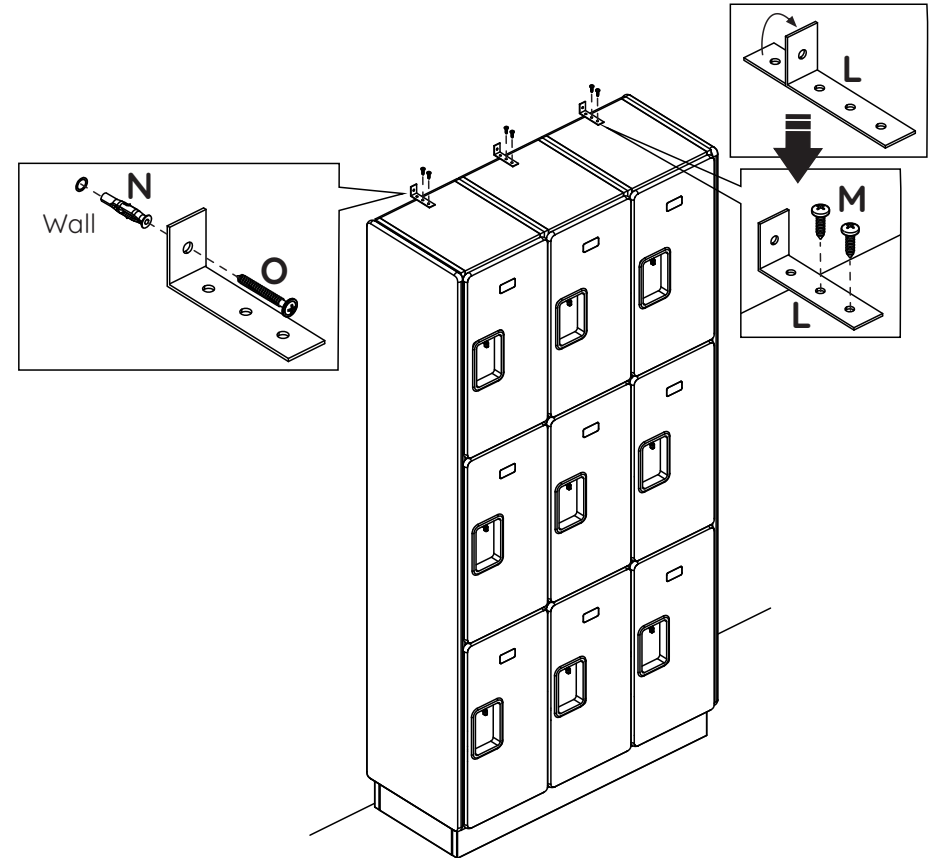
The hardware drawings are full-scale, so their dimensions are the same as the actual hardware.

ID	IMAGE REFERENCE	# OF PIECES
A	  4,5x60mm	16
B	  4,5 x 16mm	18
C	  Silicone stopper	04
D	  8x30mm	20
E	 	04
F	  11x12	40
G	 	02
H	 	03
K	 	01











Mounting cabinets to the wall





1. Make sure that the area where the cabinets and their bases will be installed is plumb and level.
2. Check the ventilation spacing between the back of the cabinets and ensure that the side panels have been properly installed. Align the cabinets to secure them to the wall. The side panels must fully touch the wall.
3. Fold the metal plate and install it on top of the cabinets as shown below.



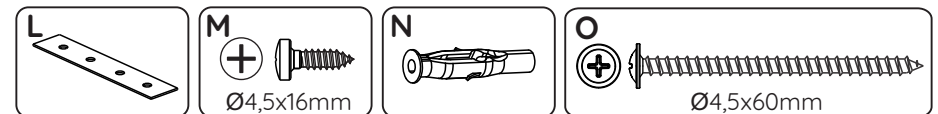
KIT TO AVOID TIPPING (Quantity per module)

L	 	01
M	  4,5 x 16mm	02
N	 	01
O	  4,5 x 60mm	01

NOTE: OPTIONAL BUILT-IN LOCKS AVAILABLE UPON REQUEST IN THE PURCHASE. SEE RELATED ITEMS BELOW.

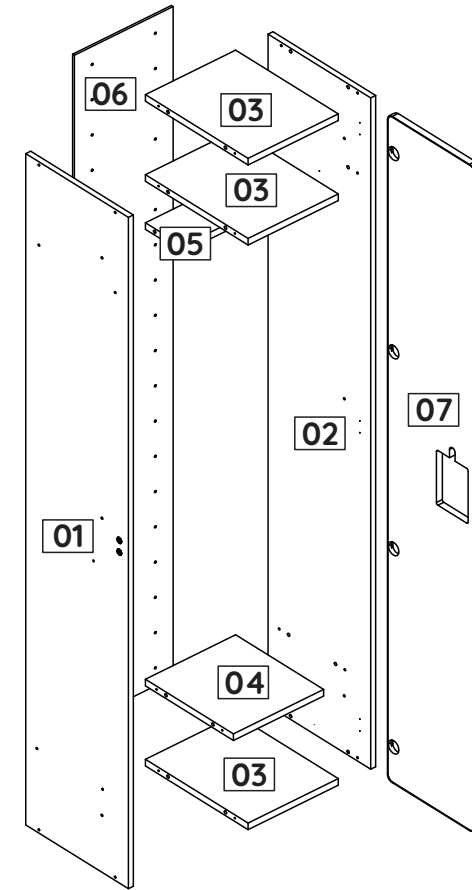
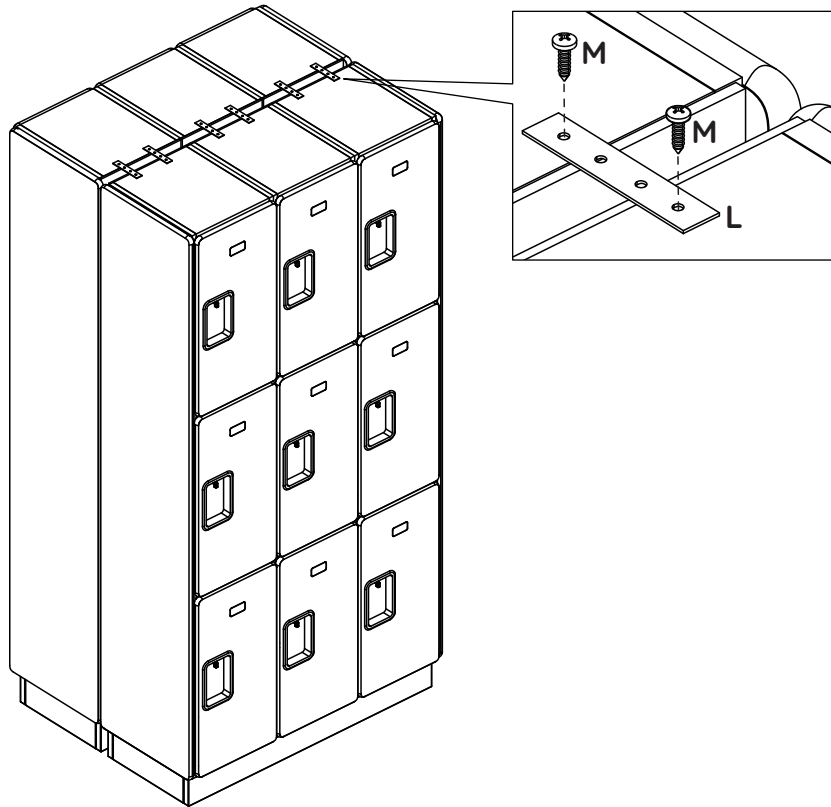
P	MODEL 01 - KIT BUILT-IN LOCKERS (Lift up hasp locker Kit)  	01
Q	MODEL 02 - KIT BUILT-IN LOCKERS (Electronic locker Kit)  	01

KIT TO AVOID TIPPING



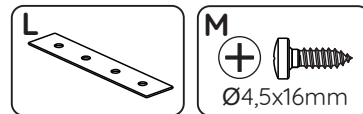
Back-to-back cabinet installation

1. Make sure that the area where the cabinets and their bases will be installed is plumb and level.
2. Check the ventilation spacing between the back of the cabinets and ensure that the side panels have been properly installed. Align the cabinets to secure them back-to-back. The side panels must fully touch each other.
3. Install the metal plates on top of the cabinets as shown below.

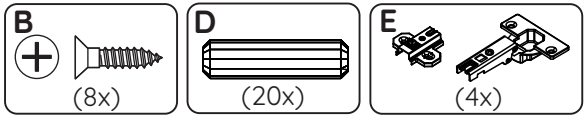
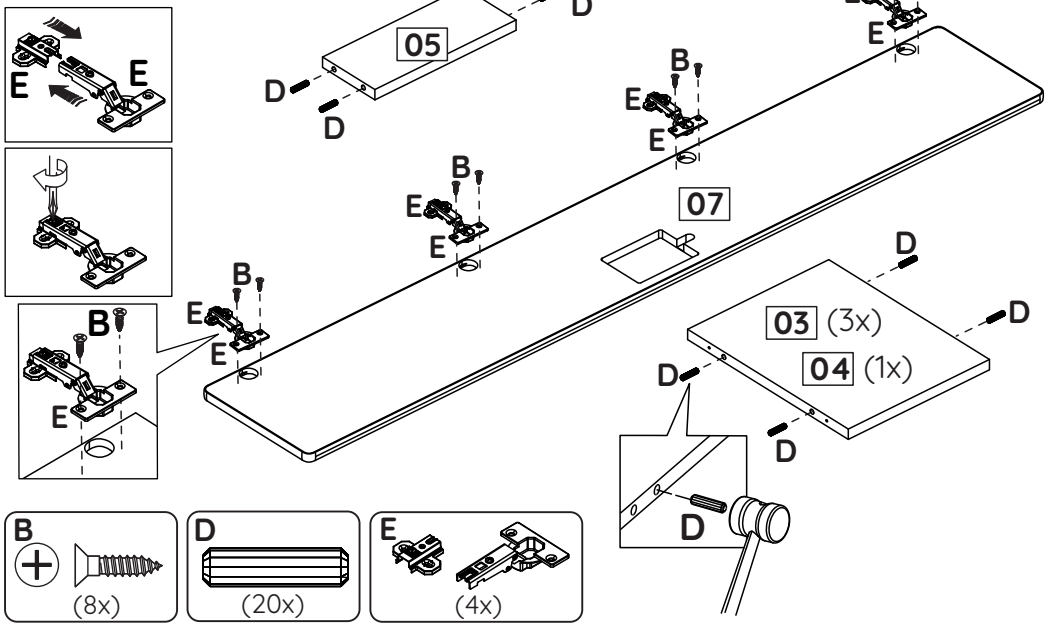


ID	Description	# Of Pieces	Dimension (mm)
01	Left side	01	1828x350x15
02	Right side	01	1828x350x15
03	Large shelf	03	274x350x18
04	Small shelf	01	274x300x18
05	Small shelf	01	274x127x18
06	Back	01	1826x300x6
07	Door	01	1810x293x18

KIT TO AVOID TIPPING

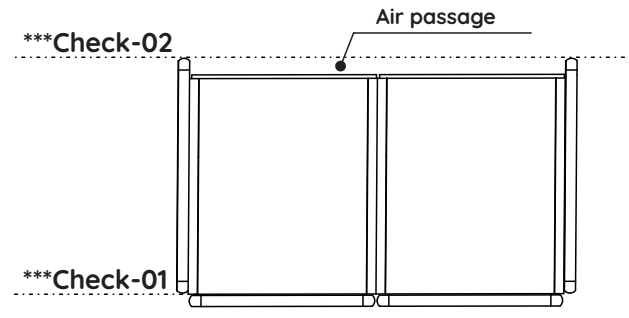


1 Step

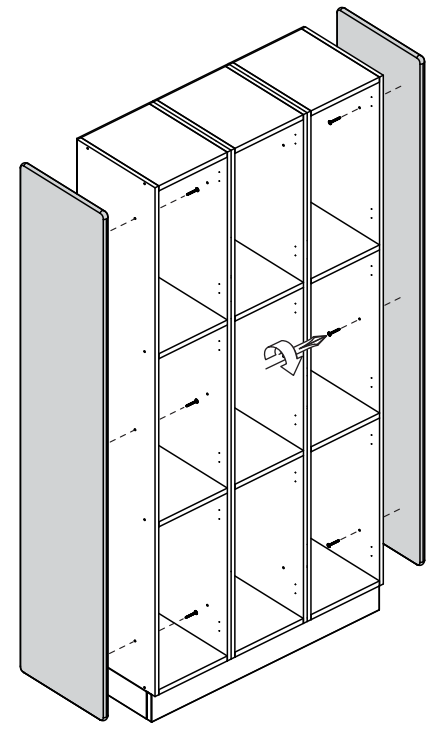
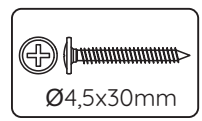
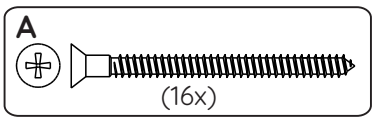
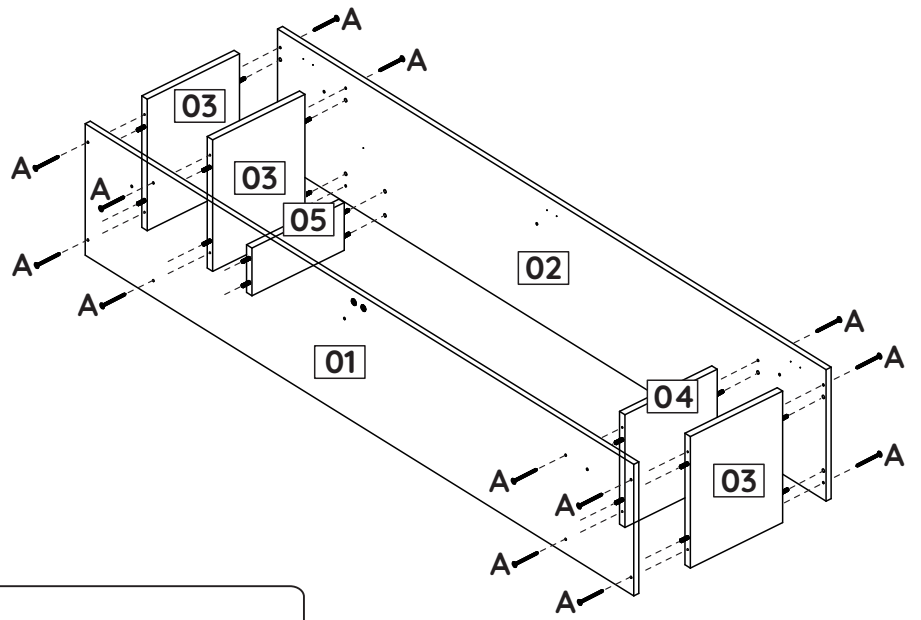


Side panel installation (add-on sold separately)

1. Make sure that the area where the cabinets and their bases will be installed is plumb and level.
2. Position the side panels so that they're aligned with the front of the cabinet body (not the door) *****Check-01*****. The spacing created between the end of the panel and the back of the cabinet is for ventilation *****Check-02*****.
3. After they are positioned, use the hardware that comes with the side panel to join them through the existing holes inside the cabinet wall as shown below.



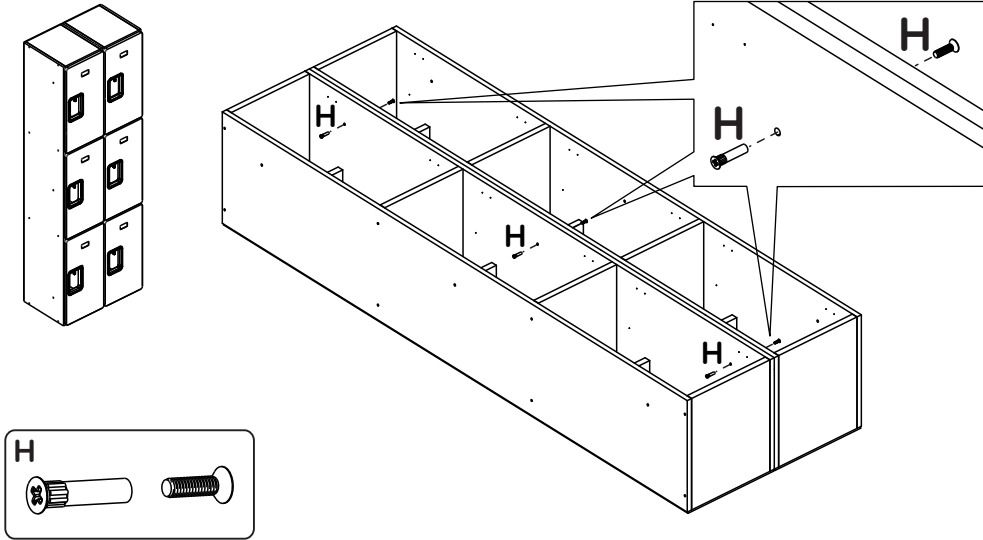
2 Step



Corporate assembly

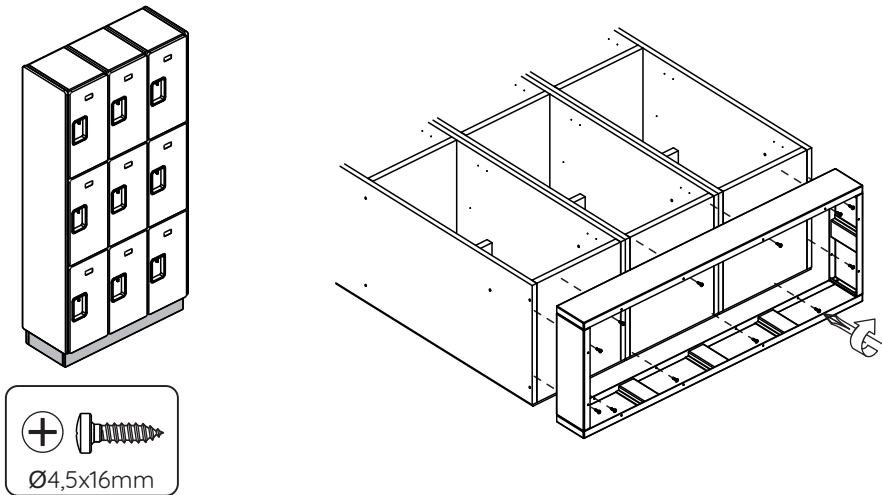
Join cabinets

1. Start by positioning the cabinets side by side, ensuring they are plumb and level.
2. After they are positioned, use hardware (H) to join them through the existing holes inside the cabinet wall, as shown below.

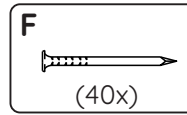
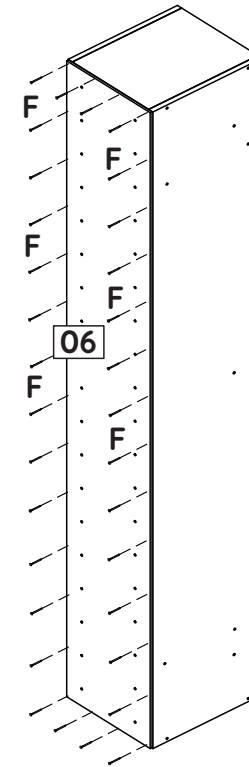


Metal base installation (add-on sold separately)

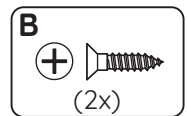
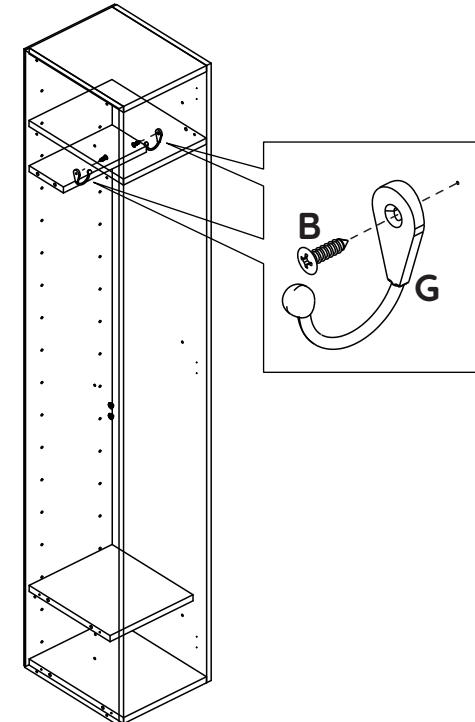
1. Make sure that area where the cabinets and their bases will be installed is plumb and level.
2. Position the metal base, aligning and centering it on the body of the previously joined cabinets.
3. After they are positioned, use the hardware that comes with the metal base component to join the parts on to the metal base to the cabinet base, as shown below.



3 Step



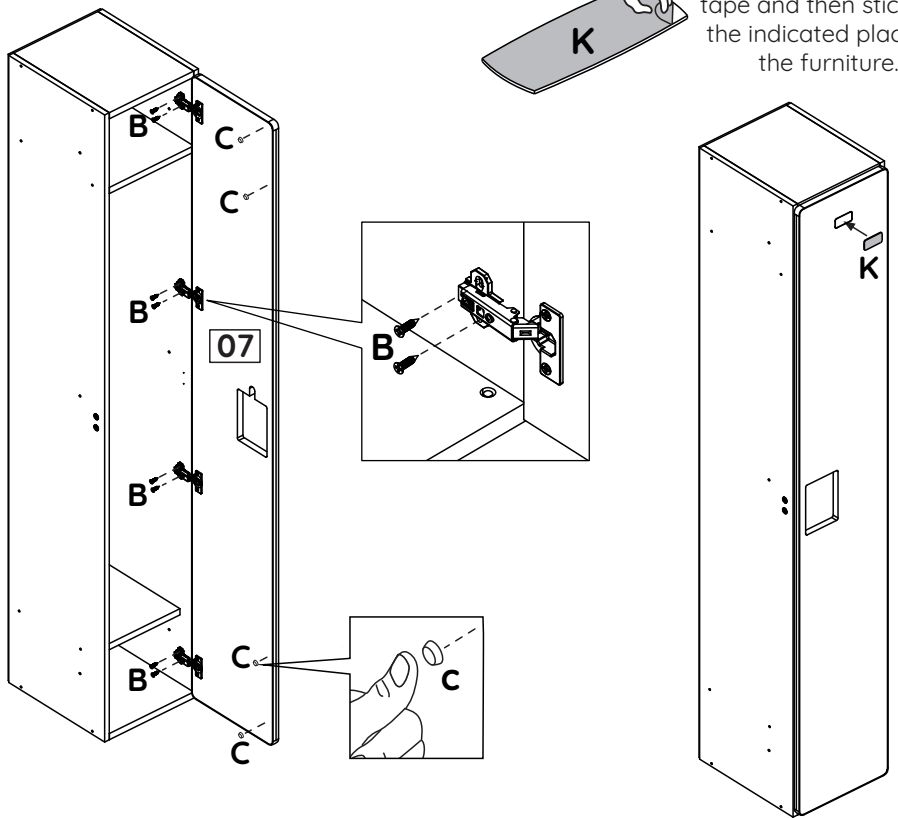
4 Step



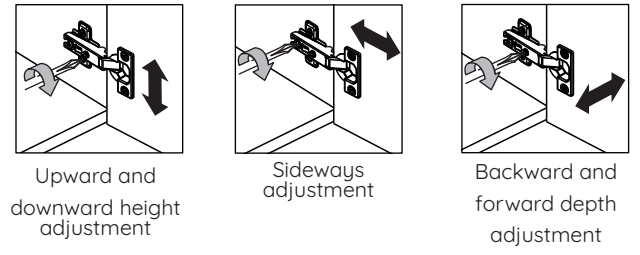
5 Step

Name plate

Remove the adhesive tape and then stick it in the indicated place on the furniture.



Three-dimensional door hinge adjustment: follow the instructions below.

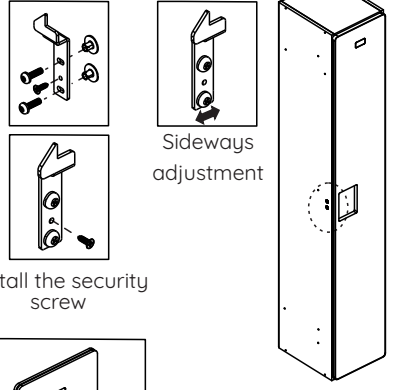
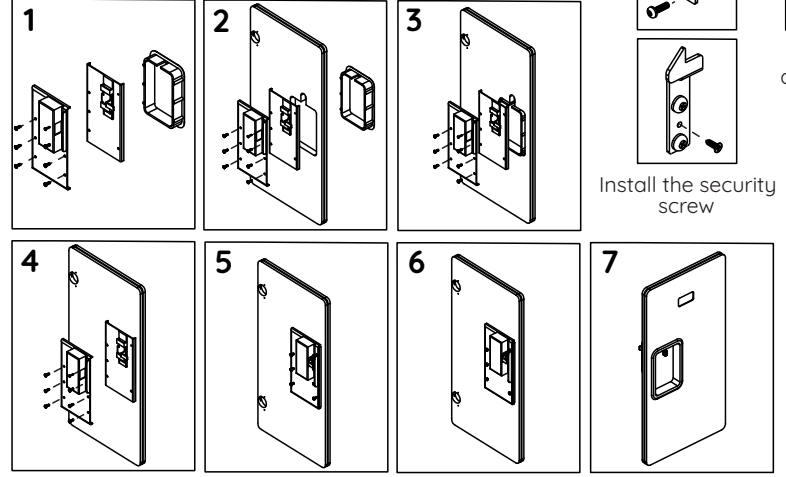


- B** (8x)
- C** (4x)
- K** (1x)

6 Step

Fastening latch
Note: latch is part of the lock
Install the latch

OPTIONAL BUILT-IN LOCKS
MODEL 01 - KIT BUILT-IN LOCKERS (Lift up hasp locker Kit)



Fastening latch
Note: latch is part of the lock
Install the latch

OPTIONAL BUILT-IN LOCKS
MODEL 02 - KIT BUILT-IN LOCKERS (Electronic locker Kit)

