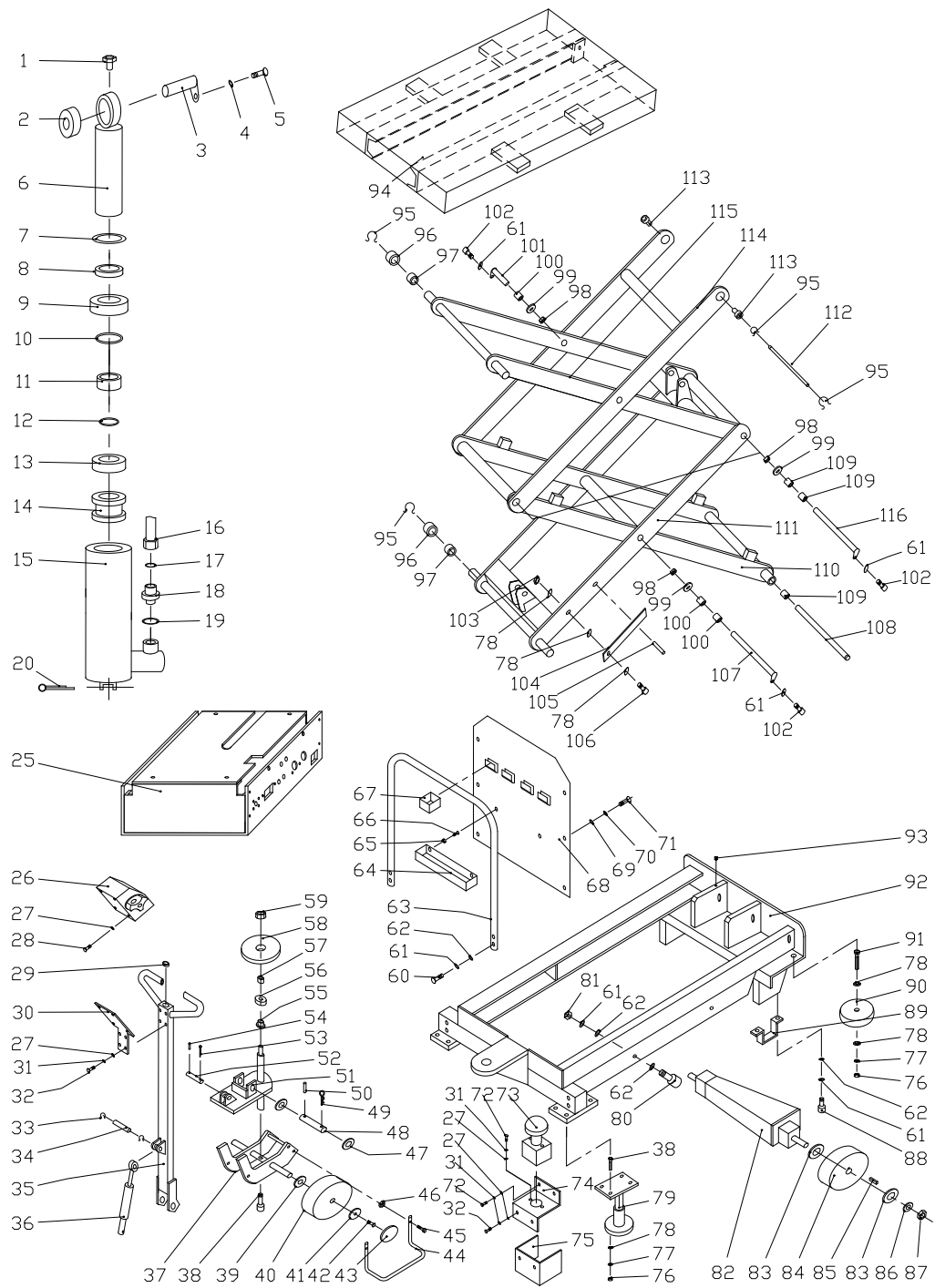
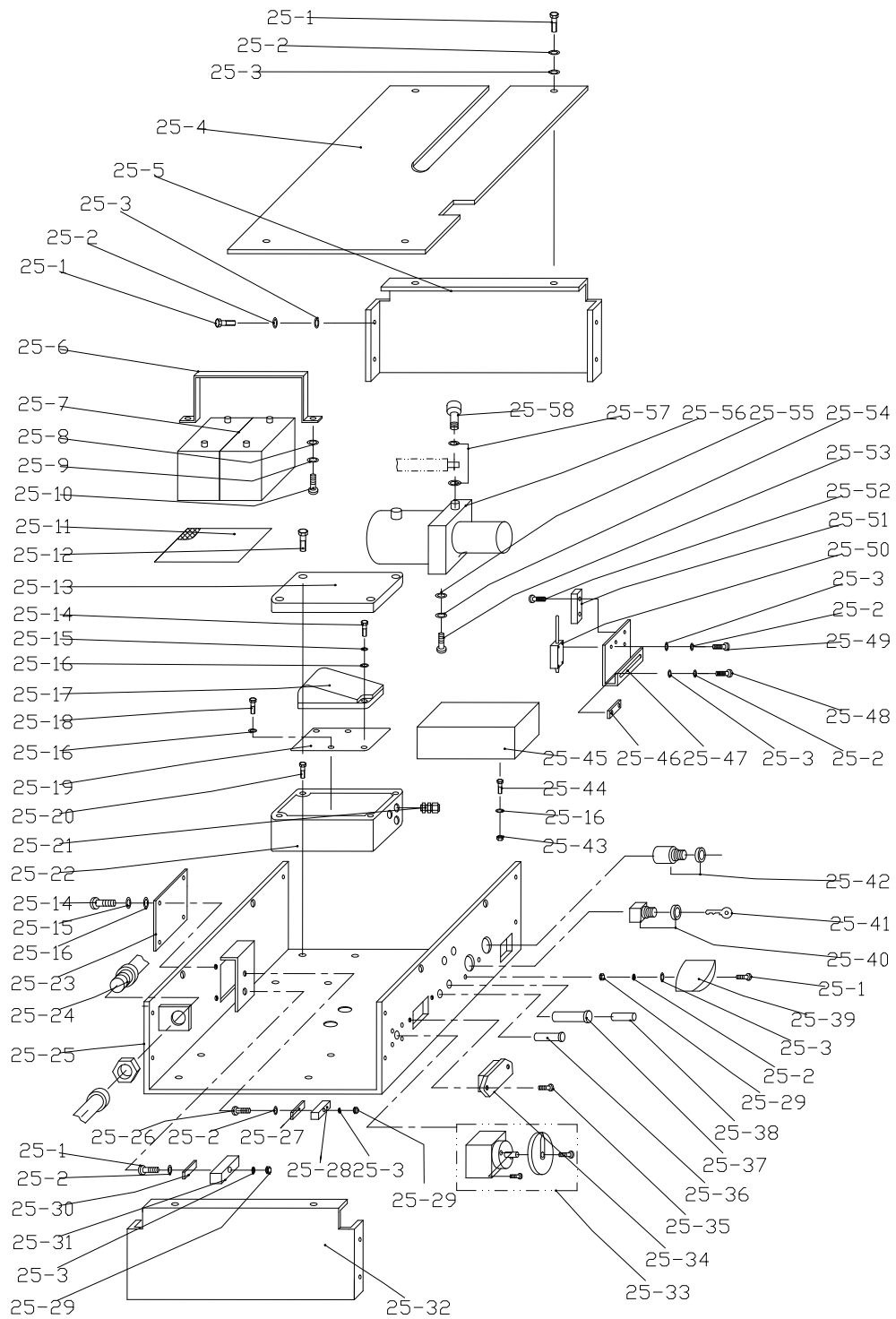


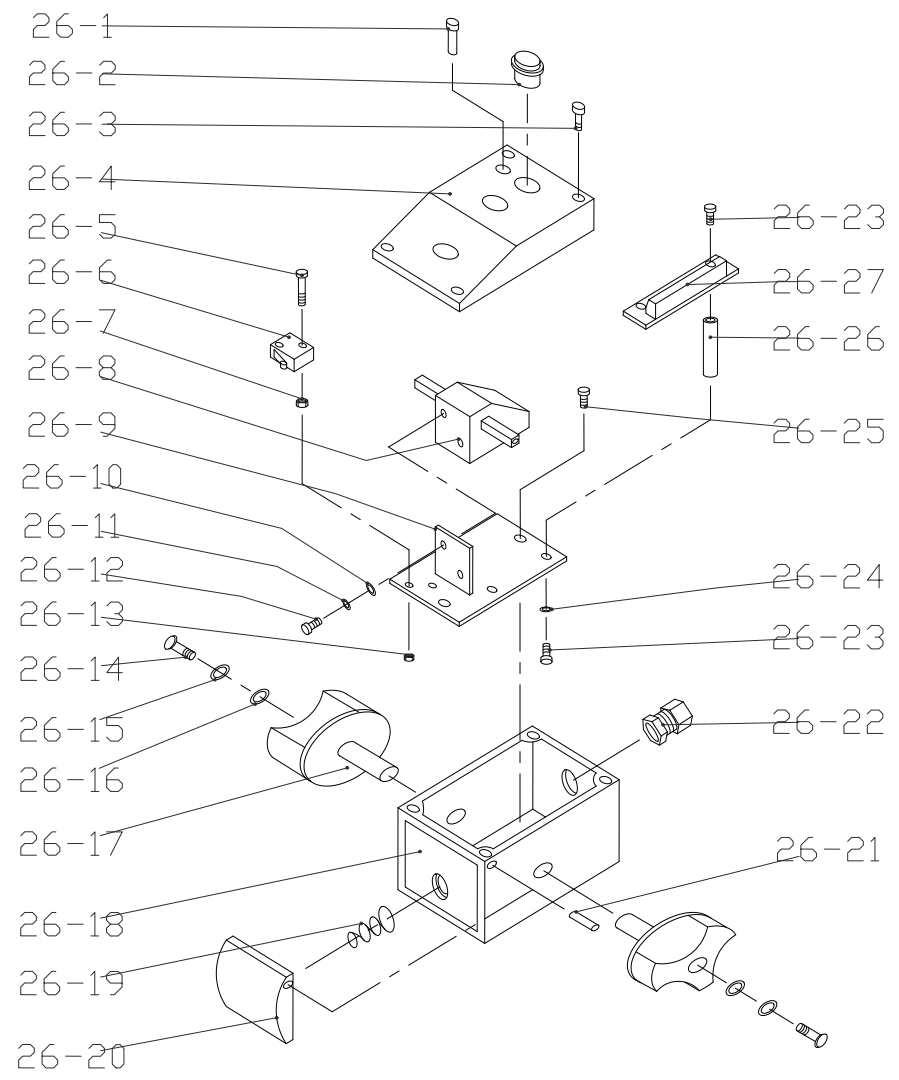
# ESM91D EXPLODED FIGURE



# HYDRAULIC POWER PACK (25) EXPLODED FIGURE



# CONTROL BOX (26) EXPLODED FIGURE



## ESM91D PARTS LIST

NO.	DESCRIPTION	QTY	PARTS No.#
1	Grease cup M6	1	GB1152-89
2	Bearing GE30ZS	1	GB9163-90
3	Pin	1	ESS80-06/00
4	Spring washer 8	1	GB/T93-1987
5	Bolt M8×16	1	GB/T70-1985
6	Piston rod	1	ESS80D-01/03-00
7	Retaining ring Φ65	1	GB894.1-86
8	Seal cover Φ40×Φ48×6.5	1	DH40
9	Cylinder cover	1	ESS80D-01/04
10	Snap ring Φ70	1	GB895.1-86
11	Guide ring	1	
12	Snap ring Φ40	1	GB895.1-86
13	Seal ring Φ70×Φ50×22.4	1	JG-35 070-050
14	Piston	1	ESS80D-01/02
15	Cylinder	1	ESS80D-01/01-00
16	High pressure hose	1	ESS80-02
17	O-ring Φ9.5×1.8	1	GB3452.1-92
18	Throttleer	1	43755
19	Seal ring 16	1	JB982-77
20	Split pin 5×35	1	GB91-86
25	Hydraulic power pack	1	ESS80D-07/00
25-1	Bolt M5×14	15	GB/T818-1985
25-2	Spring washer 5	20	GB/T93-1987
25-3	Washer 5	20	GB/T848-1985
25-4	Top Cover plate	1	ESS50-02/04-00
25-5	Endplate "I"	1	ESS50-02/03
25-6	Battery Securing Tag	1	ESS50-02/02-00
25-7	Battery	2	6-QW-54HD
25-8	Washer 8	4	GB/T95-1985
25-9	Spring washer 8	4	GB/T93-1987
25-10	Bolt M8×16	4	GB/T2672-1986
25-11	Insulated pad	1	
25-12	Bolt	4	
25-13	Cover	1	

25-14	Bolt M4×16	2	GB/T818-1985
25-15	Spring washer 4	10	GB/T93-1987
25-16	Washer 4	16	GB/T848-1985
25-17	Controller	1	1228-2901
25-18	Bolt M4×8	2	GB/T6560-1986
25-19	Motherboard	1	ESS50-02/05-01
25-20	Bolt M4×10	12	GB/T818-1985
25-21	Plastic joint	3	PG13.5
25-22	Box	1	
25-23	Fuse Box Covering plate	1	ES30DB-02/02
25-24	Control cable	1	ESS50-23/00
25-25	Lower Tray	1	ESS50-02/01-00
25-26	Bolt M5×16	1	GB/T818-1985
25-27	Fuse (4A)	1	
25-28	Fuse bracket (4A)	1	
25-29	Nut M5	4	GB/T6170-1986
25-30	Fuse (100A)	1	
25-31	Fuse bracket (100A)	1	ES50D-07/07-00
25-32	Endplate “ II ”	1	ESS50-02/06
25-33	Switch	1	GB10408-63A
25-34	Battery indicator	1	
25-35	Bolt M3×10	2	GB/T818-1985
25-36	Pilot lamp	1	
25-37	Fuse bracket (2A)	1	
25-38	Fuse (2A)	1	
25-39	Protective Shroud	1	ES30DB-20
25-40	Lock Out Switch	1	E2K2I1A.V
25-41	Key	1	
25-42	Buzzer	1	
25-43	Nut M4	4	GB/T923-1988
25-44	Bolt M4×10	4	GB/T5780-1986
25-45	Charger	1	
25-46	Fixing Plate	1	ES30DB-02/06
25-47	Bracket for limit switch	1	ES30DB-02/03-00
25-48	Bolt M5×16	2	GB/T70-1985

25-49	Bolt M5×10	2	GB/T5780-1986
25-50	Scissor Travel Limit Switch	1	TZ8167
25-51	Connector block	1	TB-1512L
25-52	Bolt M3×8	2	GB/T818-1985
25-53	Bolt M10×20	2	GB/T2672-1986
25-54	Spring washer 10	2	GB/T93-1987
25-55	Washer 10	2	GB/T95-1985
25-56	Hydraulic Power Pack	1	
25-57	Seal ring 14	2	JB982-77
25-58	Joint	1	ES50D-00/04
26	Control box	1	ESS50-17/00
26-1	Pilot lamp	1	
26-2	Button	3	
26-3	Bolt ST4.8×16	4	GB/T845-1985
26-4	Cover	1	ESS50-17/08
26-5	Bolt M3×20	2	GB/T818-1985
26-6	Switch	1	KW08-OZ
26-7	Nut M4	2	GB/T6170-1986
26-8	Accelerator	1	ET-126
26-9	Motherboard	1	ESS50-17/02-00
26-10	Washer 5	2	GB/T95-1985
26-11	Spring washer 5	2	GB/T93-1987
26-12	Bolt M5×6	2	GB/T818-1985
26-13	Nut M3	2	GB/T6170-1986
26-14	Bolt M3×30	2	GB/T818-1985
26-15	Spring washer 3	2	GB/T93-1987
26-16	Washer 3	2	GB/T848-1985
26-17	Handwheel	2	ESS50-17/03
26-18	Box	1	ESS50-17/01
26-19	Spring	1	ESS50-17/04
26-20	Cover board	1	ESS50-17/05
26-21	Spring pin 3×22	2	GB/T879-1986
26-22	Plastic joint	1	PG16
26-23	Bolt M4×8	4	GB/T818-1985
26-24	Spring washer 4	2	GB/T93-1987

26-25	Bolt ST4.8×9.5	2	GB/T845-1985
26-26	Pillar	2	ESS50-17/07
26-27	Connector block	1	ESS50-17/06-00
27	Washer 5	14	GB/T95-1985
28	Bolt ST4.8×16	4	GB/T845-1985
29	Rubber bush	1	
30	Motherboard	1	ESS50-18
31	Spring washer 5	10	GB/T93-1987
32	Bolt M5×10	6	GB/T818-1985
33	Retaining ring Φ10	2	GB894.1-86
34	Pin	1	EZ1000-06
35	Handle	1	ESS50-19/01-00
36	Air spring	1	EZ1000-04/00
37	Support saddle	1	ESS50-19/03-00
38	Bolt M10×40	9	GB/T70-1985
39	Nylon washer	2	EZ1000-20
40	Wheel	2	EZ1000-13
41	Washer	2	EZ1000-21
42	Bolt M8×16	2	GB/T819-1985
43	Cover	2	EZ1000
44	Guardrail	2	EZ1000-02/01
45	Bolt M6×25	4	GB/T5780-1986
46	Locknut M6	4	GB/T889-1986
47	Washer 18	2	GB/T95-1985
48	Pin	1	EZ1000-17
49	Split pin	1	EZ1000-22
50	Spring pin 4×28	1	GB/T879-1986
51	Foundation bed	1	EZ1000-02/03-00
52	Pin	1	EZ1000-18
53	Split pin	1	EZ1000-19
54	Spring pin 3×25	1	GB/T879-1986
55	Nylon bushing	1	EZ1000-02/05
56	Bearing	1	GB/T301-1995
57	Bushing Φ20×Φ23×10	1	SF-40 2010
58	Washer	1	EZ1000-02/04

59	Nut M16	1	GB/T923-1988
60	Bolt M8×35	4	GB/T5781-86
61	Spring washer 8	18	GB/T93-1987
62	Washer 8	14	GB/T95-1985
63	Guardrail	1	ESS50-20/01
64	Box	1	ESS50-20/03-00
65	Nut M4	2	GB/T923-1988
66	Bolt M4×8	2	GB/T818-1985
67	Plastic box	4	
68	Protect casing	1	ESS50-20/02
69	Washer 6	6	GB/T96-1985
70	Spring washer 6	6	GB/T93-1987
71	Bolt M6×10	6	GB/T818-1985
72	Bolt M5×14	4	GB/T818-1985
73	Switch	1	ED125
74	Board	1	ESS50-28
75	Cover board	1	ESS50-29
76	Nut M10	10	GB/T6170-1986
77	Spring washer 10	10	GB/T93-1987
78	Washer 10	18	GB/T95-1985
79	Brake	1	FR01
80	Bolt M8×25	4	GB/T70-1985
81	Nut M8	4	GB/T6170-1986
82	Drive unit	1	
83	Washer	4	ESS50-22
84	Wheel	2	ESS50-15/00
85	Key	2	ESS50-14
86	Washer 14	2	GB/T95-1985
87	Locknut M14	2	GB/T889-1986
88	Bolt M8×20	4	GB/T70-1985
89	Securing tag	2	ESS50-16
90	Wheel	2	
91	Bolt M10×65	2	GB/T5782-1986
92	Chassis	1	ESS50-01/00
93	Screw M6x8	2	GB/T78-1985



94	Table	1	ESS50-06/00
95	Retaining ring $\Phi 20$	4	GB894.1-86
96	Roller	4	ESS50-07
97	Bushing $\Phi 20 \times \Phi 23 \times 20$	4	SF-10 2020
98	Locknut M20	5	GB/T889-1986
99	Washer	5	ES30T-20
100	Bushing	4	CL1000-00/11
101	Pin	2	ESS80D-06/00
102	Bolt M8 $\times$ 16	5	GB/T70-1985
103	Locknut M10	2	GB/T889-1986
104	Prop	2	ESS50-12
105	Spring pin 8 $\times$ 30	2	GB/T879-1986
106	Bolt M10 $\times$ 45	2	GB/T5782-1986
107	Pin	1	ESS80-07/00
108	Pin	1	ESS50-13
109	Bushing	6	CPT500J-06/02
110	Internal scissors for chassis	1	ESS80D-03/00
111	External scissors for chassis	1	ESS80D-02/00
112	Pin	1	ESS50-08
113	Bushing $\Phi 20 \times \Phi 23 \times 16.5$	2	SF-10F 20165
114	External scissors for table	1	ESS80D-04/00
115	Internal scissors for table	1	ESS80D-05/00
116	Pin	2	ESS50-11/00