



Assembly Instructions

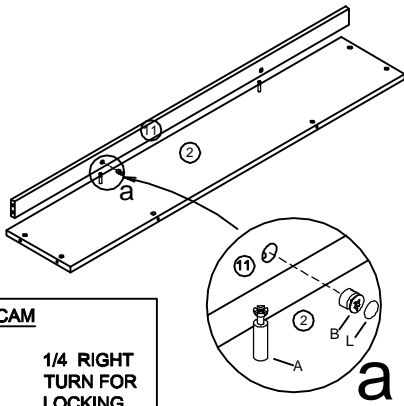
MODEL NO.: SL71HD, SL66HD

HUTCH WITH DOORS

LO2/02-09

| CONC10 | CONC11 | DOWEL | TUN022DH | TUN023DH | TUN015BG | TUN017SC | TUN018SC | FLAT BRACKET | BUMPER |
|---|------------------------------------|---------------------------------|------------------------------------|----------------------------------|--------------------------|--|---------------------------------|-------------------------------|----------------------------------|
| A Cam Lock Pin 24Pcs+5Pcs | B Cam Lock 24Pcs+5Pcs | C Dowel 20Pcs+2Pcs | D Center Door Hinge 4Pcs | E Side Door Hinge 4Pcs | F Grommet 1Pcs | G JCBC W Screw M7*2" 2Pcs | H Screw #4*5/8" 15Pcs | I Flat Bracket 2Pcs | J Bumper Plastic 4Each |
| K DEEP CAMLOCK CAP 12Pcs+2Pcs | L CAMLOCK CAP 12Pcs+3Pcs | M ADHESIVE STRIP 2Pcs | | | | | | | |

STEP1



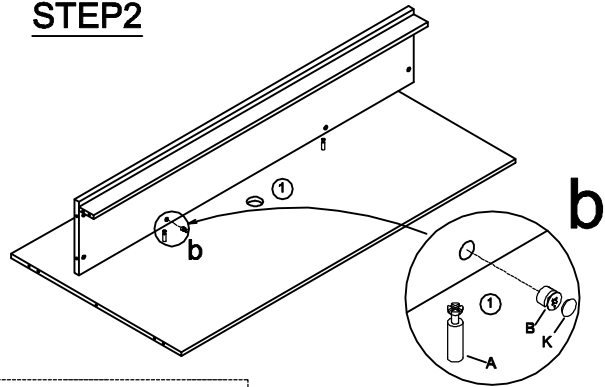
IMPORTANT:

FUNCTION OF CAM

1/4 RIGHT TURN FOR LOCKING

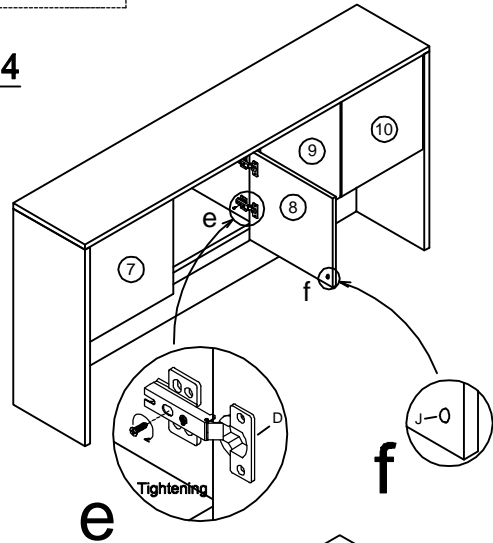
MAKE SURE THE ARROW IS POINTING UPWARDS BEFORE INSERTING INTO THE PANEL'S HOLE.

STEP2

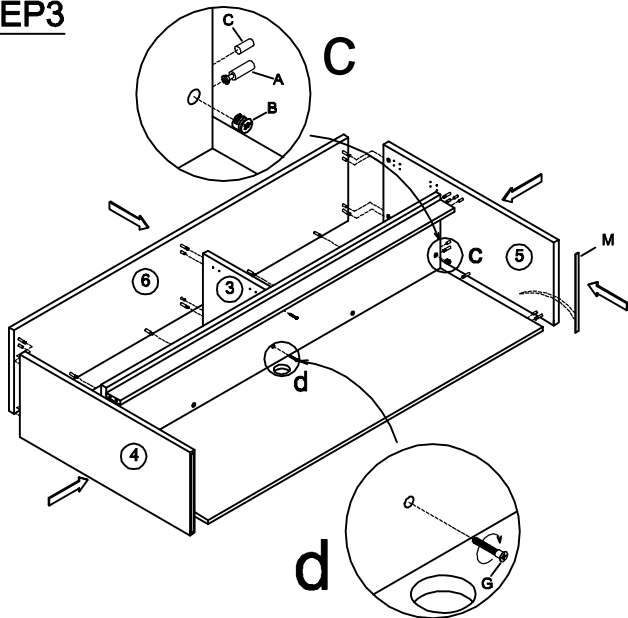


NOTE: CAP 'K' INSTALL ONTO 25MM PANELS.
CAP 'L' INSTALL ONTO 18MM PANELS.

STEP4



STEP3



CAUTION: LOCATE G SCREW
DO NOT TIGHTEN UNTIL TOP
(6) INSTALLED

IMPORTANT NOTE:

- It is advisable to assemble unit on a carpet to avoid scratch.
- Check to be sure that you have all parts and hardware.
- Don't tighten all screws/bolts until all completely assembled.
- It is recommended to require 2 persons to complete the assembling.
- To secure HUTCH attach 2Pcs Flat Plates to back of HUTCH and back of lower unit.

STEP5

