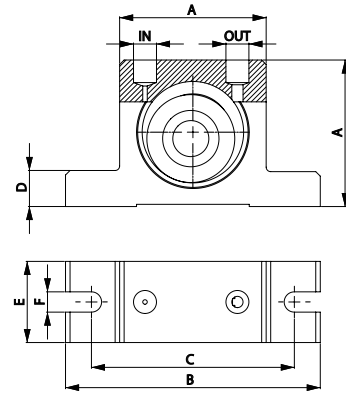


OR - Roller vibrator

In the OR series, high frequency vibration is generated by a roller that describes an epicycloidal movement inside two housings made of hardened and ground steel. The OR series is characterized by high speed, great centrifugal force (up to 783 kg) and low air consumption.



DIMENSIONAL SPECIFICATIONS															
Model	A		B		C		D		E		F		IN-OUT	Weight	
	mm	in	mm	in	mm	in	mm	in	mm	in	mm	in		kg	lb
OR50	50	2.0	86	3.4	68	2.7	12	0.5	30	1.2	7	0.3	1/8" BSPP	0.37	0.81
OR65	65	2.6	113	4.5	90	3.5	16	0.6	36	1.4	9	0.4	1/4" BSPP	0.76	1.67
OR80	80	3.2	128	5.1	102	4.0	16	0.6	40	1.6	9	0.4	1/4" BSPP	1.27	2.79
OR100	100	3.9	160	6.3	130	5.1	20	0.8	52	2.1	11	0.4	1/4"-3/8" BSPP	2.60	5.72

Model	VIBRATION			C.F. MAX						AIR CONSUMPTION					
	Vpm			2 bar (29 psi)		4 bar (58psi)		6 bar (87psi)		2 bar (29 psi)		4 bar (58psi)		6 bar (87psi)	
	2 bar (29 psi)	4 bar (58psi)	6 bar (87psi)	kg	lb	kg	lb	kg	lb	l/min*	CF/min	l/min*	CF/min	l/min*	CF/min
OR50	21000	25000	29500	188	413	281	619	355	780	78	2.8	144	5.1	204	7.2
OR65	19000	22000	26000	235	516	439	966	552	1215	100	3.5	198	7.0	296	10.5
OR80	14000	16000	21500	342	752	587	1292	624	1373	122	4.3	255	9.0	378	13.3
OR100	6750	9750	11000	289	637	604	1329	783	1722	132	4.7	284	10.0	412	14.5

* Indicates in l/min the total air consumption normalized at the rated pressure.

OR - ROLLER - PNEUMATIC ROTARY VIBRATORS

APPLICATION	Hopper and silo - piping - chute - concrete compaction
POWDER	Hygroscopic
PROBLEM SOLVING	Bridge and rat-holing - friction reduction - separation

FEATURES

DUTY CYCLE	Discontinuous
WORKING PRESSURE	From 2 bar to 6 bar (from 29 psi to 87 psi)
PNEUMATIC CIRCUIT	Filter + flow control valve + lubrication + 3/2 ways valve N.C.
AIR SUPPLY QUALITY	Class 5.4.4.
WORKING TEMPERATURE	From -20 °C to 200 °C (from -4 °F to 392 °F)
MAX NOISE LEVEL	<90 dB(a)
TECHNOLOGY	Roller vibration - high frequency and centrifugal force
ATEX	II 2D c Tx II 2G c Tx
MATERIAL	Aluminium body and brass cover

NOTE: Dimensions with coarse degree of accuracy related to UNI 22768/1

This information is provided without warranty, representation, inducement or licence of any kind. It is accurate to the best OLI knowledge or is obtained from sources believed to be accurate. OLI therefore assumes no legal responsibility. The latest and most updated information are available online.



» Conformity with European Directive