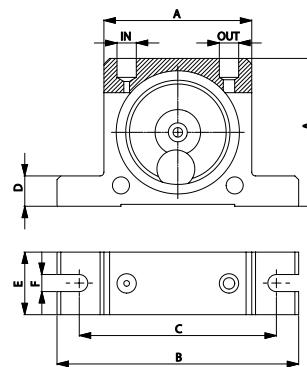


S - Ball vibrator

The OLI "S" series pneumatic rotational vibrators generate high frequency vibration thanks to a steel ball that rotates inside two housings made of hardened and ground steel.



DIMENSIONAL SPECIFICATIONS

Model	A		B		C		D		E		F		IN-OUT	Weight	
	mm	in	mm	in	mm	in	mm	in	mm	in	mm	in		kg	lb
S8	50	2.0	86	3.4	68	2.7	12	0.5	20	0.8	7	0.3	1/8" BSPP	0.13	0.29
S10	50	2.0	86	3.4	68	2.7	12	0.5	20	0.8	7	0.3	1/8" BSPP	0.13	0.29
S13	65	2.6	113	4.5	90	3.5	16	0.6	25	1.0	9	0.4	1/4" BSPP	0.26	0.57
S16	65	2.6	113	4.5	90	3.5	16	0.6	28	1.1	9	0.4	1/4" BSPP	0.30	0.66
S20	80	3.2	128	5.1	104	4.1	16	0.6	33	1.3	9	0.4	1/4" BSPP	0.53	1.17
S25	80	3.2	128	5.1	104	4.1	16	0.6	38	1.5	9	0.4	1/4" BSPP	0.63	1.39
S30	100	3.9	160	6.3	130	5.1	20	0.8	45	1.8	11	0.4	3/8" BSPP	1.13	2.49
S36	100	3.9	160	6.3	130	5.1	20	0.8	50	2.0	11	0.4	3/8" BSPP	1.34	2.95

Model	VIBRATION			C.F. MAX						AIR CONSUMPTION					
	Vpm			2 bar (29 psi)		4 bar (58psi)		6 bar (87 psi)		2 bar (29 psi)		4 bar (58psi)		6 bar (87 psi)	
	2 bar (29 psi)	4 bar (58psi)	6 bar (87 psi)	kg	lb	kg	lb	kg	lb	l/min*	CF/min	l/min*	CF/min	l/min*	CF/min
S8	25500	31000	35000	13	29	26	57	36	79	83	2.9	145	5.1	195	6.9
S10	22500	28000	34000	25	55	47	103	71	156	92	3.2	150	5.3	200	7.1
S13	15000	18500	22500	32	70	55	121	87	191	94	3.3	158	5.6	225	7.9
S16	13000	17000	19500	45	99	80	176	110	242	122	4.3	200	7.1	280	9.9
S20	10500	14500	16500	72	158	122	268	172	378	130	4.6	230	8.1	340	12.0
S25	9200	12200	14000	93	205	157	345	205	451	160	5.7	290	10.2	425	15.0
S30	7800	9700	12500	151	332	247	543	321	706	215	7.6	375	13.2	570	20.1
S36	7300	9000	10000	206	453	315	693	405	891	260	9.2	475	16.8	675	23.8

* Indicates in l/min the total air consumption normalized at the rated pressure.

S - BALL - PNEUMATIC ROTARY VIBRATORS

APPLICATION Hopper and silo - screen - vibrating table - chute

POWDER Dry and granular

PROBLEM SOLVING Bridge and rat-holing - friction reduction - separation

FEATURES

DUTY CYCLE Discontinuous

WORKING PRESSURE From 2 bar to 6 bar (from 29 psi to 87 psi)

PNEUMATIC CIRCUIT Filter + flow control valve + lubrication + 3/2 ways valve N.C.

AIR SUPPLY QUALITY Class 5.4.4.

WORKING TEMPERATURE From -20 °C to 150 °C (from -4 °F to 302 °F)

MAX NOISE LEVEL 90 dB(a)

TECHNOLOGY Rotary vibration - high frequency

ATEX II 2D c Tx
II 2G c Tx

MATERIAL Aluminium body and zinc plate cover and Ixef® covers

NOTE: Dimensions with coarse degree of accuracy related to UNI 22768/1

This information is provided without warranty, representation, inducement or licence of any kind. It is accurate to the best OLI knowledge or is obtained from sources believed to be accurate. OLI therefore assumes no legal responsibility. The latest and most updated information are available online.



» Conformity with European Directive