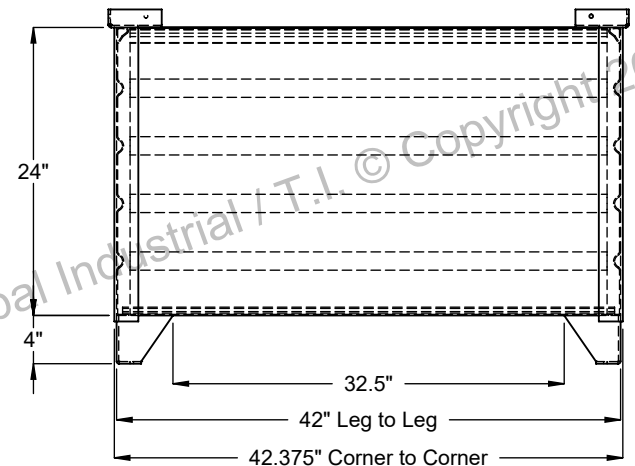
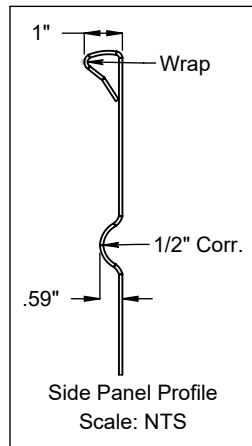
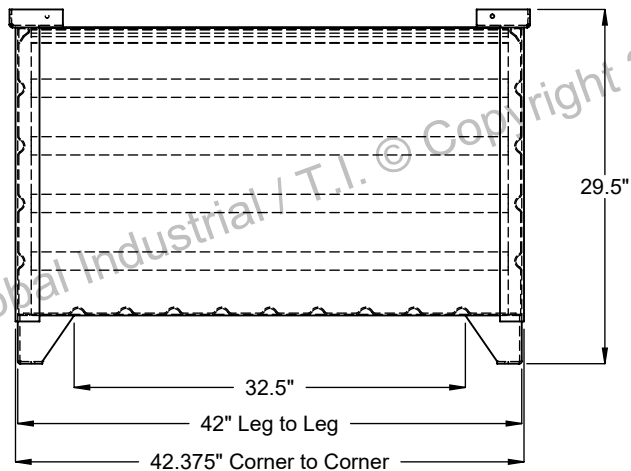


- Usable I.D.: Approx. 40.75" x 40.75" x 22.38"
- Capacity: 4000# Evenly Distributed Load.
- Stacking: 5 High Max./Static.
- Handling: 4" Under Clearance On All Sides.
- Finish: Unpainted Bare/Raw Steel.
- *Note: Open Corners & Open Corrugated Ends,
Unit Will Not Hold Liquids or Material
Smaller Than a 5/8" Ball Bearing.



PROPRIETARY AND CONFIDENTIAL: THIS DRAWING AND INFORMATION CONTAINED IN THIS DRAWING IS THE SOLE PROPERTY OF GLOBAL INDUSTRIAL'S VENDOR/MFR. T.I. ANY REPRODUCTION IN PART OR AS A WHOLE WITHOUT THE WRITTEN PERMISSION OF GLOBAL INDUSTRIAL AND IT'S VENDOR/MANUFACTURER T.I. IS PROHIBITED.



Global Item Number:
800114

| | | | | |
|--|-----------|----------------|---|---|
| Job Description: | Dwn by: | Date Printed: | DECIMAL TOLERANCE AND UNITS ± .188 UNLESS NOTED ALL DIMENSION ARE IN INCHES | Angle Tolerance X° ± 1° |
| Global Contact: www.Globalindustrial.com (800) 645-2986 | Aprvd by: | Date Approved: | Last Saved By Date: | Prepared For: Global Industrial |

Mfr. Part Number:
51009

Global Part Number:
51009