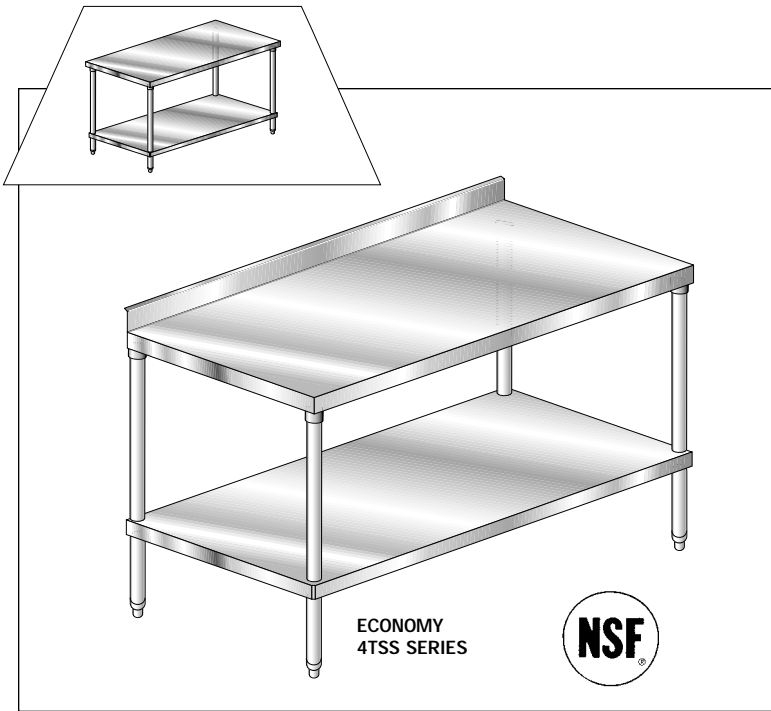




# WORK TABLE

## TSS SERIES 2<sup>3</sup>/<sub>4</sub>" Backsplash, Stainless Steel Undershef



Item# \_\_\_\_\_ Project \_\_\_\_\_

Quantity	ECONOMY 16GA 430 Model #	DELUX 16GA 304 Model #	PREMIUM 14GA 304 Model #	AEROSPEC 14GA 304 Model #
<b>24" WIDE</b>				
_____	4TSS-2424	3TSS-2424	2TSS-2424	N.A.
_____	4TSS-2430	3TSS-2430	2TSS-2430	N.A.
_____	4TSS-2436	3TSS-2436	2TSS-2436	N.A.
_____	4TSS-2448	3TSS-2448	2TSS-2448	N.A.
_____	4TSS-2460	3TSS-2460	2TSS-2460	N.A.
_____	4TSS-2472	3TSS-2472	2TSS-2472	N.A.
_____	4TSS-2484	3TSS-2484	2TSS-2484	N.A.
_____	4TSS-2496	3TSS-2496	2TSS-2496	N.A.
_____	4TSS-24108	3TSS-24108	2TSS-24108	N.A.
_____	4TSS-24120	3TSS-24120	2TSS-24120	N.A.
_____	4TSS-24132	3TSS-24132	2TSS-24132	N.A.
_____	4TSS-24144	3TSS-24144	2TSS-24144	N.A.

<b>30" WIDE</b>				
_____	4TSS-3024	3TSS-3024	2TSS-3024	N.A.
_____	4TSS-3030	3TSS-3030	2TSS-3030	N.A.
_____	4TSS-3036	3TSS-3036	2TSS-3036	N.A.
_____	4TSS-3048	3TSS-3048	2TSS-3048	N.A.
_____	4TSS-3060	3TSS-3060	2TSS-3060	N.A.
_____	4TSS-3072	3TSS-3072	2TSS-3072	N.A.
_____	4TSS-3084	3TSS-3084	2TSS-3084	N.A.
_____	4TSS-3096	3TSS-3096	2TSS-3096	N.A.
_____	4TSS-30108	3TSS-30108	2TSS-30108	N.A.
_____	4TSS-30120	3TSS-30120	2TSS-30120	N.A.
_____	4TSS-30132	3TSS-30132	2TSS-30132	N.A.
_____	4TSS-30144	3TSS-30144	2TSS-30144	N.A.

<b>36" WIDE</b>				
_____	4TSS-3636	3TSS-3636	2TSS-3636	N.A.
_____	4TSS-3648	3TSS-3648	2TSS-3648	N.A.
_____	4TSS-3660	3TSS-3660	2TSS-3660	N.A.
_____	4TSS-3672	3TSS-3672	2TSS-3672	N.A.
_____	4TSS-3684	3TSS-3684	2TSS-3684	N.A.
_____	4TSS-3696	3TSS-3696	2TSS-3696	N.A.
_____	4TSS-36108	3TSS-36108	2TSS-36108	N.A.
_____	4TSS-36120	3TSS-36120	2TSS-36120	N.A.
_____	4TSS-36132	3TSS-36132	2TSS-36132	N.A.
_____	4TSS-36144	3TSS-36144	2TSS-36144	N.A.

### MATERIAL

#### TOP

- 1<sup>7</sup>/<sub>8</sub>" turn down on 3 sides.
- Rear has a 2<sup>3</sup>/<sub>4</sub>" splash.
- Two heavy gauge steel box channels on 24" wide tables for rigidity.
- Three heavy gauge steel box channels on 30" tables for rigidity.
- Four heavy gauge steel box channels on 36" tables for rigidity.
- Sound deadened between table top and channels.

#### SHELF

- 18 gauge 430 series stainless steel.

#### LEGS

- 1<sup>7</sup>/<sub>8</sub>" O.D. 16 gauge 304 series stainless steel tubing, complete with 1" adjustable, impact resistant, white metal feet.

### DESIGN FEATURES

- Undershef is the largest in the industry.
- Undershef is fully adjustable and flexible in design.
- All tables fully cartoned.
- Easily assembled.

### EXCLUSIVE AERO SAFETY EDGE

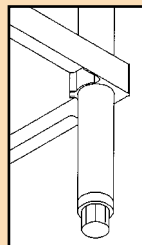
- Table and undershef hemmed to eliminate cuts from rough edges.

### CONSTRUCTION

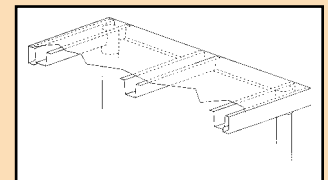
- Top is polished to a #4 mill finish.
- Heliarc welded construction creates uniform, rock-solid unit.
- Gussets fully welded for extra rigidity.
- All tables shipped K.D.

SEE PAGES TS-5A & TS-5B  
TO CUSTOMIZE YOUR  
AERO TABLE

SEE PAGES SP-6A & SP-6B  
TO DESIGN YOUR  
FLEXIBLE WORKCENTER



Adjustable  
Undershef  
with Exclusive  
**AEROLOCK**  
Extrusion



Strongest Construction  
in the Industry

# BUILT TO LAST A LIFETIME

email - sales@aeromfg.com

AERO MANUFACTURING COMPANY • 310 ALLWOOD ROAD, CLIFTON, NEW JERSEY 07012 • VOICE 973.473.5300 FAX 973.473.3794

© Copyright 2001 Aero Manufacturing Company, Inc.

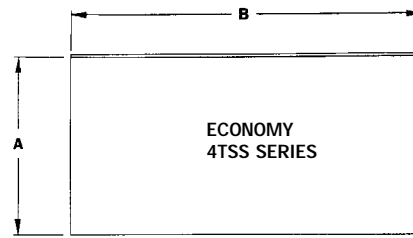
Specifications subject to change without notice.

Page T-4A

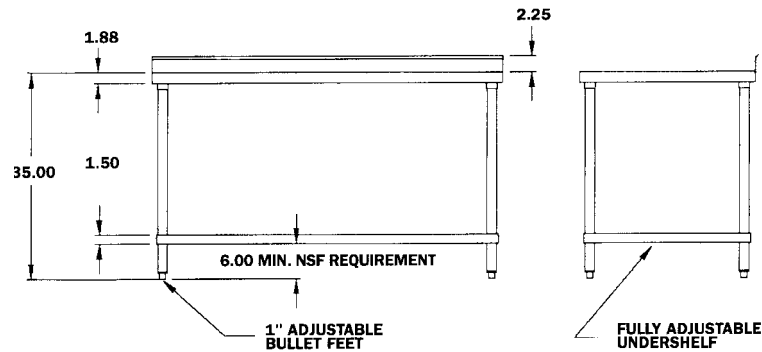


# DIMENSIONAL SPECIFICATIONS

TSS SERIES 2<sup>3</sup>/<sub>4</sub>" Backsplash, Stainless Steel Undershelf



- Tables over 72" in length are shipped with six legs.
- Undershelf O.D.  
*Table Length -2", Table Width -2".*
- All feet have a full 1" adjustability.



A Width	B Length	ECONOMY 16GA 430 Model #	DELUX 16GA 304 Model #	PREMIUM 14GA 304 Model #	AEROSPEC 14GA 304 Model #	Ship Weight	Cubic Feet
---------	----------	--------------------------	------------------------	--------------------------	---------------------------	-------------	------------

## 24" WIDE

24	24	4TSS-2424	3TSS-2424	2TSS-2424	N.A.	25	3
24	30	4TSS-2430	3TSS-2430	2TSS-2430	N.A.	42	3
24	36	4TSS-2436	3TSS-2436	2TSS-2436	N.A.	53	4
24	48	4TSS-2448	3TSS-2448	2TSS-2448	N.A.	64	5
24	60	4TSS-2460	3TSS-2460	2TSS-2460	N.A.	74	7
24	72	4TSS-2472	3TSS-2472	2TSS-2472	N.A.	85	8
24	84	4TSS-2484	3TSS-2484	2TSS-2484	N.A.	103	9
24	96	4TSS-2496	3TSS-2496	2TSS-2496	N.A.	114	11
24	108	4TSS-24108	3TSS-24108	2TSS-24108	N.A.	130	12
24	120	4TSS-24120	3TSS-24120	2TSS-24120	N.A.	227	13
24	132	4TSS-24132	3TSS-24132	2TSS-24132	N.A.	251	15
24	144	4TSS-24144	3TSS-24144	2TSS-24144	N.A.	266	16

## 30" WIDE

30	24	4TSS-3024	3TSS-3024	2TSS-3024	N.A.	47	3
30	30	4TSS-3030	3TSS-3030	2TSS-3030	N.A.	52	4
30	36	4TSS-3036	3TSS-3036	2TSS-3036	N.A.	59	5
30	48	4TSS-3048	3TSS-3048	2TSS-3048	N.A.	72	7
30	60	4TSS-3060	3TSS-3060	2TSS-3060	N.A.	85	8
30	72	4TSS-3072	3TSS-3072	2TSS-3072	N.A.	93	10
30	84	4TSS-3084	3TSS-3084	2TSS-3084	N.A.	113	12
30	96	4TSS-3096	3TSS-3096	2TSS-3096	N.A.	126	13
30	108	4TSS-30108	3TSS-30108	2TSS-30108	N.A.	150	15
30	120	4TSS-30120	3TSS-30120	2TSS-30120	N.A.	261	17
30	132	4TSS-30132	3TSS-30132	2TSS-30132	N.A.	268	18
30	144	4TSS-30144	3TSS-30144	2TSS-30144	N.A.	283	20

## 36" WIDE

36	36	4TSS-3636	3TSS-3636	2TSS-3636	N.A.	75	6
36	48	4TSS-3648	3TSS-3648	2TSS-3648	N.A.	82	8
36	60	4TSS-3660	3TSS-3660	2TSS-3660	N.A.	96	10
36	72	4TSS-3672	3TSS-3672	2TSS-3672	N.A.	108	12
36	84	4TSS-3684	3TSS-3684	2TSS-3684	N.A.	127	14
36	96	4TSS-3696	3TSS-3696	2TSS-3696	N.A.	140	16
36	108	4TSS-36108	3TSS-36108	2TSS-36108	N.A.	165	18
36	120	4TSS-36120	3TSS-36120	2TSS-36120	N.A.	261	20
36	132	4TSS-36132	3TSS-36132	2TSS-36132	N.A.	290	22
36	144	4TSS-36144	3TSS-36144	2TSS-36144	N.A.	305	24

All dimensions are typical (tol. ±1/8"). • For Accessories and Options see pages TS-5A, TS-5B.

email - sales@aeromfg.com

AERO MANUFACTURING COMPANY • 310 ALLWOOD ROAD, CLIFTON, NEW JERSEY 07012 • VOICE 973.473.5300 FAX 973.473.3794