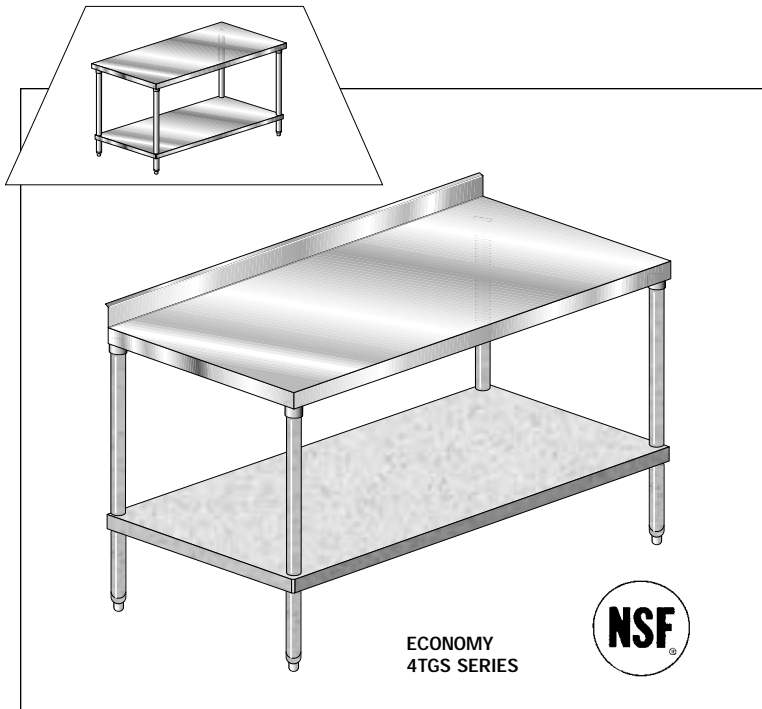


**AERO****TGS SERIES 2<sup>3</sup>/<sub>4</sub>" Backsplash, Galvanized Steel Undershef****WORK TABLE**

Item# \_\_\_\_\_ Project \_\_\_\_\_

Quantity	ECONOMY 16GA 430 Model #	DELUX 16GA 304 Model #	PREMIUM 14GA 304 Model #	AEROSPEC 14GA 304 Model #
<b>24" WIDE</b>				
—	4TGS-2424	3TGS-2424	2TGS-2424	N.A.
—	4TGS-2430	3TGS-2430	2TGS-2430	N.A.
—	4TGS-2436	3TGS-2436	2TGS-2436	N.A.
—	4TGS-2448	3TGS-2448	2TGS-2448	N.A.
—	4TGS-2460	3TGS-2460	2TGS-2460	N.A.
—	4TGS-2472	3TGS-2472	2TGS-2472	N.A.
—	4TGS-2484	3TGS-2484	2TGS-2484	N.A.
—	4TGS-2496	3TGS-2496	2TGS-2496	N.A.
—	4TGS-24108	3TGS-24108	2TGS-24108	N.A.
—	4TGS-24120	3TGS-24120	2TGS-24120	N.A.
—	4TGS-24132	3TGS-24132	2TGS-24132	N.A.
—	4TGS-24144	3TGS-24144	2TGS-24144	N.A.

<b>30" WIDE</b>				
—	4TGS-3024	3TGS-3024	2TGS-3024	N.A.
—	4TGS-3030	3TGS-3030	2TGS-3030	N.A.
—	4TGS-3036	3TGS-3036	2TGS-3036	N.A.
—	4TGS-3048	3TGS-3048	2TGS-3048	N.A.
—	4TGS-3060	3TGS-3060	2TGS-3060	N.A.
—	4TGS-3072	3TGS-3072	2TGS-3072	N.A.
—	4TGS-3084	3TGS-3084	2TGS-3084	N.A.
—	4TGS-3096	3TGS-3096	2TGS-3096	N.A.
—	4TGS-30108	3TGS-30108	2TGS-30108	N.A.
—	4TGS-30120	3TGS-30120	2TGS-30120	N.A.
—	4TGS-30132	3TGS-30132	2TGS-30132	N.A.
—	4TGS-30144	3TGS-30144	2TGS-30144	N.A.

<b>36" WIDE</b>				
—	4TGS-3636	3TGS-3636	2TGS-3636	N.A.
—	4TGS-3648	3TGS-3648	2TGS-3648	N.A.
—	4TGS-3660	3TGS-3660	2TGS-3660	N.A.
—	4TGS-3672	3TGS-3672	2TGS-3672	N.A.
—	4TGS-3684	3TGS-3684	2TGS-3684	N.A.
—	4TGS-3696	3TGS-3696	2TGS-3696	N.A.
—	4TGS-36108	3TGS-36108	2TGS-36108	N.A.
—	4TGS-36120	3TGS-36120	2TGS-36120	N.A.
—	4TGS-36132	3TGS-36132	2TGS-36132	N.A.
—	4TGS-36144	3TGS-36144	2TGS-36144	N.A.

**MATERIAL****TOP**

- 1/8" turn down on 3 sides.
- Rear has a 2 3/4" splash.
- Two heavy gauge steel box channels on 24" wide tables for rigidity.
- Three heavy gauge steel box channels on 30" tables for rigidity.
- Four heavy gauge steel box channels on 36" tables for rigidity.
- Sound deadened between table top and channels.

**SHELF**

- 18 gauge galvanized steel.

**LEGS**

- 1 1/2" O.D. 16 gauge galvanized steel tubing, complete with 1" adjustable, impact resistant, plastic feet.

**DESIGN FEATURES**

- Undershef is the largest in the industry.
- Undershef is fully adjustable and flexible in design.
- All tables fully cartoned.
- Easily assembled.

**EXCLUSIVE AERO SAFETY EDGE**

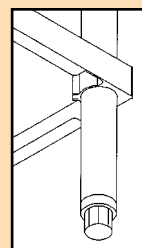
- Table and undershef hemmed to eliminate cuts from rough edges.

**CONSTRUCTION**

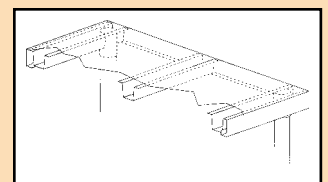
- Top is polished to a #4 mill finish.
- Heliarc welded construction creates uniform, rock-solid unit.
- Gussets fully welded for extra rigidity.
- All tables shipped K.D.

**SEE PAGES TS-5A & TS-5B  
TO CUSTOMIZE YOUR  
AERO TABLE**

**SEE PAGES SP-6A & SP-6B  
TO DESIGN YOUR  
FLEXIBLE WORKCENTER**



Adjustable  
Undershef  
with Exclusive  
**AEROLock**  
Extrusion



**Strongest Construction  
in the Industry**

**BUILT TO LAST A LIFETIME**

email - sales@aeromfg.com

AERO MANUFACTURING COMPANY • 310 ALLWOOD ROAD, CLIFTON, NEW JERSEY 07012 • VOICE 973.473.5300 FAX 973.473.3794

© Copyright 2001 Aero Manufacturing Company, Inc.

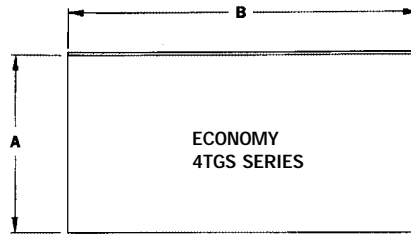
Specifications subject to change without notice.

Page T-3A

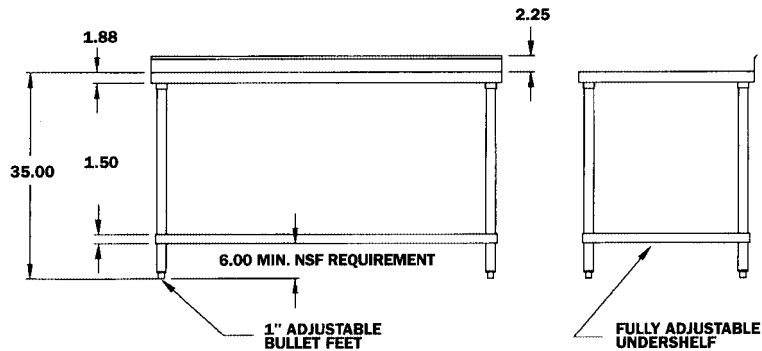


# DIMENSIONAL SPECIFICATIONS

TGS SERIES 2<sup>3</sup>/<sub>4</sub>" Backsplash, Galvanized Steel Undershelf



- Tables over 72" in length are shipped with six legs.
- Undershelf O.D.
- *Table Length -2", Table Width -2".*
- All feet have a full 1" adjustability.



A Width	B Length	ECONOMY 16GA 430 Model #	DELUX 16GA 304 Model #	PREMIUM 14GA 304 Model #	AEROSPEC 14GA 304 Model #	Ship Weight	Cubic Feet
<b>24" WIDE</b>							
24	24	4TGS-2424	3TGS-2424	2TGS-2424	N.A.	25	3
24	30	4TGS-2430	3TGS-2430	2TGS-2430	N.A.	42	3
24	36	4TGS-2436	3TGS-2436	2TGS-2436	N.A.	53	4
24	48	4TGS-2448	3TGS-2448	2TGS-2448	N.A.	64	5
24	60	4TGS-2460	3TGS-2460	2TGS-2460	N.A.	74	7
24	72	4TGS-2472	3TGS-2472	2TGS-2472	N.A.	85	8
24	84	4TGS-2484	3TGS-2484	2TGS-2484	N.A.	103	9
24	96	4TGS-2496	3TGS-2496	2TGS-2496	N.A.	114	11
24	108	4TGS-24108	3TGS-24108	2TGS-24108	N.A.	130	12
24	120	4TGS-24120	3TGS-24120	2TGS-24120	N.A.	227	13
24	132	4TGS-24132	3TGS-24132	2TGS-24132	N.A.	251	15
24	144	4TGS-24144	3TGS-24144	2TGS-24144	N.A.	266	16
<b>30" WIDE</b>							
30	24	4TGS-3024	3TGS-3024	2TGS-3024	N.A.	47	3
30	30	4TGS-3030	3TGS-3030	2TGS-3030	N.A.	52	4
30	36	4TGS-3036	3TGS-3036	2TGS-3036	N.A.	59	5
30	48	4TGS-3048	3TGS-3048	2TGS-3048	N.A.	72	7
30	60	4TGS-3060	3TGS-3060	2TGS-3060	N.A.	85	8
30	72	4TGS-3072	3TGS-3072	2TGS-3072	N.A.	93	10
30	84	4TGS-3084	3TGS-3084	2TGS-3084	N.A.	113	12
30	96	4TGS-3096	3TGS-3096	2TGS-3096	N.A.	126	13
30	108	4TGS-30108	3TGS-30108	2TGS-30108	N.A.	150	15
30	120	4TGS-30120	3TGS-30120	2TGS-30120	N.A.	261	17
30	132	4TGS-30132	3TGS-30132	2TGS-30132	N.A.	268	18
30	144	4TGS-30144	3TGS-30144	2TGS-30144	N.A.	283	20
<b>36" WIDE</b>							
36	36	4TGS-3636	3TGS-3636	2TGS-3636	N.A.	75	6
36	48	4TGS-3648	3TGS-3648	2TGS-3648	N.A.	82	8
36	60	4TGS-3660	3TGS-3660	2TGS-3660	N.A.	96	10
36	72	4TGS-3672	3TGS-3672	2TGS-3672	N.A.	108	12
36	84	4TGS-3684	3TGS-3684	2TGS-3684	N.A.	127	14
36	96	4TGS-3696	3TGS-3696	2TGS-3696	N.A.	140	16
36	108	4TGS-36108	3TGS-36108	2TGS-36108	N.A.	165	18
36	120	4TGS-36120	3TGS-36120	2TGS-36120	N.A.	261	20
36	132	4TGS-36132	3TGS-36132	2TGS-36132	N.A.	290	22
36	144	4TGS-36144	3TGS-36144	2TGS-36144	N.A.	305	24

All dimensions are typical (tol. ±1/2"). • For Accessories and Options see pages TS-5A, TS-5B.

email - sales@aeromfg.com

AERO MANUFACTURING COMPANY • 310 ALLWOOD ROAD, CLIFTON, NEW JERSEY 07012 • VOICE 973473.5300 FAX 973.473.3794