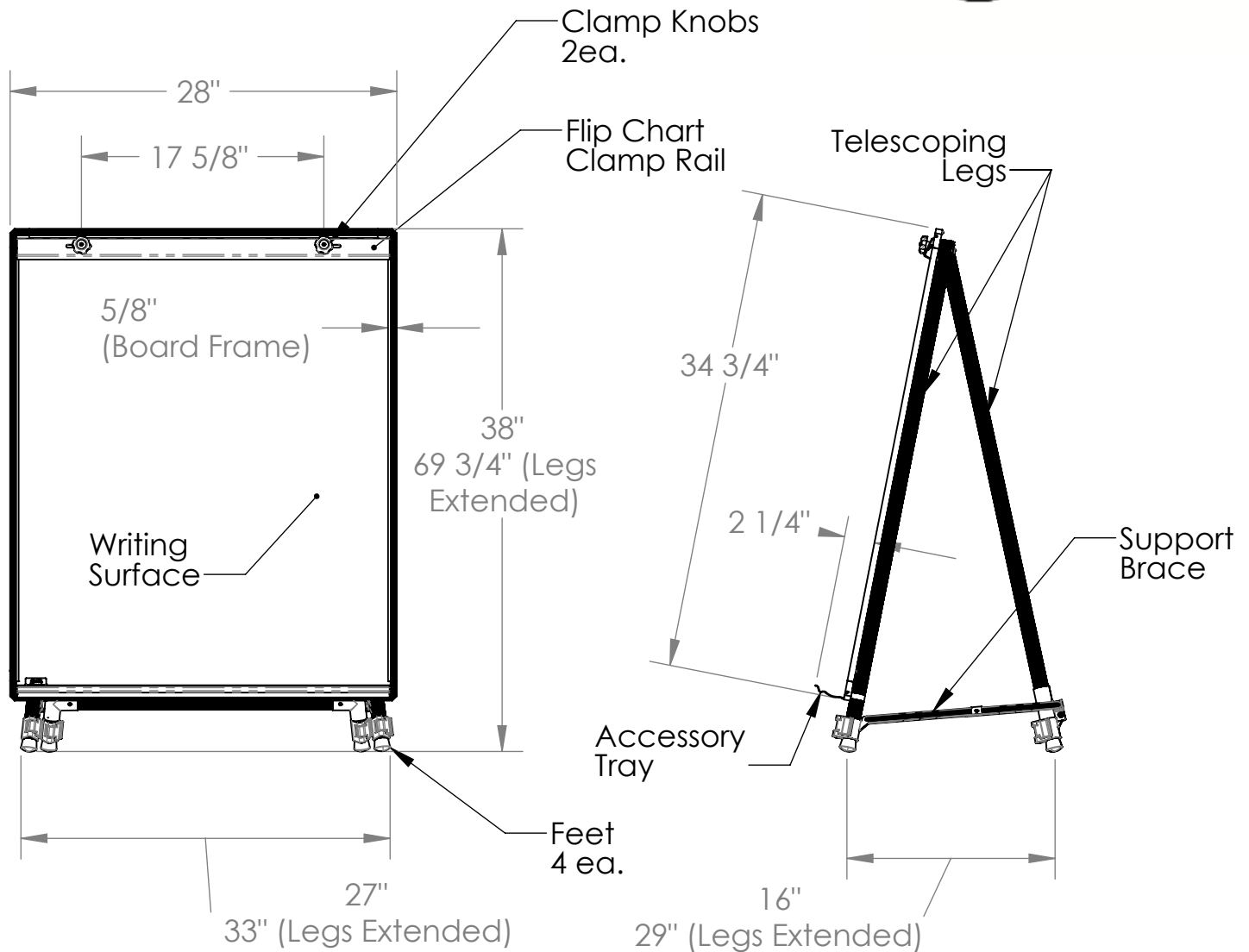


# Presentation Easel with Magnetic Whiteboard Product Specifications



## Materials:

- Telescoping Legs, Board Frame, Accessory Tray, and Support Brace: Satin anodized aluminum
- Writing Surface: White painted steel sheet laminated to 1/8" thick hardboard
- Flip Chart Clamp Rail: Light Gray powder coated steel
- Fittings, Knobs, and Board Corners: Black thermoplastic
- Feet: Black rubber

## Features:

- Telescoping legs
- Non-skid feet
- Easel is guaranteed for 1 year