

Installer: Leave this manual with the appliance. Consumer: Retain this manual for future reference.

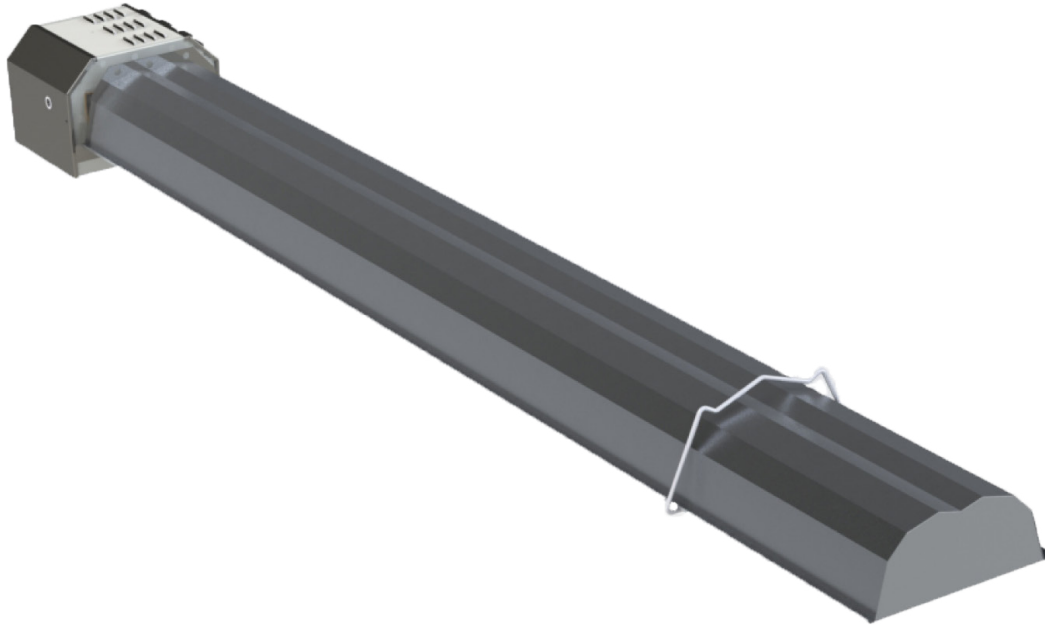


OPERATING INSTRUCTIONS AND OWNER'S MANUAL

MODEL#

GSP45

READ INSTRUCTIONS CAREFULLY: YOUR SAFETY IS IMPORTANT TO YOU AND TO OTHERS. Read and follow all instructions. Place instructions in a safe place for future reference. Do not allow anyone who has not read these instructions to assemble, light, adjust or operate the heater.



Gas-Fired Low-Intensity Infrared Heater
Approved For Residential Garage/Commercial Applications

LANGUAGES INCLUDED
•ENGLISH
•FRENCH
•SPANISH

WARNING: Improper installation, adjustment, alteration, service or maintenance can cause property damage, injury, or death. Read the installation, operating and maintenance instructions thoroughly before installing or servicing this equipment.

— WHAT TO DO IF YOU SMELL GAS

- Open Windows
- **DO NOT** try to light any appliance.
- **DO NOT** use electrical switches.
- **DO NOT** use any telephone in your house. Immediately call your local gas supplier from a telephone remote from the area of the leak. Follow the gas supplier's instructions.
- **Do not** touch any electrical switch; do not use any phone in your building.
- Installation and service must be performed by a qualified installer, service agency or the gas supplier.
- If you cannot reach your gas supplier, call the Fire Department.

FOR YOUR SAFETY:

Do not store or use gasoline or other flammable vapors and liquids in the vicinity of this or any other appliance.

WARNING: If the information in these instructions are not followed exactly, a fire or explosion may result causing property damage, personal injury or loss of life.

WARNING:

⚠ YOUR SAFETY IS IMPORTANT TO YOU AND TO OTHERS, SO PLEASE READ THESE INSTRUCTIONS BEFORE YOU OPERATE THIS HEATER.

GENERAL HAZARD WARNING:

⚠ FAILURE TO COMPLY WITH THE PRECAUTIONS AND INSTRUCTIONS PROVIDED WITH THIS HEATER CAN RESULT IN DEATH, SERIOUS BODILY INJURY AND PROPERTY LOSS OR DAMAGE FROM HAZARDS OF FIRE, EXPLOSION, BURN, ASPHYXIATION, CARBON MONOXIDE POISONING, AND/OR ELECTRICAL SHOCK.

⚠ ONLY PERSONS WHO CAN UNDERSTAND AND FOLLOW THE INSTRUCTIONS SHOULD USE OR SERVICE THIS HEATER.

⚠ IF YOU NEED ASSISTANCE OR HEATER INFORMATION SUCH AS AN INSTRUCTIONS MANUAL, LABELS, ETC. CONTACT THE MANUFACTURER.

WARNING:

⚠ FIRE, BURN, INHALATION, AND EXPLOSION HAZARD. KEEP SOLID COMBUSTIBLES, SUCH AS BUILDING MATERIALS, PAPER, OR CARDBOARD, A SAFE DISTANCE AWAY FROM THE HEATER. AS RECOMMENDED BY THE INSTRUCTIONS NEVER USE THE HEATER IN SPACES WHICH DO OR MAY CONTAIN VOLATILE OR AIRBORNE COMBUSTIBLES, OR PRODUCTS SUCH AS GASOLINE, SOLVENTS, PAINT THINNER, DUST PARTICLES OR UNKNOWN CHEMICALS.

⚠ WARNING:

THIS PRODUCT CAN EXPOSE YOU TO CHEMICALS INCLUDING LEAD AND LEAD COMPOUNDS, WHICH ARE KNOWN TO THE STATE OF CALIFORNIA TO CAUSE CANCER AND BIRTH DEFECTS OR OTHER REPRODUCTIVE HARM. FOR MORE INFORMATION VISIT WWW.P65WARNINGS.CA.GOV

CONTENTS

HAZARD WARNINGS	2
INTRODUCTION.....	3
PLANNING	6
INSTALLATION	8
VENTING	11
OPERATION	17
MAINTENANCE.....	17
TROUBLESHOOTING	18
ILLUSTRATED PARTS.....	19
LIMITED WARRANTY	20

CONTACT INFORMATION

RETAIN THIS MANUAL FOR FUTURE REFERENCE. FOR QUESTIONS, PROBLEMS, MISSING PARTS BEFORE RETURNING TO RETAILER PLEASE CALL WITH MODEL NUMBER AND SERIAL NUMBER OF HEATER:

866-447-2194

MONDAY-FRIDAY 8-5 EASTERN TIME
OR E-MAIL USING THE HEATSTAR WEBSITE:
WWW.HEATSTARBYENERCO.COM

In order to provide the best service possible HEATSTAR is now giving you more ways to get in touch with us. Find informational videos at:

 YouTube: youtube.com/heatstarTV

HEATSTAR'S full line of products are now at:
WWW.HEATSTARBYENERCO.COM

BEFORE YOU BEGIN

Read this manual carefully before installing or servicing this equipment. Improper installation, servicing, or maintenance will cause death, injury, or property damage. Check the minimum required safe distances from combustibles given on the outside of each burner box to make sure that the product is suitable for your application. The minimum required safe distances from combustibles is also found on page 8 of this manual. Installer must be a licensed contractor or representative. After the installation is complete, check product operation as provided in these instructions.

UNPACKING THE HEATER

Manpower Requirements

To prevent personal injury and damage to the heater, two persons will be required to remove the heater from the carton. Both ends of the heater should be lifted from the carton at the same time. The burner box should be lifted by gripping the bottom of the box. The reflector end of the heater should be lifted using the rear moveable hanger.

Safety

Thin sheet metal parts, such as the reflector portion of the heater and the various venting components, have sharp edges. To prevent injury, the use of work gloves is recommended. The use of gloves will also prevent the transfer of body oils from the hands to the surface of the reflector.

INTRODUCTION

About The Heater

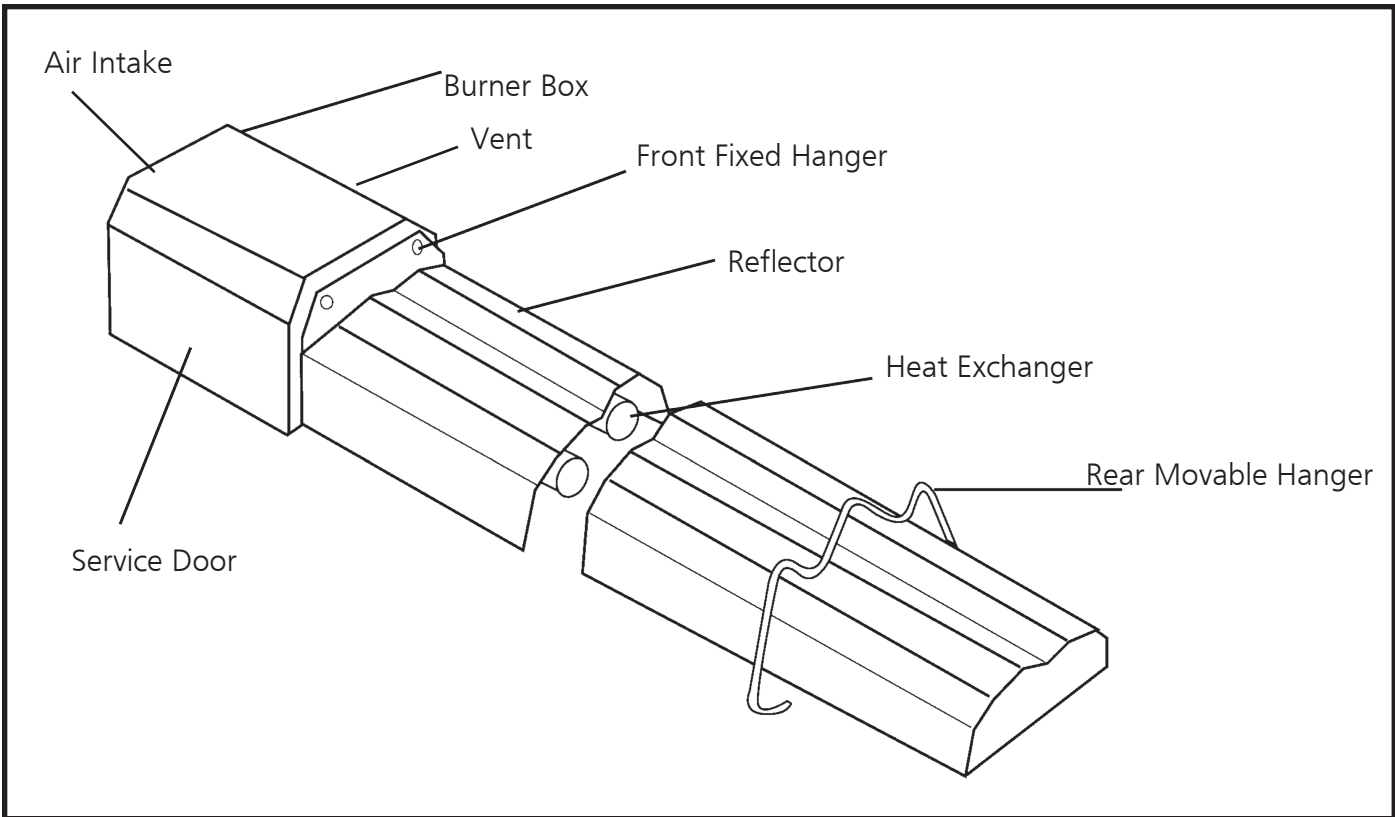
The GSP45 is a factory-assembled, gas fired, low-intensity heating system. The system has been designed for easy installation and will provide years of economical operation and trouble-free service. Not only is infrared heat efficient, it also provides the most comfortable conditions in open areas, such as workshops.

Gas-Fired means it uses clean-burning Natural or LP gas. Low-Intensity means that the radiant surface of the heat exchanger tube does not glow red. Instead, it operates at a lower temperature (less than 1000°F) and radiates energy at a lower intensity per square foot of radiating surface. The lower temperature and

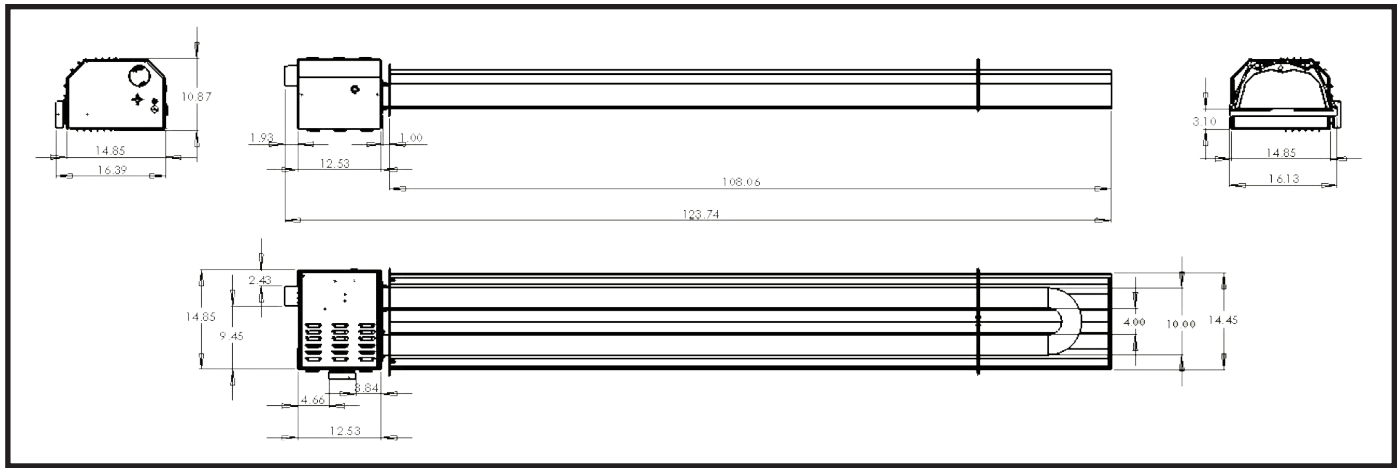
intensity levels are within a range that is most effective in establishing and maintaining personal comfort levels. An aluminum reflector directs the radiant energy downward to the occupied area. Radiant refers to the energy radiated by the tube heater. Because the energy is in the form of infrared rays, it does not directly heat the air. Instead, the rays heat objects such as the floor, cars, machines and people. The warm objects, in turn, heat the air. These combined features are the key to the exceptional comfort and fuel efficiency provided by the tube heater.

Available Accessories

F102848	Category I Vertical Vent Kit
F102860	Category III Horizontal Stainless Steel Vent Kit
F102859	Decorative Egg Crate Kit



Burner Box	Contains the electrical components (i.e. blower motor, power transformer, etc.) and gas distribution components (i.e. gas valve, etc.) that make the heater work. There are no owner serviceable items contained in this box.
Front Fixed Hanger	Provides rigid support and mounting surface for the reflector. Holes are provided in the upper corners and center of the bulk
Reflector	The reflector is made from formed aluminum and reflects the radiant energy downward to the space to be heated.
Heat Exchanger	A U-shaped tube through which the heated products of combustion pass.
Rear Movable Hanger	Provides support for the heat exchanger and reflector at the end that is furthest from the burner box. The support may be moved (within limits) to accommodate hanging of the unit.
Service Door	To be removed only by a licensed contractor. Removal of this service door provides access to the electrical and gas distribution components.
Intake Vent	Accommodates a 3" diameter combustion air inlet duct that delivers fresh air to the burner.
Exhaust Vent	Accommodates the air-venting duct that carries the products of combustion to be vented outdoors.
Nipple - 1/2" NPT	Point at which the gas supply is connected to the heater.
Power Cord	Includes a three prong plug that must be connected to a dedicated and properly grounded three prong ceiling outlet.



Leading Particulars			
Model No.	BTU/hr	Weight	Length
GSP45	45,000 (13.2 kW)	91 lbs (41.3 kg)	10' 3" (3.12 m)

HEATER SPECIFICATIONS

Electrical	Voltage		120V
	Connection		3 pin molded plug
Gas Inlet	Connection		1/2 Male NPT
	Pressure for Natural Gas	Minimum	5.0" W.C. (1.25 kPa)
		Maximum	11.0" W.C. (2.74 kPa)
	Pressure for LP Gas (Propane)	Minimum	11.0" W.C. (2.74 kPa)
Maximum		13.0" W.C. (3.24 kPa)	
Manifold Pressure	Natural Gas		4.0" W.C. (1 kPa)
	LP Gas (Propane)		10.0" W.C. (2.49 kPa)

VENTING SPECIFICATIONS

Air Intake/Venting Pipe Requirements	Length	Minimum	3' (0.9144 m)
	Length	Maximum	25' (7.62 m)
	Intake Pipe Diameter		3.0" (7.62 cm)
	Vent Pipe Diameter		4.0" (10.16 cm)

Where can the heater be installed?

The GSP tube heater is intended for installation for light industrial/commercial applications such as the following areas:

- entrance ways
- lobby areas
- aircraft hangars (see page 7 for restrictions)
- public garages (see page 7 for restrictions)
- greenhouses
- workshops

Where can't the heater be installed?

The GSP tube heater is not intended for installation in the following areas:

- Residential living or sleeping areas
- Basements

Installer's responsibility

The GSP tube heater, as well as the gas and electrical supply, and the venting of the heater must be installed in accordance with the applicable specifications and codes. Only firms (or individuals) well qualified in this type of work should install the system. Consult local Building Inspectors, Fire Marshals for further guidance.

Use the information given in this manual together with the cited codes and regulations to perform the installation. The installer must furnish all needed materials that are not furnished as standard equipment. It is also the installers responsibility to see that the materials and installation methods used result in a job that is workmanlike in appearance and is in compliance with all applicable codes and requirements to this manual. The installer must give this manual to the owner.

The stated clearances to combustibles (page 8) represents a surface temperature of 90°F (32°C) above room temperature. Building material with low heat tolerance (such as plastics, vinyl siding, canvas, tri-ply, etc.) may be subject to degradation at lower temperatures. It is the installer's responsibility to assure that adjacent materials are protected from degradation.

PLANNING

General

This section provides the following information:

- Defines the gas, electric and venting requirements for the GSP tube heater.
- Specifies the national standards and applicable codes that apply to the gas, electric and venting requirements.
- Specifies the national standards and applicable codes that apply to non-residential installations.

Gas Service Requirements:

Type of Gas

The type of gas appearing on the nameplate must be the type of gas used. Installation must comply with local codes and recommendations of the local gas company. United States: Refer to National Fuel Gas Code, ANSI Z223.1 - latest revision, (same as NFPA Bulletin 54). In Canada: Refer to Can 1-B149.1: Installation Codes for Gas Burning Appliances.

Gas Supply Lines

The size of the gas supply lines must comply with local codes and recommendations of the local gas company. United States: Refer to National Fuel Gas Code, ANSI Z223.1 - latest revision, (same as NFPA Bulletin 54). In Canada: Refer to CAN 1-B149.1: Installation Codes for Gas Burning Appliances. A 1/8" NPT plugged tap must be installed in the gas line connection immediately upstream of the heater that is farthest from the gas supply meter. The tap is required to check system gas pressure.

Meter and Service

Meter and service must be large enough to handle all the heaters being installed plus any other connected load. The gas line which feeds the system must be large enough to supply the required gas with a maximum pressure drop of 1/2"W.C. (0.125 kPa) When gas piping is not included in the layout drawing, the local gas supplier will usually help in planning the gas piping.

Electrical Service Requirements: System Requirements

The GSP tube heater requires a grounded three-prong electrical outlet to be installed within 36 inches of the rear surface of the heater's burner box. It is recommended that the outlet for the heater be ceiling-mounted and should be on a dedicated circuit. **DO NOT** use an electrical extension cord to operate the heater.

Heater Rating: 120VAC, 60Hz, Single Phase, 1 Amp

⚠WARNING:

Electrical Shock Hazard
Plug heater into grounded three-prong ceiling receptacle. Do not cut or remove the grounding prong from this plug. Do not use with an extension cord.
Failure to follow these instructions will result in death or electrical shock.

Grounding

The heater must be electrically grounded in accordance with the following codes: United States: Refer to National Electrical Code ANSI/NFPA-70 latest revision. Wiring must conform to the most current National Electrical Code and local ordinances. In Canada: Refer to Canadian Electrical Code, CSA C22.1 Part 1 - latest revision.

Venting Requirements: System Requirements

The GSP tube heater must be installed with venting or with one of the optional venting kits available from Enerco.

DO NOT connect this heater to a separate chimney. Gas appliances must not be connected to a chimney flue serving a separate solid-fuel burning appliance. **DO NOT** common vent with any other fuel burning appliance.

Air Intake/Venting Pipe Requirements	Length	Minimum	3' (0.9144 m)
	Length	Maximum	25' (7.62 m)

⚠WARNING:

Carbon Monoxide Hazard
Heater must be exhausted outside.
Use materials supplied.
Failure to follow these instructions will result in death or injury.

Venting Codes

The location, size, installation and termination of vents, as well as the minimum required safe distances when penetrating combustible walls, must comply with local codes and recommendations of the local gas company. United States: Refer to National Fuel Gas Code, ANSI Z223.1 - latest revision, (same as NFPA Bulletin 54). In Canada: Refer to Can 1-B149.1: Installation Codes for Gas Burning Appliance.

Non-residential Installations: Aircraft Hangars

The GSP tube heater may be used in certain areas of aircraft hangars. Installation in aircraft hangars must be in accordance with the following codes: United States: Refer to Standard for Aircraft Hangars, ANSI/NFPA-409 - latest revision. Canada: Refer to Standard CGA B149-1M91.

Heaters in aircraft storage or service areas must be installed a minimum of 10 feet (3.048 m) above the upper surface of wings or engine enclosures of the highest aircraft which may be housed in the hangar. (This should be measured from the bottom of the heater to the top of the wing, or engine enclosure, whichever is highest from the floor).

In other sections of aircraft hangars, such as shops or office, heaters must be installed a minimum of 8 feet (2.44 m) above the floor.

Heaters installed in aircraft hangars shall be located so as not to be subject to damage by aircraft, cranes, movable scaffolding or other objects.

When installed over hoists, the minimum required safe distances to combustibles must be maintained from the uppermost point of the combustible materials placed on the hoist.

Public Garages

The GSP tube heater may be used in public garages. Installation in public garages must be in accordance with the following codes: United States: Standard for Parking Structures NFPA-88A-Latest revision, or the Standard for Repair Garages, NFPA-88B-Latest revision. Canada: Refer to Can 1-B149.1: Installation Codes for Gas Burning Appliances.

Heaters must be installed a minimum of eight feet (2.43 meters) above the floor. Minimum required safe distances to combustibles must be maintained from vehicles parked below the heater.

When installed over hoists, the minimum required safe distances to combustible must be maintained from the uppermost point of the combustible materials placed on the hoist.

Hazardous Locations

Where there is the possibility of exposure to combustible airborne material or vapor, consult the local Fire Marshal, the Fire Insurance Carrier or other authorities for approval of the proposed installation.

INSTALLATION

⚠WARNING:

Several steps are involved in the installation of the heater. **DO NOT** attempt to operate the heater until ALL steps of the installation have been accomplished. Failure to follow this warning will cause death, injury or property damage.

Safety Equipment

Use of the following safety equipment is recommended for installation of the GSP tube heater:

- Work gloves
- Safety glasses

Installation Tools

Tools required for the installation of the GSP tube heater may include the following:

- Tape measure
- Electrical drill (with an assortment of drill bits)
- Pipe wrenches - 2 required
- Screwdriver
- Staple gun
- Level
- Pliers

Installation Materials

Materials required for the installation of the GSP tube heater include the following:

- High temperature silicone sealant
- Suspension hooks (capable of supporting 150 pounds [68 kg] each)
- Sheet metal screws

The following items may be required for your particular installation:

- Plastic drain hose
- Additional vent pipe
- Roof flashing
- Rain collar
- Chain - 2/0, or equivalent
- S-hooks (as required)

Choose Location for Heater

When selecting a suitable mounting location for the GSP tube heater it is important to consider the following:

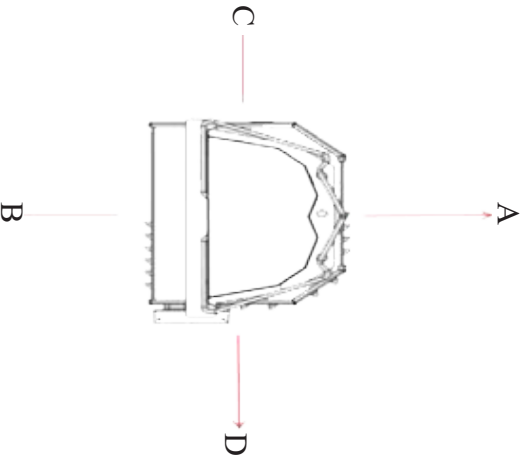
1. The heater must meet the minimum mounting height requirement of 7 feet (2.13 m) above the floor. For aircraft hangars and public garages, the heater must meet the minimum mounting height requirement of 8 feet (2.43 m) above the floor.
2. The proposed mounting location allows for the minimum required safe distances from combustibles (combustibles include vehicles, wood, gasoline and flammable objects, liquids, and vapors).
3. The proposed mounting location of the heater will not restrict motion of passageway doors or windows.
4. The proposed mounting location of the heater will not interfere with operation of the overhead garage door.
5. The proposed location will provide the best coverage of the total area to be heated.
6. The proposed location must provide for adequate combustion and ventilation air.
7. The proposed location must provide for adequate accessibility clearance for service and proper operation.
8. Consideration be given to the types of vehicles that will be parked in the garage (cars, vans, boats, RV's etc.).
9. The proposed location will allow for the minimum required safe distances from combustibles with respect to the vehicles parked in the garage.
10. The proposed location will allow the required utilities (i.e.: gas and electric) and venting to be installed (maximum vent length is 25 feet [7.62 m]).
11. Sufficient clearances will exist to allow for maintenance.
12. Overhead structural members (rafters, beams, etc.) are accessible for attaching the heater.
13. Location must allow for adequate clearance around air openings into the combustion chamber.

Minimum Required Safe Distances from Combustibles

In all situations, the minimum required safe distances from combustibles must be maintained. Combustibles are materials which may catch on fire and include many common items such as wood, paper, rubber, fabrics, etc. Combustible materials such as those noted, and any other combustible materials must not be placed closer to any base or side of the GSP tube heater than the distances noted in the diagrams on the following page. If you have any questions about the minimum required safe distances from combustibles, or the associated diagrams, please contact your installer, Enerco representative or distributor, of Enerco Technical Products during normal business hours which are Monday through Friday, 8:15 a.m. to 4:45 p.m., Eastern Time.

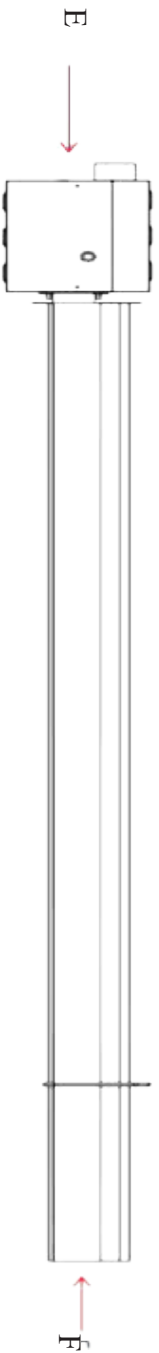
Telephone: 866-466-2194

It is important to keep the minimum required safe distances from combustibles at all times to avoid death, personal injury or property damage. Clearances from vehicles parked beneath heaters must be maintained. Signs should be posted to identify any possible violation of the clearance distances from the heater in the vehicle areas. Maximum allowable stacking height in storage areas should be identified with signs or appropriate markings. The illustrations and tables on the adjoining page specify the minimum required safe distances from combustibles.

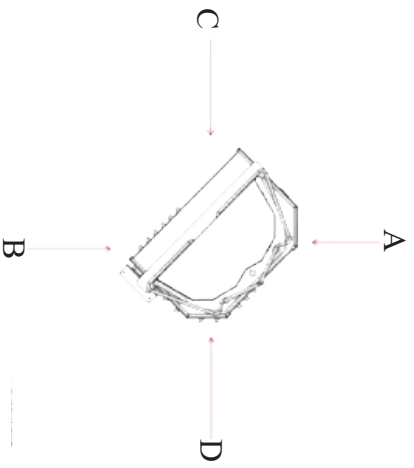


A	B	C	D	E	F
6"	54"	24"	24"	24"	6"
(15.24 cm)	(137.16 cm)	(60.96 cm)	(60.96 cm)	(60.96 cm)	(15.24 cm)

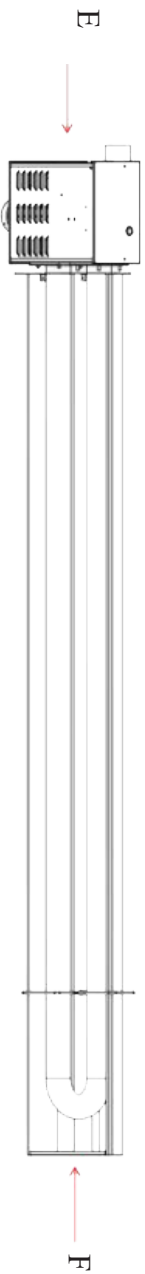
Horizontal Installations



Note: Dimension "B" indicates the **minimum** required safe distances from combustibles, it **DOES NOT** indicate the required mounting height. The minimum mounting height is 7 feet, except for aircraft hangars and public garages.



A	B	C	D	E	F
6"	36"	36"	6"	24"	6"
(15.24 cm)	(91.44 cm)	(91.44 cm)	(15.24 cm)	(60.96 cm)	(15.24 cm)



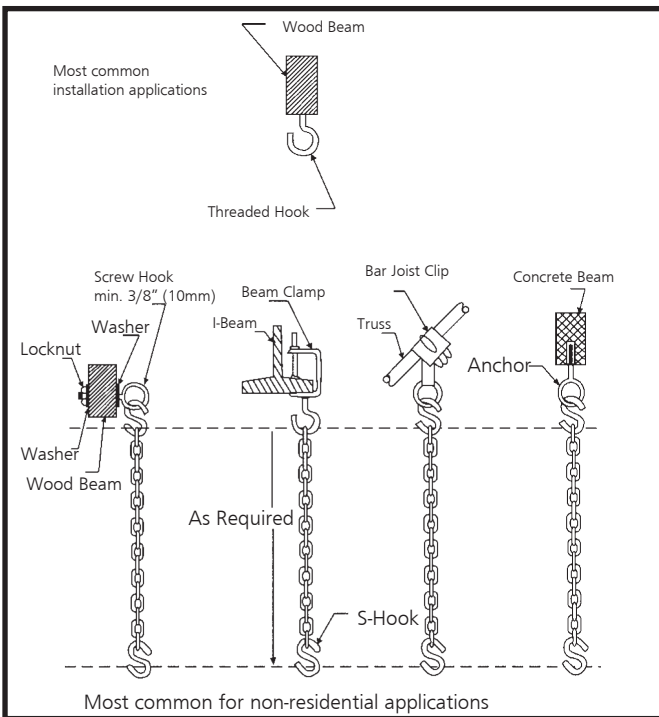
45 ° Tilted Installations

Hang the Heater

Installation locations come in a variety of sizes, shapes, styles and methods of construction. Because of all these variables, it is not possible to include mounting hardware with the GSP heater. Although wooden rafters and joists are the most common overhead structural members in residential garage applications, other structural configurations are also illustrated below.

In the typical suspension methods shown below, lengths of chain are shown as a means of lowering the heater. However, for most installation applications it may not be necessary to lower the heater. Instead, it may be possible to screw hook-type hardware into the underside of a beam. The exposed hook could directly engage one of the three mounting holes in the front fixed hanger, while another hook could engage in one of the three suspension loops of the rear movable hanger.

Whichever method of suspension is selected, the two required suspension points must be capable of supporting a minimum of 150 pounds (68 kg) each.



Heater Orientation

The GSP tube heater may be installed in any of the three orientations indicated below. Select the heater orientation that is best suited for the location that you have chosen for your heater.

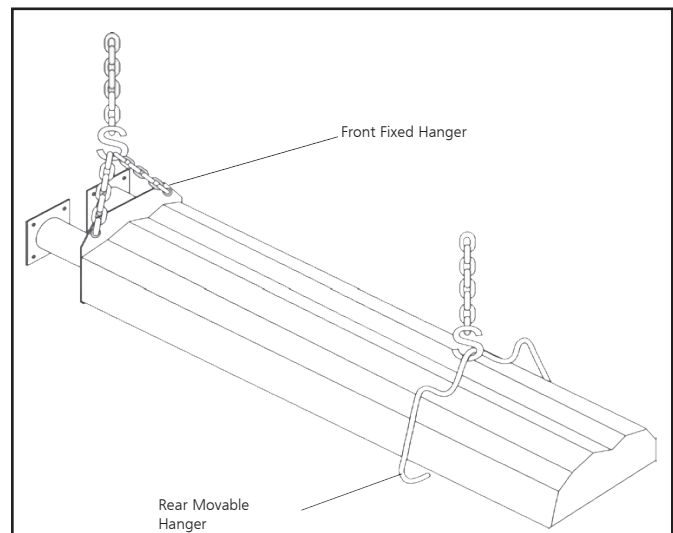
- Horizontally
- Tilted 45° Right
- Tilted 45° Left

NOTE: If the heater is going to be vented through the roof, be sure to carefully review the roof option installation portion of this section. Ensure that the selected mounting site will satisfy the measurement parameters (vent length not to exceed 25 feet [7.62 m]) described in that section.

Horizontal Installation

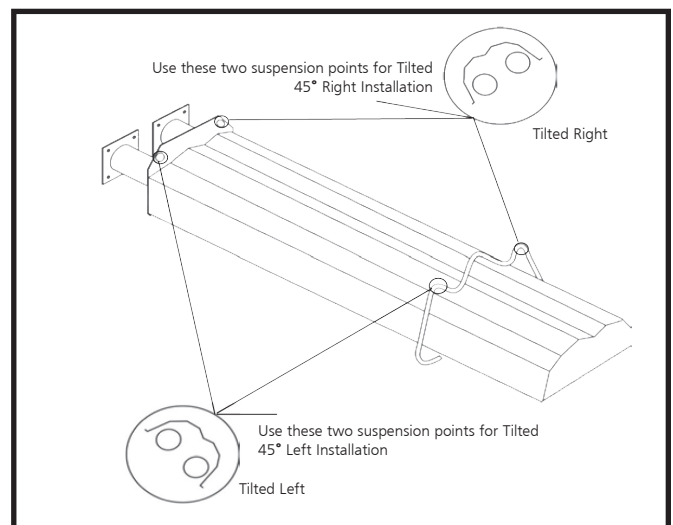
1. Using S-hooks, attach two equal lengths of 2/0 chain, or equivalent, to the two uppermost holes in the front fixed hanger.
2. Slip the free end of both chains onto another S-hook, as shown.
3. The uppermost S-hook can now be installed on the suspension hardware that you have installed for suspension of the unit. An additional length of chain may also now be installed, if required, to lower the heater.

NOTE: The hook portion of hook-type suspension hardware may directly engage the two holes in the front fixed hanger and the center loop of the rear moveable hanger.



45 ° Tilted Installations

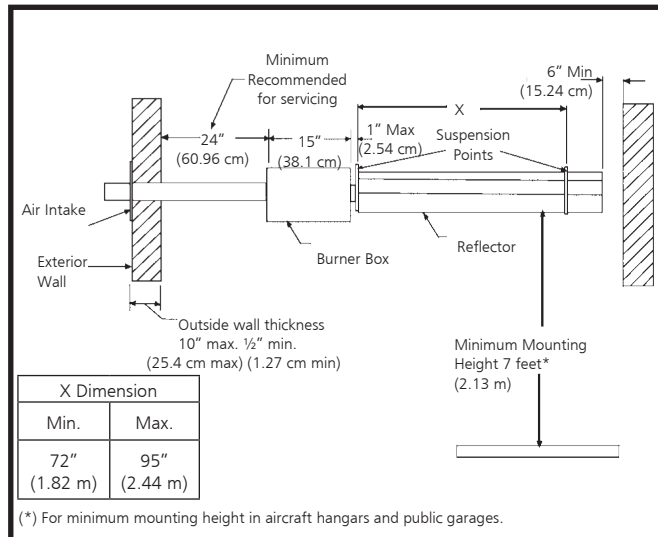
1. Determine if the heater is going to be tilted left, or tilted right. The front and rear suspension points selected must be on the same side (left or right) of the heater as shown below.
2. Attach suspension hooks and/or chains to the selected suspension points of the heater.



Typical Installation

The illustration below shows a typical installation of the GSP tube heater. The installation drawing shown has a straight horizontal venting arrangement and specifies the minimum space required for maintenance, as well as the allowable range of distances between the two suspension points.

Detailed venting arrangements are illustrated in following portions of this section.



VENTING

- Venting must be in compliance with the latest edition of the National Fuel Gas Code (ANSI Z223.1 latest edition: or the authority having jurisdiction.)
- Uninsulated single-wall metal pipe shall not be used outdoors in cold climates for venting of these heaters as specified by Section 7.8 of the ANSI Z223.1/NFPA 54 National Fuel Gas Code-latest edition.
- For the installation of a single-wall metal pipe through an exterior combustible wall, refer to the latest edition of the National Fuel Gas Code or the authority having jurisdiction.
- In regions of the country where prevailing winds are consistently higher than 40 mph (64.4 kmh), it may be necessary to terminate the vent system above the roof level.

Other venting references can be found in equipment volume of the ASHRAE Handbook.

General Guidelines

Regardless of the venting arrangement that will be connected to the heater, the following general guidelines for venting must be followed:

1. The installation must conform with local codes or in the absence of local codes with the National Fuel Gas Codes, ANSI Z223.1/NFPA 54, Natural Gas and Propane Installation Code, CSA B149.1 for Canada.
2. Appliance input ratings are based on sea level operation need not be changed for operating up to 2,000 feet (609.9m) elevation. For operation at elevations above 2,000 feet (609.9m) contact manufacturer for specified deration condition for Canada and the United States.

3. The appliance and its main gas valve must be disconnected from the gas supply piping system during any pressure testing of that system at test pressures in excess of ½psi (3.5kPa).
The appliance must be isolated from the gas piping system by closing equipment shutoff valve during pressure testing of the gas supply piping system at test pressures equal to or less than ½psi (3.5kPa).
(WARNING) Materials and items, when stored under this heater, will be subjected to radiant heat and could be seriously damaged.
4. All horizontal venting sections must slope away from the heater at a rate of ¼" per foot (0.635 cm per 0.3m)
5. The total length of vent pipe (horizontal and vertical runs combined, plus the length of the exterior termination) must not exceed 25 feet (7.62 m), and must not be less than 3 feet (0.9144 m).
6. The vent terminal, mounted outside of the building, should not be located above walkways. Condensate produced during operation of the heater could drip onto the walkway and could form ice during cold weather.
7. Be sure that the venting installation is in accordance with all applicable local codes and recommendations of the local gas company.
8. DO NOT connect this heater to a separate chimney, and DO NOT common vent with any other fuel burning appliance. Gas appliances must not be connected to a chimney flue serving a separate solid-fuel burning appliance.
9. Maintain a minimum of 1-inch (2.54 cm) clearance from combustibles around all vent pipes.
10. Seal all vent pipe connections with high temperature silicone sealant and secure each connection with three sheet metal screws.

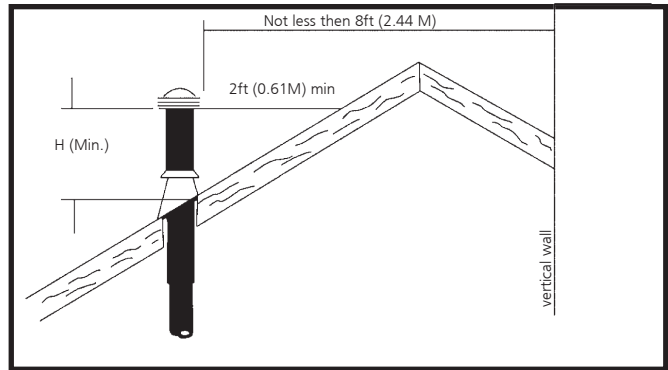
A. VERTICAL VENTING THROUGH THE ROOF

This heater, when vertically vented, must be installed with the approved venting system. For vertical vent installations the GSP45 tube heater is certified as a category I appliance.

NOTE: For applications where the heater must not be connected to a separate chimney, it must be installed using the venting system as specified below.

1. When venting the heater to outside of building through a roof, use 4 inch (10.16 cm) O.D. single-wall metal pipe. This is to be constructed of galvanized sheet metal or other approved noncombustible, corrosion-resistant material as indicated by state and/or local codes.
2. A vent passing through a combustible roof shall extend through a 2-inch (5.08 cm) clearance roof thimble. Double-wall, Type B vent must be used for the portion of the vent system which passes through the roof. An approved vent cap (such as Leslie "VeraCap" Type B) must be attached to the end of the flue.

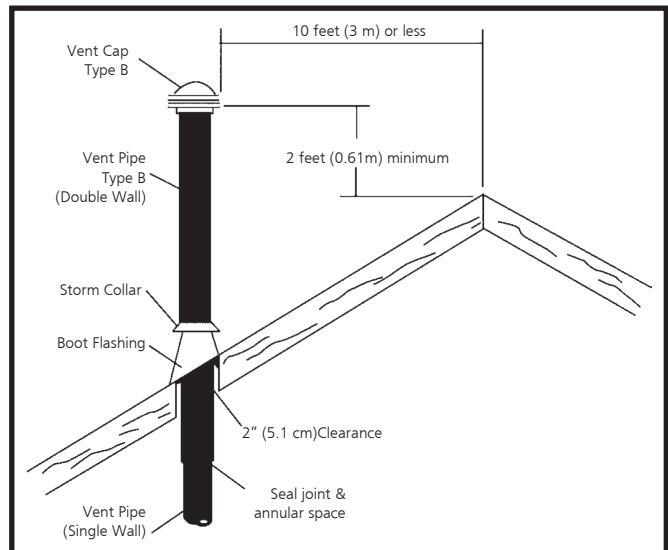
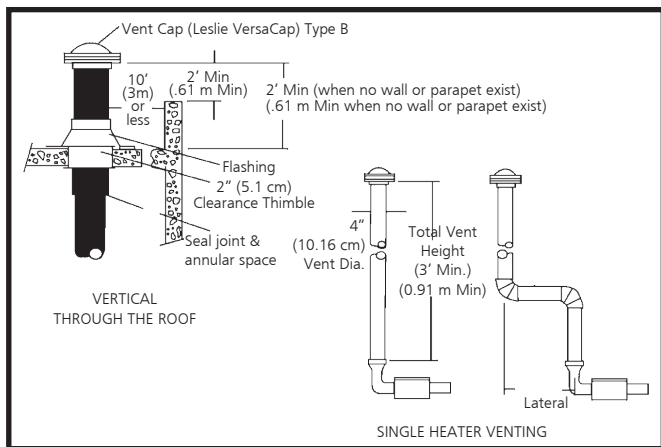
- The maximum equivalent length of vent pipe should be carefully observed. A safety switch in the heater is designed to shut the heater off before excessive flue restriction causes bad combustion. In addition to the length restrictions stated below, use no more than two elbows in your vent system.
Minimum Equivalent Length = 3 feet (0.9144 m) of Pipe
Maximum Equivalent Length = 25 feet (7.62 m) of Pipe
- Joints between sections of piping shall be fastened by sheet metal screws or other approved means. The seams along the length of the piping and the joints between sections of piping should be sealed to prevent a potential leakage of flue gas into building. Use 100% RTV Silicone Rubber Adhesive sealant suitable for 500°F. (260°C)
- All portions of the vent pipe shall be supported to prevent from sagging.
- When the vent pipe passes through areas where the ambient temperature is likely to induce condensation of the flue gasses, the vent pipe should be insulated and a condensation drain should be provided.
- The minimum clearance to combustibles materials for single-wall flue pipe shall be 6 inches (15.24 cm). This may be reduced when the combustibles material is protected as specified in the National Fuel Gas Code or the authority having jurisdiction.
- Single-wall metal pipe shall not originate in any unoccupied attic or concealed space and shall not pass through any attic, inside wall or concealed space, or through any floor.
- A venting system shall terminate at least 3 feet (0.9m) above any forced air inlet located within 10 feet (3.1m).



MINIMUM HEIGHT FROM ROOF TO LOWEST DISCHARGE OPENING

Roof Pitch	H Minimum
Flat to 6/12 (22.62°)	1.0 Feet (0.3m)
Over 6/12 (22.62°) to 8/12 (33.68°)	1.5 Feet (0.46m)
Over 8/12 (33.68°) to 10/12 (39.81°)	2.5 Feet (0.76m)
Over 10/12 (39.81°) to 12/12 (45°)	4.0 Feet (1.22m)
Over 12/12 (45°) to 16/12 (53.13°)	6.0 Feet (1.83m)
Over 16/12 (53.13°) to 20/12 (59.03°)	7.5 Feet (2.29m)

- All other gas vents shall terminate not less than 2 feet (0.6m) above the highest point where they pass through the roof and at least 2 feet (0.6m) higher than any portion of a building located within 10 feet (3.1m) as shown in the following illustration.



B. VENT TERMINATION

- The vent terminal shall terminate above the roof line so that no discharge opening is less than 2 feet (0.6m) horizontally from the roof surface. The lowest discharge opening will be no closer than the minimum height specified in the following table. These minimum heights may be used provided the vent is not less than 8 feet (2.4m) from any vertical wall or similar obstruction.

C. HORIZONTAL THROUGH THE SIDEWALL

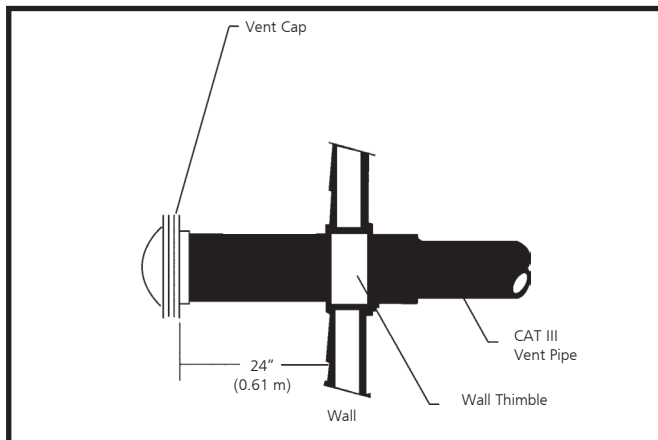
This heater, when horizontally vented, must be installed with the approved venting system. For horizontal vent installations the GSP45 tube heater is certified as a category III appliance.

- When venting the heater to the outside of the building through a sidewall, use 4 inch (10.16 cm) O.D. single-wall metal pipe. This is to be constructed of stainless steel.

2. For horizontal venting, the vent lengths may be as follows:
 Minimum Equivalent Length = 3 feet (0.9144 m) of Pipe
 Maximum Equivalent Length = 25 feet (7.62 m) of Pipe

NOTE: To minimize problems associated with condensation in long runs, vent pipe can be insulated.

3. The horizontal venting system approved with this heater is the Horizontal Stainless Steel Vent Kit mentioned on page 3 .
4. Limit the quantity of 90° elbows to two. When vent pipe is in a horizontal run, it must be pitched upward ¼" per foot (0.635 cm per 0.3m) towards the vent terminal. The heater must be installed level.
5. The horizontal venting system shall not terminate:
 - a) Less than 4 feet (1.2m) below, 4 feet (1.2m) horizontally from, or 1 foot (30cm) above any door, window or gravity air inlet into any building. The bottom of the vent terminal shall be located at least 7 feet (2.1m) above grade or above snow accumulation levels as determined by local codes.
 - b) Less than 1 foot (0.3m) from a combustion air inlet.
 - c) Less than 3 feet (0.9m) from any other building opening or any gas service regulator.
 - d) Directly over areas where condensate or vapor could create a nuisance or hazard or be harmful to the operation of gas utility meters, regulators, relief valves, or other equipment. Building materials should be protected from flue gases and condensate.
6. In regions of the country where prevailing winds are consistently higher than 40 mph (64.4 kmh), it may be necessary to terminate the vent system above the roof level.



Venting/Ducting

For Commercial and Industrial Installations Only

General Requirements

Use aluminum or teflon tape suitable for 550°F (3M Company tapes #433 or #363) or RTV silicone sealant.

Heater must be vented in accordance with specification ANSI Z223.1 - latest revision. Partial information relating to this specification is provided in this section with regard to size and configurations for venting arrangements. For complete information consult ANSI Z223.1 - latest revision and applicable local codes. Use the following guidelines to help insure an adequate, safe venting arrangement.

- a) Be sure that method selected for venting heater complied with all codes are required for each particular location.
- b) Exhaust end of heater will accept a four (4") inch [10.16 cm] flue pipe using the flue pipe adapter.
- c) Heater may be vented to the outdoors either vertically or horizontally, provided that it follow category guidelines.
- d) If the heater is to be vented horizontally:
 1. Vent must exit building not less than seven (7') [2.13 m] feet above grade when located adjacent to public walkways.
 2. Vent must terminate at least one (1') foot [0.3m] above any forced air inlet located within ten feet (10') [3 m].
 3. Vent must terminate at least four (4') feet [1.22 m] below, four (4') feet [1.22 m] horizontally from, or one (1') foot [0.3m] above any door, window, or gravity inlet into any building.
 4. Vent terminal shall be located at least twelve (12") inches [0.3m] from any opening through which vent gases could enter the building.
- e) Vent terminal opening must be beyond any combustible overhang.
- f) If condensation in the flue is a problem, the flue length should be shortened or insulated.
- g) For vent specifications all of the following conditions must be met:

The maximum equivalent length of vent pipe should be carefully observed. A safety switch in the heater is designed to shut the heater off before excessive flue restriction causes bad combustion.

Minimum Equivalent Length = 3 feet (0.9144 m) of Pipe
 Maximum Equivalent Length = 25 feet (7.62 m) of Pipe

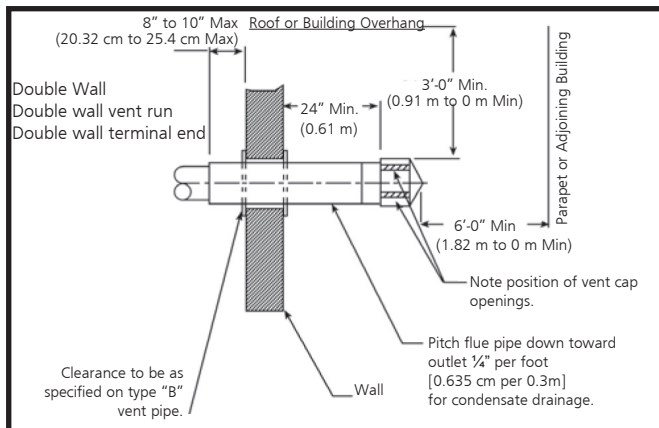
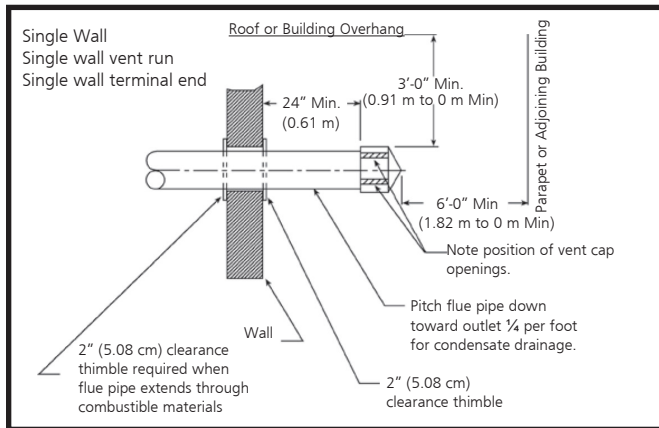
Limit the quantity of 90° elbows to two. When vent pipe is in a horizontal run, it must rise not less than ¼ inch per foot from the start of the vent system towards the vent terminal.

Alternative Arrangements / Optional Equipment for Venting

Horizontal Venting

This heater, when horizontally vented, must be installed with the approved venting system. For horizontal vent installations the GSP45 tube heater is certified as a category III appliance.

- In combustible or noncombustible walls, use vent kits on page 3. Follow vent manufacturer's instructions for proper installation.
- Four (4") inch [10.16 cm] O.D. flue pipe is required. Twenty five (25') feet [7.62 m] maximum length is recommended.
- All flue joints should be sealed using suitable product such as General Electric RTV 106 or Permatex Form-A-Gasket Red High Temperature Silicone Adhesive Sealant.
- Vent terminal should be installed at a height sufficient to prevent blockage by snow.
- Building materials should be protected from degradation by flue gases.

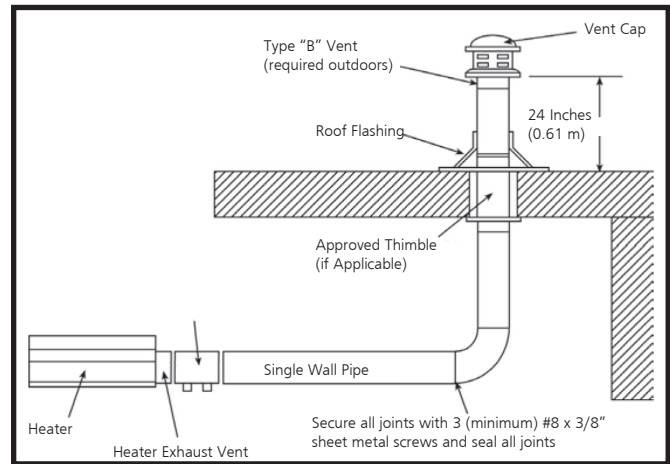


Vertical Venting

This heater, when vertically vented, must be installed with the approved venting system. For vertical vent installations the GSP45 tube heater is certified as a category I appliance.

- Four (4") inch [(10.16 cm)] O.D. flue pipe, maximum twenty five (25') [7.62 M] feet in length may be used as shown with approved vent cap.
- An insulated thimble may be required to pass through combustible structures (check local codes)

- All flue joints should be sealed using suitable products (see recommendation for horizontal venting).



Air For Combustion

If indoor combustion air is to be supplied for a tightly enclosed area, one square inch of free area opening shall be provided below the heater for each 1,000 BTU/hr of heater input (6.45 square cm per 0.293 kW).

When outside air is used, the opening below the heater shall be one square inch of free area for each 4,000 BTU/hr of heater input (6.45 square cm per 1.172kW). In contaminated atmospheres or high humidity areas, optional outside air for combustion is recommended.

Adequate clearances around the perforated fresh air plate must be maintained at all times. In larger open areas of buildings, infiltration normally is adequate to provide air for combustion.

Direct Outside Air For Combustion

Outside combustion air should be supplied directly to the heater when the building is subject to negative pressure or contaminants are present in the building air. These contaminants include paints, solvents, corrosive vapors or any other foreign particles that may cause damage to the heater or result in poor combustion.

Outside combustion air can be brought directly to the heater by a 3 inch (7.62 cm) diameter duct less than 25 feet (7.62 m) long or equivalent. This is attached to a 3 inch (7.62 cm) starting collar that is fitted on inlet side of the control cabinet. An approved vent cap must be placed directly to the end of the outside combustion air inlet pipe. The combustion air inlet should be a minimum of 1 foot (0.3 m), either vertically or horizontally from the flue vent termination. The air intake terminal must be located not less than one foot (0.3 m) above grade. It is good installation practice to supply combustion air from the same pressure zone as the vent outlet.

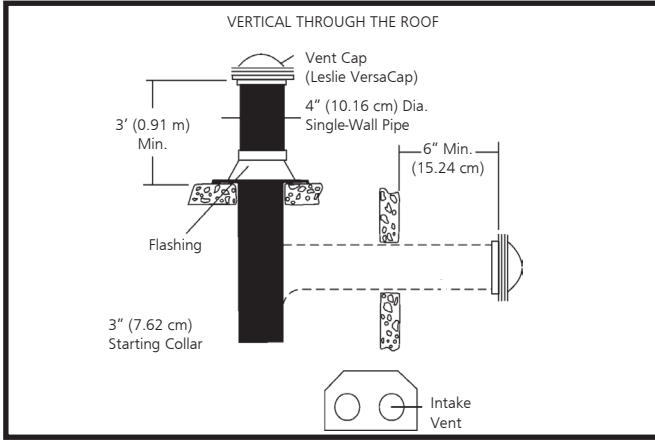
In colder climates, where necessary, insulate the fresh air duct. Avoid location the fresh air duct directly above the control box. Provide a capped clean out T as necessary.

The GSP tube heater is approved for installation with an outside air supply system. Some compounds such as halogenated hydrocarbons or other corrosive chemicals

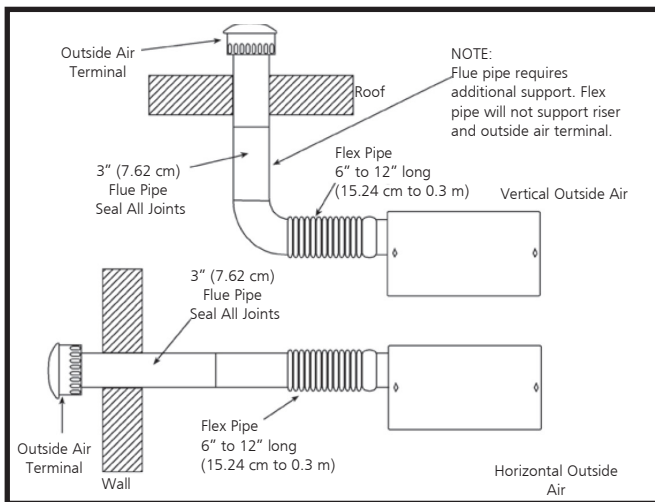
in the air can be drawn into the equipment and cause an accelerated rate of corrosion of some of the heater components. The use of such chemical compounds near the enclosure should be avoided.

IMPORTANT: If the building has a slight negative pressure or contaminants are present in the air, an outside combustion air supply to the heater is strongly recommended.

For an outside air supply a three (3") inch (7.62 cm) O.D. single wall pipe may be attached to the heater. The duct may be up to twenty five (25') feet (7.62 m) maximum length or three (3') feet (0.91 m) minimum length with no more than two (2) elbows.



The air supply duct may have to be insulated to prevent condensation on the outer surface. The outside air terminal should be securely fastened to the outside wall by drilling four (4) holes in the outside flange; wood screws or bolts and expansion sleeves may be used to fasten terminal.



**Electrical Service Installation:
System Requirements**

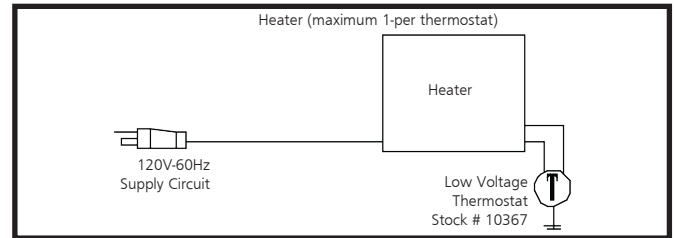
The GSP tube heater requires a grounded three-prong electrical outlet to be installed within 36" (0.91 m) of the rear surface of the heater's burner box. It is recommended that the outlet for the heater be ceiling-mounted and should be on a dedicated circuit. **DO NOT** use an electrical extension cord to operate the heater.

In order to control the heater thermostatically, it is necessary the grounded three-prong electrical outlet be controlled with a on/off switch or a line voltage thermostat. Please consult with an electrician or follow all local electrical codes.

Heater Rating: 120VAC, 60Hz, Single Phase, 1 Amp

Low Voltage Thermostat Wiring Diagram

Heaters are normally controlled by thermostat. The recommended 24V thermostat connects to the unit as shown in the diagram below.



Grounding

The heater must be electrically grounded in accordance with the following codes: United States: Refer to National Electrical Code, ANSI/NFPA-70-latest revision. Wiring must conform to the most current National Electrical Code and local ordinances. Canada: Refer to Canadian Electrical Code, CSA C22.1 Part 1-latest revision.

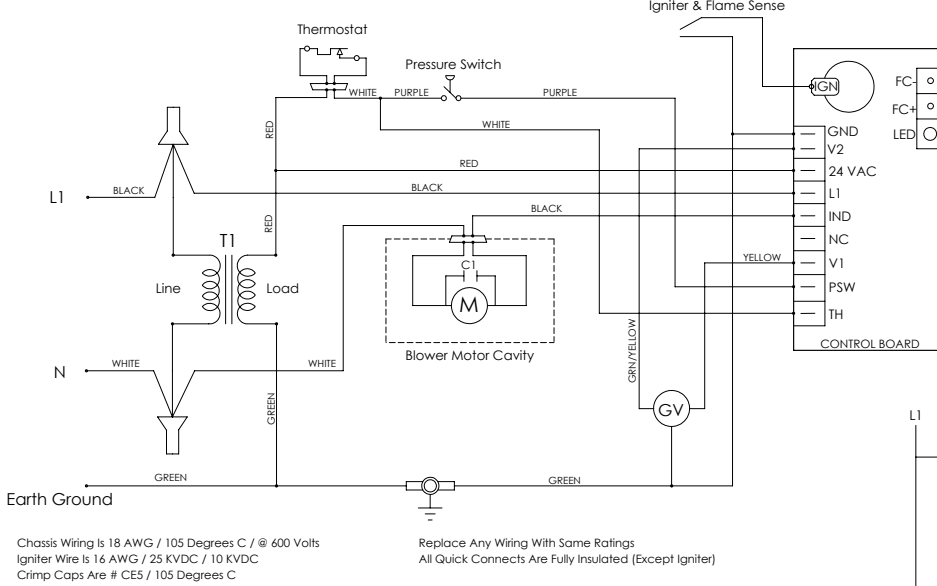
The appliance, when installed, must be electrically grounded in accordance with local code, or in the absence of local codes, with the National Electrical Code (ANSI/NFPA 70) or Canadian Electrical Code (CSA 22.1), if an external electrical source is utilized.

⚠️ WARNING Electrical Shock Hazard:
 Plug heater into grounded three prong ceiling receptacle. Do not cut or remove the grounding prong from this plug. Do not use with an extension cord. Failure to follow these instructions will result in death or electrical shock.

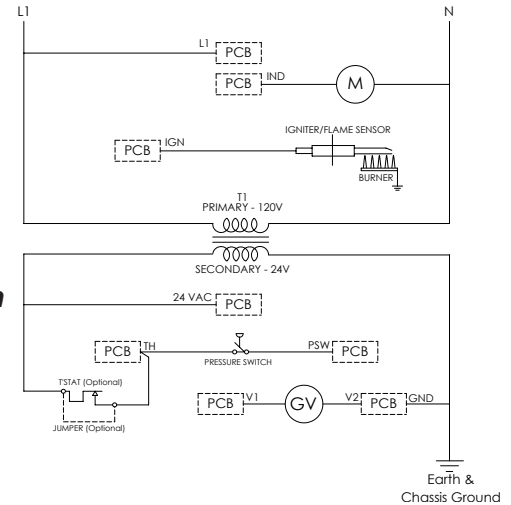
CAUTION: Label all wires prior to disconnection when servicing controls. Wiring errors can cause improper and dangerous operation. Verify proper operation after servicing.

⚠️ ATTENTION ⚠️	⚠️ WARNING ⚠️
<p>L'Instruction Mettre A Electrique Cet appareil de chauffage est equipe ave une trios (mettre a terre) le bouchon pour votre protection contre le danger da choc et devrait etre directement plugged dans un convenablement a mis a terre receptacle de trios broche. N' pas couper ou enlever la broche mettre a terre de ce bouchon.</p>	<p>Electrical Grounding Instructions This heater is equipped with a three-prong (grounded) plug for your protection against shock hazard and should be plugged directly into a properly grounded three-prong receptacle. Do not cut or remove the grounding prong from this plug.</p>

WIRING DIAGRAM



Above: Connection Diagram
Right: Ladder Diagram



Gas Service Installation

Install Gas Supply Lines

A 1/2" (1.27 cm) gas supply connection is required as shown below. To check system pressure, a plugged 1/8" NPT tapping is required upstream of the manual gas shut-off valve supplied with the heater.

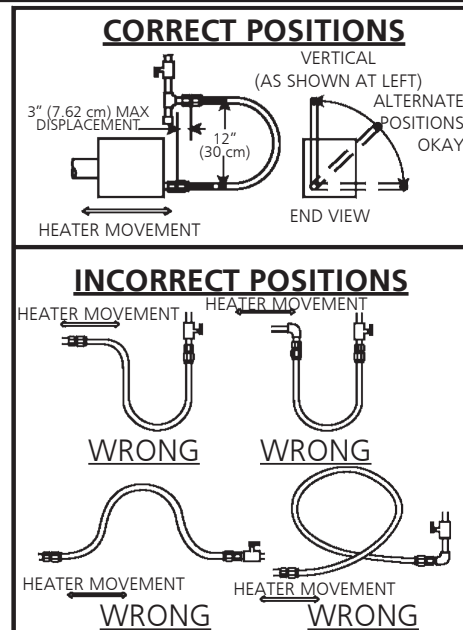
Before connecting the heater to the supply system, verify that all high pressure testing of the gas piping has been completed.

DO NOT HIGH PRESSURE TEST THE GAS PIPING WITH THE BURNER CONNECTED.

Follow these instructions to ensure a safe gas supply system installation:

1. Support all gas piping with suitable pipe hanging materials.
2. Use wrought iron or wrought steel pipe and malleable iron fittings. The use of copper tube and brass fittings is acceptable when such use is in compliance with local codes. All pipe, tube, and fittings should be new and free from defects. Carefully ream the pipe and tube ends to remove obstructions and burrs.
3. Use LP-resistant joint compound on all threads.
4. Check the pipe and tube connections for leaks before placing heating equipment into service. When checking for gas leaks, use a soap and water solution; never use an open flame.
5. The connector must be certified for use on a radiant heater per "Standard for Connectors for Gas Appliances, ANSI Z21.24 / CSA 6.10"

NOTE: A plugged 1/8" NPT tapping must be provided upstream of the gas supply to the heater. The gas supply line connecting to the heater appliance should be such that it allows for some movement of the unit. The appliance will go through expansion and contraction during a heating cycle.



OPERATION

Operation of the Heater

CHILDREN AND ADULTS SHOULD BE ALERTED TO THE HAZARDS OF HIGH SURFACE TEMPERATURES AND SHOULD STAY AWAY TO AVOID BURNS OR CLOTHING IGNITION.

YOUNG CHILDREN SHOULD BE CAREFULLY SUPERVISED WHEN THEY ARE IN THE SAME SPACE AS THE HEATER.

CLOTHING OR OTHER FLAMMABLE MATERIALS SHOULD NOT BE HUNG FROM THE HEATER, OR PLACED ON OR NEAR THE HEATER.

ANY GUARD OR OTHER PROTECTIVE DEVICE REMOVED FOR SERVICING THE HEATER MUST BE REPLACED PRIOR TO OPERATING THE HEATER.

INSTALLATION AND REPAIR SHOULD BE DONE BY A QUALIFIED SERVICE PERSON. THE HEATERS SHOULD BE INSPECTED BEFORE USE AT LEAST ANNUALLY BY A QUALIFIED SERVICE PERSON. MORE FREQUENT CLEANING MAY BE REQUIRED AS NECESSARY. IT IS IMPERATIVE THAT THE CONTROL COMPARTMENT, AIR PASSAGEWAYS AND BURNER(S) OF THE HEATER ARE KEPT CLEAN.

1. Turn the thermostat up. When the thermostat calls for heat, the blower motor will energize.
2. When the motor approaches nominal running speed, the air proving switch closes and activates the ignition module which in turn initiates the 15 second long purge.
3. The ignition module then energizes the spark igniter.
4. When sparking begins, the gas valve is energized.
5. If a flame is detected, the gas valve remains open. When the call for heat is satisfied, and the system control mechanism de-energizes, the burner line voltage supply and the gas valve are turned off.
6. If no flame is detected, the gas valve is closed, and a purge period begins. After the purge period, the ignition module energizes the spark igniter and the gas valve. If a flame is still not established, a third and final purge/ignition sequence is begun. After three failed attempts, the system control mechanism will lock out for a period of one hour, or until the unit is reset. Reset is accomplished by removing power from the heater for at least five seconds.
7. Periodically visually check of burner flame while unit is in operation through sight glass in the side of unit.

MAINTENANCE

Pre-Season Maintenance

Heater area to be kept clear and free from combustible materials, gasoline, and other flammable vapors and liquids.

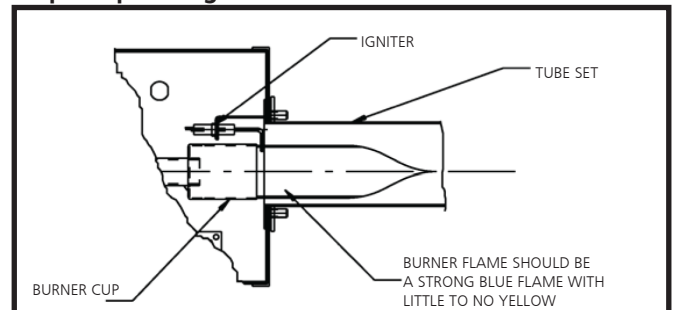
Do not use this appliance if any part has been under water. Immediately call a qualified service technician to inspect the appliance and replace any part of the control system and any gas control which has been under water.

(CAUTION) Label all wires prior to disconnection when servicing controls. Wiring errors can cause improper and dangerous operation.

For best performance, the following maintenance procedures should be performed by a qualified service agency before each heating season:

1. A qualified service agency should be contacted for service other than routine maintenance.
2. Check condition of blower scroll and motor. Dirt and dust may be blown out with compressed air, or a vacuum cleaner may be used.
3. Check the condition of the burner. Carefully remove any dust or debris from inside burner.
4. Inspect the igniter. Replace igniter if there is excessive carbon residue, erosion of electrodes or other defects.
5. Check to see that the burner observation window is clean and free of cracks or holes. Clean or replace as required.
6. Check the flue pipe for soot, dirt, or obstructions. The flow of combustion and ventilation air should not be obstructed. After cleaning as necessary, re-attach the flue pipe to the heater.
7. Outside surfaces of heater reflector may be cleaned by wiping with a damp cloth.
8. Check vent terminal and outside air inlet to see that they have not become blocked during the non-heating season. If either pipe is restricted, the air switch won't close, resulting in a non-heat situation.
9. Verify proper operation after service.

Proper Operating Flame



TROUBLESHOOTING

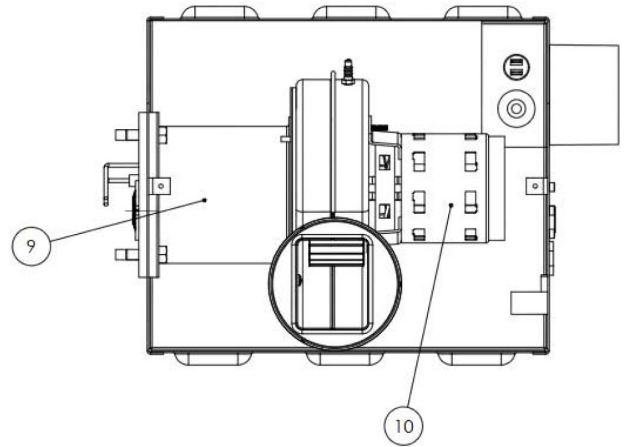
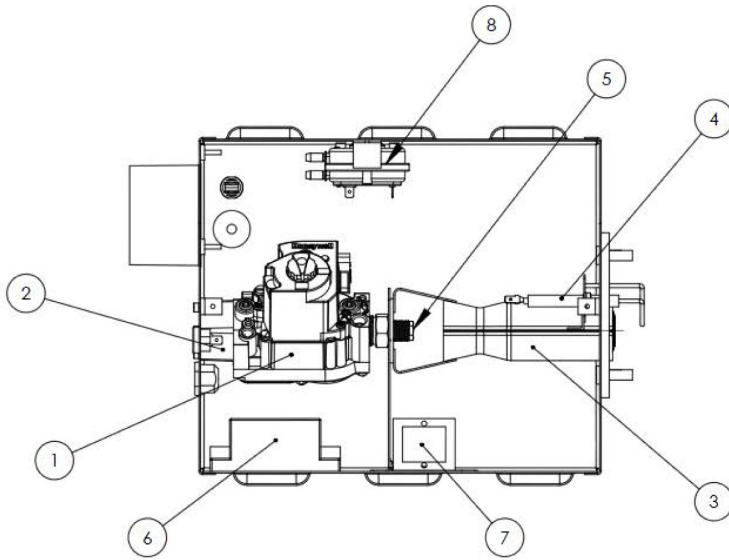
This troubleshooting guide has been designed to assist you in locating and correcting minor problems that may occur with the GSP tube heater.

BLOWER DOES NOT COME ON	
Possible Cause	Try This...
Power cord is not plugged in	Plug power cord into a grounded three prong Outlet.
Thermostat setting is too low	Increase thermostat temperature setting
DSI module needs to be reset	Unplug heater power cord from the electrical Outlet: wait for a minimum of five seconds. Plug heater cord back into outlet.
No power at electrical outlet	Replace fuse or reset circuit breaker
Faulty blower motor	Replace blower motor
IGNITER DOES NOT SPARK	
Possible Cause	Try This...
DSI module needs to be reset	Unplug heater power cord from the electrical outlet: wait for a minimum of five seconds. Plug heater cord back into outlet
Faulty igniter or ignition wire	Unplug heater power cord from the electrical outlet; check igniter and ignition wire for damage. If damaged, replace igniter and/or ignition cable.
Air switch does not operate	Check flue/air supply duct for obstructions; remove obstructions as required. Check for loose/leaky air hoses to the air switch; repair/replace/tighten hoses as required. Check for 24V across the secondary terminals of the transformer. IF NO: Check for 120V across the primary terminals 1 and 3 (black and white wires) of the transformer. If 120V is present, replace transformer. If 120 is not present, check wiring between power cord, blower motor and transformer. IF YES: Connect a jumper wire across air switch terminals; if jumper wire allows blower to operate, replace pressure switch (see replacement parts list for part number that applies to your unit rating).
Igniter spark gap incorrect	Reset spark gap to 1/8" (0.125 inches, 0.3175 cm).
BURNER DOES NOT LIGHT	
Possible Cause	Try This...
Air in the gas line	Purge gas lines
Improper gas inlet pressure	Check gas inlet pressure at the 1/8" NPT plugged tap. Gas inlet pressure should be as follows: Natural GAS: 5.0" w.c. (1.25 kPa) min; 11.0" W.C. (2.74 kPa) max LP Gas: 11" w.c. (2.74 kPa) min; 13.0" (3.24 kPa) max If gas inlet pressure does not meet inlet pressure requirements contact the gas company.
Gas valve does not open	Check for 24V across valve terminals. Check shutoff on valve IF NO: check wiring between the ignition module and the valve. Repair/replace wires as required. If wiring is OK, replace ignition module. IF YES: Replace gas valve.
Low gas outlet pressure	Check gas manifold pressure. Measure manifold pressure at the pressure tap on the gas valve. Check gas manifold pressure. Measure manifold pressure at the pressure tap on the gas valve. Natural Gas: 4.0" w.c. LP Gas 10.0" w.c. If manifold pressure does not meet requirements, adjust valve outlet pressure with the adjustment screw on the valve. NOTE: Proper inlet gas pressure must be verified before performing outlet pressure testing.
BURNER DOES NOT STAY LIT	
Possible Cause	Try This...
Damaged wires between DSI module and electrode	Replace wires as required
Faulty DSI module	Replace DSI module
Damaged Electrode	Replace Electrode

ILLUSTRATED PARTS

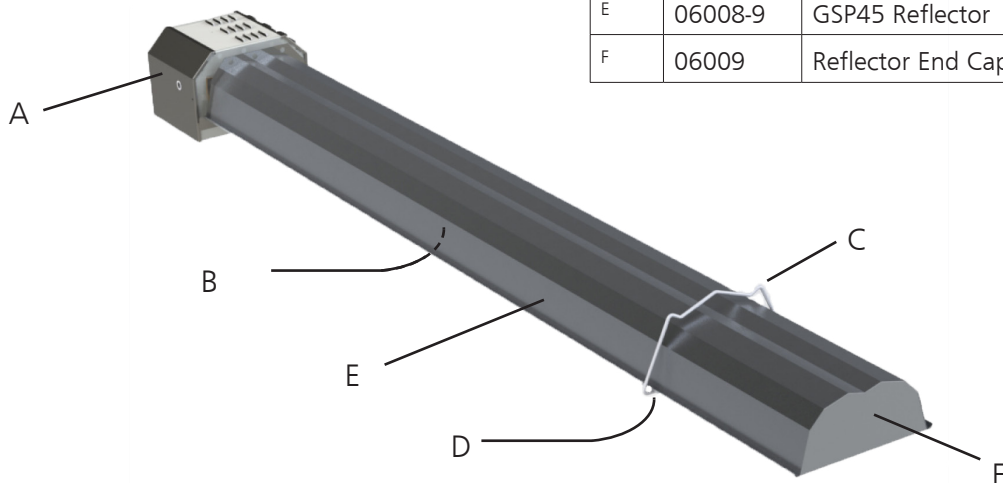
This section provides the part numbers and pictorials for components of the GSP tube heater. Callout letters on the illustrations are keyed to the associated parts list.

ALL WARRANTY CLAIMS REQUIRE PROOF OF PURCHASE



#	P/N	PART DESCRIPTION	QTY
1	60128	NG GAS VALVE	1
	60129	LP GAS VALVE	
2	03808	GAS VALVE EXTENSION FLANGE	1
3	02590	VENTURI BURNER	1
4	60729	SPARK IGNITER	1
5	05795	NG ORIFICE	1
	05747	LP ORIFICE	
6	02970	IGNITION MODULE	1
7	08364A	TRANSFORMER	1
8	02822	PRESSURE SWITCH	1
9	02575	MOTOR ADAPTER	1
10	02579	BLOWER MOTOR	1

REF	ITEM	DESCRIPTION
A	02591	GSP45NG (burner Box for (F208850)
	02592	GSP45LP (burner Box for (F208851)
B	02598	GSP45 tube set
C	06014	Hanger
D	06016	Hanger Clamp
E	06008-9	GSP45 Reflector
F	06009	Reflector End Cap





OPERATING INSTRUCTIONS AND OWNER'S MANUAL

MODEL#
MH45GSP



WARNING:

USE ONLY MANUFACTURER'S REPLACEMENT PARTS. USE OF ANY OTHER PARTS COULD CAUSE INJURY OR DEATH. REPLACEMENT PARTS ARE ONLY AVAILABLE DIRECT FROM THE FACTORY AND MUST BE INSTALLED BY A QUALIFIED SERVICE AGENCY.

REPLACEMENT PARTS ORDERING INFORMATION:

PURCHASING: Accessories may be purchased at any HEATSTAR by Enerco local dealer or direct from the factory

FOR INFORMATION REGARDING SERVICE

Please call Toll-Free 866-447-2194

WWW.HEATSTARBYENERCO.COM

Our office hours are 8:00 AM – 5:00 PM, EST, Monday through Friday.

Please include the model number, date of purchase, and description of problem in all communication.

LIMITED WARRANTY

The company warrants this product to be free from imperfections in material or workmanship, under normal and proper use in accordance with instructions of The Company. Limited 3-Year Warranty on Parts & Burner. Limited 10-Year Warranty on Tube. The Company, at its option, will repair or replace products returned by the buyer to the factory, transportation prepaid within said one year period and found by the Company to have imperfections in material or workmanship.

If a part is damaged or missing, call our Technical Support Department at 866-447-2194.

Address any Warranty Claims to the Service Department, Enerco Group, Inc., 4560 W. 160TH ST., Cleveland, Ohio 44135. Include your name, address, telephone number, serial number off heater and include details concerning the claim. Also, supply us with the purchase date and the name and address of the dealer from whom you purchased our product.

The foregoing is the full extent of the responsibility of the Company. There are no other warranties, express or implied. Specifically there is no warranty of fitness for a particular purpose and there is no warranty of merchantability. In no event shall the Company be liable for delay caused by imperfections, for consequential damages, or for any charges of the expense of any nature incurred without its written consent. The cost of repair or replacement shall be the exclusive remedy for any breach of warranty. There is no warranty against infringement of the like and no implied warranty arising from course of dealing or usage of trade. This warranty will not apply to any product which has been repaired or altered outside of the factory in any respect which in our judgment affects its condition or operation.

Some states do not allow the exclusion or limitation of incidental or consequential damages, so the above limitation or exclusion may not apply to you. This Warranty gives you specific legal rights, and you may have other rights which vary from state to state.

Enerco Group, Inc. reserves the right to make changes at any time, without notice or obligation, in colors, specifications, accessories, materials and models.



ANSI Z83.20-2016
CSA 2.34-2016

ENERCO Technical Products, Inc., 4560 W. 160TH ST., CLEVELAND, OHIO 44135 • 866-447-2194
HEATSTAR is a registered trademarks of ENERCO Technical Products, Inc.
© 2017, ENERCO Technical Products. All rights reserved

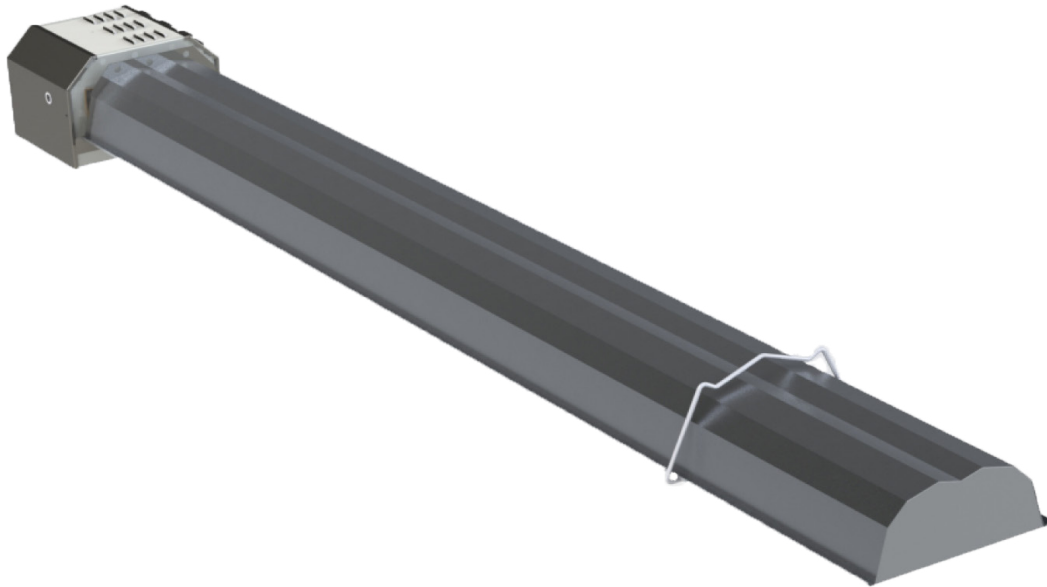
Instalador: Deje este manual con el aparato. Consumidor: Conserve este manual para futuras consultas.



INSTRUCCIONES DE USO Y MANUAL DEL USUARIO

MODELO N.
GSP45

LEA CUIDADOSAMENTE LAS INSTRUCCIONES: Lea y siga todas las instrucciones. Conserve estas instrucciones en un lugar seguro para futura referencia. No permita que nadie que no haya leído estas instrucciones arme, encienda, ajuste o use el calefactor.



Calentadores de gas, de baja intensidad de infrarrojos
Aprobado para aplicaciones residenciales y comerciales

IDIOMAS INCLUIDOS
• INGLÉS
• FRANÇES
• ESPAÑOL

ADVERTENCIA: La instalación, el ajuste, la alteración, el servicio o mantenimiento inadecuados puede provocar lesiones o daños a la propiedad. Consulte este manual. Para obtener asistencia o información adicional, consulte con un instalador, una agencia de servicios o el proveedor de gas calificados.

— QUE HACER SI DETECTA OLOR A GAS

- Abra las ventanas
- **NO** intente encender ningún artefacto.
- **NO** utilice interruptores eléctricos.
- **NO** utilice ningún teléfono en la casa. Llame inmediatamente al proveedor de gas local desde el teléfono de un vecino. Siga las instrucciones del proveedor de gas.
- **No** toque ningún interruptor eléctrico; no utilice el teléfono en su vivienda.
- La instalación y el servicio deben ser realizados por un instalador, una agencia de servicios, o un proveedor de gas calificados.
- Si no puede comunicarse con el proveedor de gas, llame al Departamento de bomberos.

PARA SU SEGURIDAD:

No almacene ni utilice gasolina ni ningún otro vapor ni líquido inflamable cerca de este ni de ningún otro artefacto.

ADVERTENCIA: Si no se siguen al pie de la letra las instrucciones de este manual, podría producirse un incendio o una explosión que provocaría daños materiales, lesiones o muertes.

ADVERTENCIA:

⚠ SU SEGURIDAD ES IMPORTANTE PARA USTED Y PARA LOS DEMÁS. POR ELLO, LEA ESTAS INSTRUCCIONES ANTES DE UTILIZAR EL CALENTADOR.

ADVERTENCIA GENERAL DE PELIGRO:

- ⚠ EL NO CUMPLIR CON LAS PRECAUCIONES E INSTRUCCIONES QUE VIENEN CON ESTE CALENTADOR PUEDE CAUSAR LA MUERTE, LESIONES GRAVES Y PÉRDIDAS Y DAÑOS MATERIALES DERIVADOS DEL PELIGRO DE INCENDIO, EXPLOSIÓN, QUEMADURAS, ASFIXIA, ENVENENAMIENTO CON MONÓXIDO DE CARBONO Y/O DESCARGAS ELÉCTRICAS.
- ⚠ SOLO LAS PERSONAS QUE ENTIENDAN Y PUEDAN SEGUIR LAS INSTRUCCIONES DEBEN USAR O MANTENER ESTE CALENTADOR.
- ⚠ SI NECESITA AYUDA O INFORMACIÓN ACERCA DEL CALENTADOR, COMO MANUALES DE INSTRUCCIONES, ETIQUETAS, ETC., PÓNGASE EN CONTACTO CON EL FABRICANTE.

ADVERTENCIA:

⚠ PELIGRO DE INCENDIO, QUEMADURAS, INHALACIÓN Y EXPLOSIÓN. MANTENGA LOS COMBUSTIBLES SÓLIDOS, TALES COMO MATERIALES DE CONSTRUCCIÓN, PAPEL O CARTÓN, A UNA DISTANCIA SEGURA DEL CALEFACTOR. COMO SE RECOMIENDA EN LAS INSTRUCCIONES, NUNCA USE EL CALEFACTOR EN ESPACIOS QUE CONTENGAN O PODRÍAN CONTENER COMBUSTIBLES VOLÁTILES O GASEOSOS, NI PRODUCTOS COMO GASOLINA, SOLVENTES, DILUYENTES DE PINTURA, PARTÍCULAS DE POLVO O PRODUCTOS QUÍMICOS DESCONOCIDOS.

⚠ ADVERTENCIA:

UNA DE LAS SUSTANCIAS QUE SE DESPRENDE EN LA COMBUSTIÓN AL USAR ESTE EQUIPO ES EL MONÓXIDO DE CARBONO, UN COMPUESTO QUÍMICO QUE DE ACUERDO CON EL ESTADO DE CALIFORNIA PRODUCE CÁNCER Y DEFECTOS DE NACIMIENTO (U OTROS DAÑOS REPRODUCTIVOS).

CONTENIDOS

ADVERTENCIAS DE PELIGRO.....	2
INTRODUCCIÓN	3
PLANIFICACIÓN.....	6
INSTALACIÓN.....	8
VENTILACIÓN	11
FUNCIONAMIENTO	17
MANTENIMIENTO	17
RESOLUCIÓN DE PROBLEMAS	18
ILUSTRACIÓN DE PIEZAS.....	19
GARANTIA	20

INFORMACION DE CONTACTO

Conserve este manual para referencia futura. Para preguntas, problemas, falta de partes antes de volver al minorista por favor llame con el número de modelo y número de serie de calentador:
866-447-2194

MONDAY-FRIDAY 8-5 EASTERN TIME
OR E-MAIL USING THE HEATSTAR WEBSITE:
WWW.HEATSTARBYENERCO.COM

Con el fin de brindar el mejor servicio posible, HEATSTAR ahora le brinda mas formas de comunicarse con nosotros. Encuentre videos informativos en:

 YouTube: youtube.com/heatstarTV

La linea completa de productos de HEATSTAR ahora esta en:

WWW.HEATSTARBYENERCO.COM

ANTES DE COMENZAR

Lea atentamente este manual antes de instalar o hacerle el mantenimiento a este equipo. La instalación, el servicio o mantenimiento inadecuados pueden causar muertes, lesiones o daños materiales. Verifique las distancias seguras mínimas requeridas desde los combustibles que aparecen en la parte externa de cada quemador para asegurarse de que el producto esté apto para su aplicación. Las distancias seguras mínimas requeridas desde los combustibles también se encuentran en la página 9 de este manual. El instalador debe ser un contratista del representante con licencia. Una vez que la instalación se haya completado, verifique el funcionamiento del producto tal como se muestra en estas instrucciones.

DESEMPACADO DEL CALENTADOR

REQUISITOS DE MANO DE OBRA

Para evitar lesiones personales y daños en el calentador, se requieren dos personas para sacar el calentador de la caja. Ambos extremos del calentador se deben levantar de la caja al mismo tiempo. La caja del quemador se debe levantar sosteniendo la parte inferior de la caja. El extremo reflector del calentador se debe levantar con el gancho posterior móvil.

SEGURIDAD

Las piezas de chapa metálica delgada, como el reflector del calentador y los distintos componentes de ventilación, tienen bordes filosos. Para evitar lesiones, se recomienda utilizar guantes de trabajo. El uso de guantes también evita la transferencia de aceites corporales de las manos a la superficie del reflector.

INTRODUCCION

Acerca del calentador

El GSP 45 es un sistema de calefacción a gas, de baja intensidad ensamblado en la fábrica. El sistema ha sido diseñado para una instalación fácil y brindará años de funcionamiento económico y mantenimiento sin problemas. El calor infrarrojo no solo es eficiente, sino que también proporciona las condiciones más confortables en áreas abiertas, como los talleres. A gas significa que utiliza gas natural o gas LP no contaminante.

De baja intensidad significa que la superficie radiante del tubo intercambiador de calor no quema. Opera a una temperatura más baja (menor a 537,8 °C [1000 °F]) e irradia energía

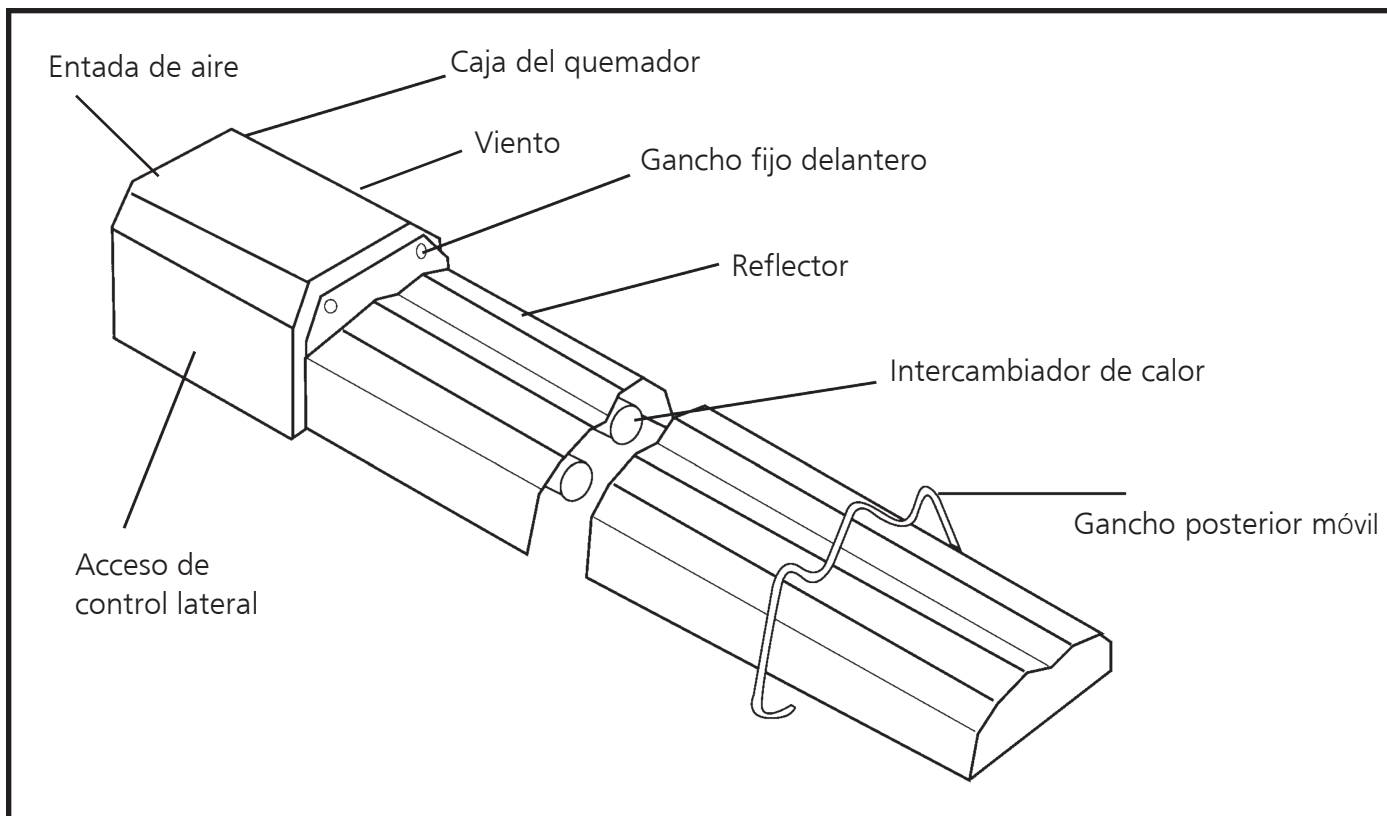
a una intensidad más baja por pie cuadrado de superficie de radiación. Los niveles más bajos de temperatura e intensidad se encuentran dentro de un rango que es más efectivo para establecer y mantener los niveles de comodidad personal. Un reflector de aluminio dirige la energía radiante hacia abajo hacia el área ocupada.

Radiante se refiere a la energía que irradia el calentador de tubo. Debido a que la energía se irradia en forma de rayos infrarrojos, no calienta el aire de manera directa. En su lugar, los rayos calientan los objetos como el piso, los autos, las máquinas y las personas.

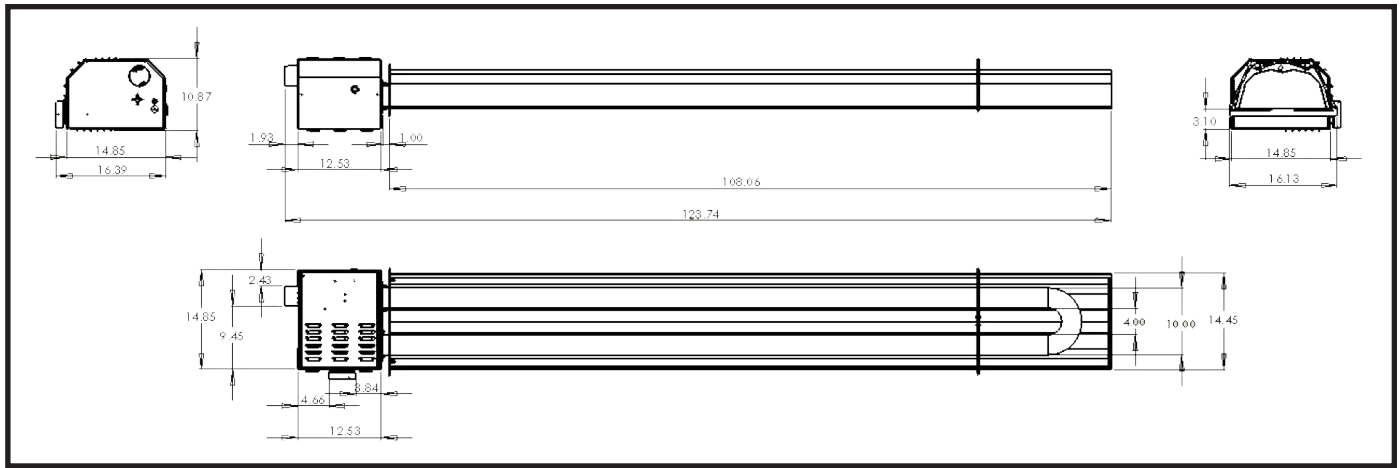
Los objetos tibios, a su vez, calientan el aire. Esta combinación de características es clave para la comodidad excepcional y la eficiencia del combustible que proporciona el calentador de tubo.

Available Accessories

F102848	Kit de ventilación vertical de categoría I
F102860	Kit de ventilación vertical de categoría III
F102859	Kit decorativo del cajón del huevo



Caja del quemador	Contiene los componentes eléctricos (por ejemplo, motor del soplador, transformador, etc.) y los componentes de la distribución de gas (por ejemplo, válvula de gas, etc.) que hacen funcionar el calentador. No contiene elementos a los que el usuario pueda realizarle mantenimiento
Ganch fijo delantero	Proporciona soporte rígido y superficie de montaje para el reflector. Los orificios que están en las esquinas superiores del mamparo son para colocar los accesorios de suspensión necesarios para la instalación del calentador.
Reflector	El reflector está construido con aluminio laminado y refleja la energía radiante hacia abajo hacia el lugar que se desea calentar.
Intercambiador de calor	Tubo en forma de U por donde pasan los productos de la combustión calentados.
Gancho posterior móvil	Proporciona soporte para el intercambiador de calor y el reflector que se encuentran en el extremo más alejado de la caja del quemador. El soporte se puede mover (dentro de ciertos límites) para colgar la unidad.
Acceso de control lateral	Solo un contratista matriculado la puede quitar. La extracción de esta puerta de servicio permite el acceso a los componentes eléctricos y de distribución de gas.
Entrada de aire	Tiene un conducto de entrada de aire de combustión de 7,62 cm (3") que envía aire fresco al quemador.
Viento	Tiene el conducto de ventilación de aire que transporta los productos de la combustión que se deben ventilar hacia el exterior.
Unión de 1,2 cm (1/2") NPT	Punto en el que el suministro de gas se conecta al calentador.
Cable de alimentación	Incluye un enchufe de tres patas que se debe conectar a un tomacorriente de tres patas en el cielorraso exclusivo y correctamente conectado a tierra.



Detalles importantes			
Modelo N.	BTU/hr	Peso	Longitud
GSP45	45,000 (13.2 kW)	91 lbs (41.3 kg)	10' 3" (3.12 m)

ESPECIFICACION DEL CALENTADOR

Electricidad	Voltaje		120 VCA
	Conexión		enchufe moldeado de 3 clavijas
Entrada de gas	Conexión		1,2 cm (1/2") NPT
	Gas natural	Mínima	5,0" W.C. (1.25 kPa)
		Máxima	11,0" W.C. (2.74 kPa)
	Gas LP (propano)	Mínima	11,0" W.C. (2.74 kPa)
Máxima		13,0" W.C. (3.24 kPa)	
Presión en el colector	Gas natural		4,0" W.C. (1 kPa)
	Gas LP (propano)		10,0" W.C. (2,49 kPa)

ESPECIFICACIONES DE VENTILACIÓN

Ventilación/ Respiradero	Longitud	Mínima	,91 metros (3 pies)
	Longitud	Máxima	7,62 metros (25 pies)
	Tubería del respiradero		7,62 cm (3,0")
	Tubería de ventilación		10,16cm (4,0")

¿Dónde se puede instalar el calentador?

El calentador de tubo GSP es apto para ser instalado en las siguientes áreas:

- puertas de entrada
- vestíbulos
- hangares para aviones (vea la Sección 2 para obtener información sobre las restricciones)
- garajes públicos (vea la Sección 2 para obtener información sobre las restricciones)
- invernaderos
- talleres

¿Dónde no se debe instalar el calentador?

El calentador de tubo GSP no es apto para ser instalado en las siguientes áreas:

- Áreas residenciales para vivir o dormir
- Sótanos

Responsabilidades del instalador

El calentador de tubo GSP, así como el suministro de gas y electricidad, y la ventilación del calentador se deben instalar de acuerdo con las especificaciones y los códigos aplicables. Sólo las empresas (o personas) calificadas en este tipo de trabajo deben instalar el sistema. Comuníquese con los inspectores locales del edificio y los jefes de bomberos para obtener más referencia.

Utilice la información de este manual junto con los códigos y las regulaciones citados para llevar a cabo la instalación. El instalador debe proporcionar todos los materiales necesarios que no forman parte del equipo estándar. El instalador también es responsable de revisar que los materiales y los métodos de instalación utilizados tengan como resultado un trabajo que sea eficiente y que cumpla con todos los códigos y requisitos aplicables en este manual. El instalador debe entregarle este manual al usuario.

La distancia indicada a combustibles (página 9) representa una temperatura de superficie de 32 °C (90 °F) por encima de la temperatura ambiente. Es posible que el material de construcción con baja tolerancia al calor (como plásticos, revestimiento vinílico, lonas, tri-ply, etc.) esté sujeto a degradación a temperaturas más bajas. El instalador es responsable de asegurar que los materiales adyacentes estén protegidos de la degradación.

PLANIFICACIÓN

General

Esta sección proporciona la siguiente información:

- Define los requisitos de gas, electricidad y ventilación para el calentador de tubo GSP.
- Especifica los estándares nacionales y los códigos aplicables que se aplican a los requisitos de gas, electricidad y ventilación.
- Especifica los estándares nacionales y los códigos aplicables que se aplican a las instalaciones no residenciales.

Requisitos del servicio de gas

Tipo de gas

El tipo de gas que aparece en la placa debe ser el tipo de gas utilizado. La instalación debe cumplir con los códigos y las recomendaciones locales de la empresa de gas local. Estados Unidos: consulte el Reglamento nacional de combustible gaseoso, ANSI Z223.1; última revisión, (igual a NFPA Boletín 54). Canadá: consulte Can 1-B149.1: Códigos de instalación de artefactos de combustión a gas.

Líneas de suministro de gas

El tamaño de las líneas de suministro de gas deben cumplir con los códigos y las recomendaciones locales de la empresa de gas local. Estados Unidos: consulte el Reglamento nacional de combustible gaseoso, ANSI Z223.1; última revisión, (igual a NFPA Boletín 54). Canadá: consulte Can 1-B149.1: Códigos de instalación de artefactos de combustión a gas. Se debe instalar una tapa de cierre de 0,12 cm (1/8") NPT en la conexión de la línea de gas exactamente arriba del calentador que está más alejado del medidor del suministro de gas. La tapa es necesaria para verificar la presión de gas del sistema.

Medidor y servicio

El medidor y el servicio deben ser lo suficientemente grandes para usar todos los calentadores que se instalen y cualquier otra carga conectada. La línea de gas que alimenta el sistema debe ser lo suficientemente grande para suministrar el gas con una presión máxima de 1,2 cm (1/2") w.c. Cuando la tubería de gas no está incluida en el dibujo de distribución, en general, el proveedor de gas local ayuda a planificar la tubería de gas.

Requisitos del sistema eléctrico:

Requisitos del sistema

El calentador de tubo GSP requiere que se instale un tomacorriente eléctrico de tres patas conectado a tierra dentro de los 45,72 cm. (18 pulgadas) de la superficie posterior de la caja del quemador del calentador. Se recomienda que el tomacorriente para el calentador esté montado en el cielorraso y en un circuito exclusivo. NO utilice un cable de extensión eléctrico para usar el calentador.

Especificación del calentador: 120VCA, 60Hz, Fase Phase, 1 Amp

⚠ADVERTENCIA:

Peligro de descarga eléctrica

Enchufe el calentador en un tomacorriente de tres patas conectado a tierra en el cielorraso.

No corte ni quite la pata de conexión a tierra de este enchufe. No lo utilice con un cable de extensión.

El no seguir estas instrucciones producirá la muerte o una descarga eléctrica.

Conexión a tierra:

El calentador debe estar conectado a tierra eléctricamente de acuerdo con los siguientes códigos: Estados Unidos: consulte el Código Eléctrico Nacional ANSI/NFPA-70 – última revisión. El cableado debe cumplir con el Código Eléctrico Nacional y las ordenanzas locales. Canadá: consulte el Código Eléctrico Canadiense, CSA C22.1 Primera parte, última revisión.

Requisitos de ventilación:

Requisitos del sistema

El calentador de tubo GSP se debe instalar con ventilación o con uno de los juegos de ventilación opcionales disponible de Enerco. NO conecte este calentador a una chimenea separada. Los artefactos a gas no se deben conectar al respiradero de una chimenea que sirve a otro artefacto de combustión de combustible sólido. NO ventile de manera común con ningún otro artefacto de combustión de combustible.

Ventilación/ Respiradero	Longitud	Mínima	,91 metros (3 pies)
	Longitud	Máxima	7,62 metros (25 pies)

⚠️ ADVERTENCIA:

Peligro con monóxido de carbono
El calentador se debe apagar en el exterior.
Utilice los materiales suministrados.
El no seguir estas instrucciones producirá muertes o lesiones.

Códigos de ventilación

La ubicación, el tamaño, la instalación y la terminación de las ventilaciones, como las distancias seguras mínimas requeridas cuando se penetran paredes combustibles, deben cumplir con los códigos y las recomendaciones locales de la empresa de gas local. Estados Unidos: consulte el Reglamento nacional de combustible gaseoso, ANSI Z223.1; última revisión, (igual a NFPA Boletín 54). Canadá: consulte Can 1-B149.1: Códigos de instalación de artefactos de combustión a gas.

Instalaciones no residenciales:

Hangares para aviones

El calentador de tubo GSP se puede utilizar en algunas áreas de los hangares para aviones. La instalación en hangares para aviones se debe realizar de acuerdo con los siguientes códigos: Estados Unidos: consulte las Normas para hangares para aviones, ANSI/NFPA-409, última revisión. Canadá: consulte la Norma CGA B149-1M91.

Los calentadores en las áreas de almacenamiento o servicio de aviones se deben instalar a 3 metros (10 pies) como mínimo por encima de la superficie superior de las alas o del recinto del motor del avión más alto que se pueda albergar en el hangar. (Esto se debe medir desde la parte inferior del calentador hasta la parte superior del ala, o del recinto del motor, lo que esté más alto del piso).

En otras partes de los hangares para aviones, como los negocios u oficinas, los calentadores se deben instalar a 2,4 metros (8 pies) como mínimo por encima del piso.

Los calentadores instalados en los hangares para aviones se deben ubicar de manera que los aviones, las grúas, los andamios móviles u otros objetos no los dañen.

Cuando se instalan sobre aparejos, las distancias seguras mínimas requeridas a combustibles se deben mantener desde el punto más alto de los materiales combustibles ubicados en el aparejo.

Garajes públicos

El calentador de tubo GSP se puede utilizar en garajes públicos. La instalación en hangares para aviones se debe realizar de acuerdo con los siguientes códigos: Estados Unidos: Normas para estructuras de estacionamiento, NFPA-88A, última revisión, o normas para la reparación de garajes, NFPA-88B, última revisión. Canadá: consulte Can 1-B149.1: Códigos de instalación de artefactos de combustión a gas.

Los calentadores se deben instalar a 2,4 metros (ocho pies) como mínimo por encima del piso. Las distancias seguras mínimas requeridas a combustibles se deben mantener desde los vehículos estacionados debajo del calentador.

Cuando se instalan sobre aparejos, las distancias seguras mínimas requeridas a combustibles se deben mantener desde el punto más alto de los materiales combustibles ubicados en el aparejo.

Lugares peligrosos

En lugares donde pueda haber exposición a material combustible volátil o vapor, comuníquese con el jefe de bomberos, la compañía de seguros contra incendios o alguna otra autoridad para obtener la aprobación de la instalación propuesta.

INSTALACIÓN

⚠️ ADVERTENCIA:

Existen varios pasos para la instalación del calentador. NO intente utilizar el calentador hasta que no se hayan realizado TODOS los pasos de la instalación. El no seguir esta advertencia puede causar muertes, lesiones o daños materiales.

Equipo de protección

Para la instalación del calentador de tubo GSP, se recomienda el uso del siguiente equipo de protección:

- Guantes de trabajo
- Gafas de protección

Herramientas para la instalación

Las herramientas que se necesitan para la instalación del calentador de tubo GSP incluye, como mínimo los siguientes elementos:

- Cinta métrica
- Taladro eléctrico (con un rango de brocas)
- Llaves para tuberías, se necesitan 2
- Destornillador
- Engrapadora
- Palanca
- Pinzas

Materiales para la instalación

Los materiales que se necesitan para la instalación del calentador de tubo GSP incluye, como mínimo los siguientes elementos:

- Sellador de silicona de alta temperatura
- Ganchos de suspensión (pueden soportar 68 kilogramos [150 libras] cada uno)
- Tornillos de chapa metálica

Es posible que necesite los siguientes elementos para una instalación particular:

- Manguera plástica de drenaje
- Tubería de ventilación adicional
- Tapajuntas del techo
- Tapa contra lluvia
- Cadena de 2/0, o equivalente
- Ganchos en forma de S (como sea necesario)

Elija un lugar para el calentador

Cuando seleccione un lugar de montaje adecuado para el calentador de tubo GSP, es importante tener en cuenta la siguiente información:

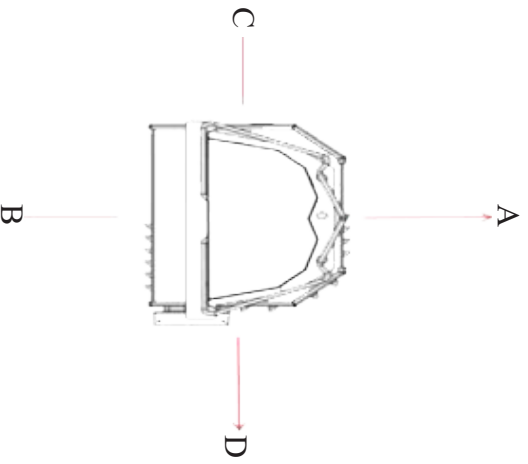
1. El calentador debe cumplir con el requisito mínimo de altura del montaje de 2,13 metros (7 pies) por encima del piso. En hangares para aviones y garajes públicos, el calentador debe cumplir con el requisito mínimo de altura del montaje de 2,43 metros (8 pies) por encima del piso.
2. El lugar de montaje propuesto permite alcanzar las distancias seguras mínimas requeridas desde los combustibles (los combustibles incluyen vehículos, gasolina para madera y objetos, líquidos y vapores inflamables).
3. El lugar de montaje propuesto para el calentador no restringe movimiento de puertas ni ventanas.
4. El lugar propuesto no afecta el uso de portones automáticos.
5. El lugar propuesto ofrece la mejor cobertura de toda el área que desea calentar.
6. El lugar propuesto debe suministrar el aire necesario para la ventilación y la combustión.
7. El lugar propuesto debe suministrar la distancia de acceso necesaria para el servicio y uso adecuado.
8. Se debe considerar el tipo de vehículo que se estacionará en el garaje (autos, camionetas, botes, casas rodantes etc.).
9. El lugar propuesto permite alcanzar las distancias seguras mínimas requeridas desde los combustibles con respecto a los vehículos estacionados en el garaje.
10. El lugar propuesto permite la instalación de los servicios necesarios (por ejemplo, gas y electricidad) y de la ventilación (la longitud de ventilación máxima es de 7,62 metros[25 pies]).
11. Hay distancias suficientes para el mantenimiento.
12. Hay elementos estructurales generales (vigas, barras, etc.) para fijar el calentador.
13. El lugar debe proporcionar la distancia adecuada alrededor de las aberturas de aire en la cámara de combustión.

Distancias seguras mínimas requeridas desde combustibles

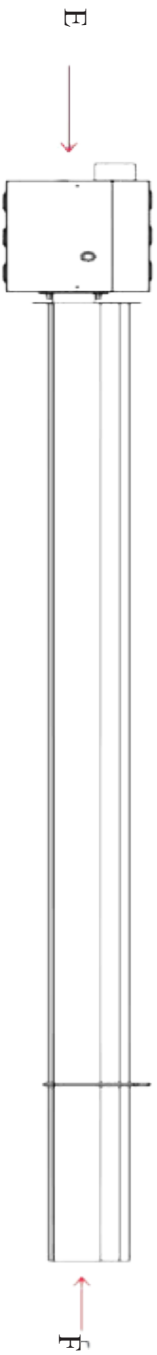
En todo momento se deben mantener las distancias seguras mínimas requeridas desde combustibles. Los combustibles son materiales que pueden prenderse fuego e incluyen muchos elementos comunes como madera, papel, goma, telas, etc. Los materiales combustibles como los nombrados anteriormente, y cualquier otro material combustible, no se deben ubicar a una distancia del calentador de tubo GSP menor que las indicadas en los diagramas de la siguiente página. Si tiene alguna pregunta sobre las distancias seguras mínimas requeridas desde los combustibles, o sobre los diagramas relacionados, comuníquese con el instalador, o con el representante o distribuidor de Enerco, de Enerco Technical Products durante el horario de oficina normal, de lunes a viernes de 8:15 a.m. a 4:45 p.m., hora del Este.

Teléfono: 800-251-0001

Es importante mantener siempre las distancias seguras mínimas requeridas desde los combustibles para evitar muertes, lesiones o daños materiales. Se deben mantener las distancias desde los vehículos estacionados debajo de los calentadores. Se deben comunicar señales para identificar cualquier posible violación de las distancias desde el calentador en las áreas de los vehículos. La altura de apilamiento máxima permitida en áreas de almacenamiento se deben identificar con señales o marcas apropiadas. Las ilustraciones y la tabla en la página contigua especifican las distancias seguras mínimas requeridas desde los combustibles.

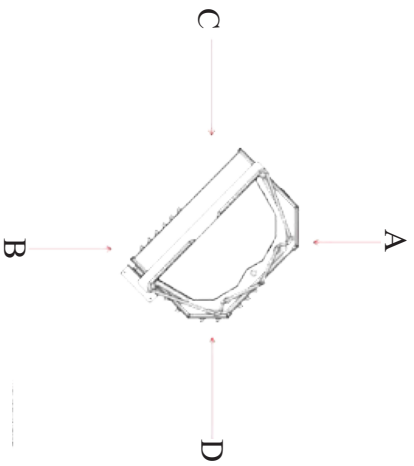


A	B	C	D	E	F
6"	54"	24"	24"	24"	6"
(15.24 cm)	(137.16 cm)	(60.96 cm)	(60.96 cm)	(60.96 cm)	(15.24 cm)

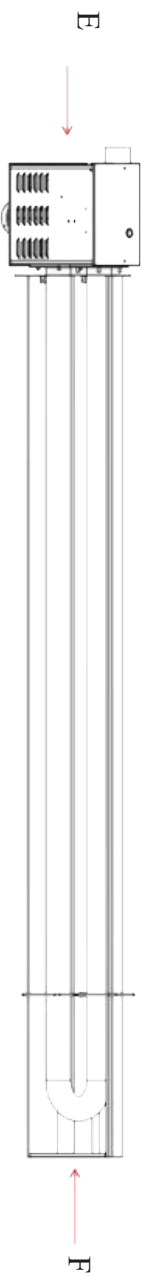


Horizontal Installations

Nota: La dimensión "B" indica las distancias de seguridad mínimas requeridas de los combustibles, NO indica la altura de montaje requerida. La altura mínima de montaje es de 7 pies, excepto en los hangares de aviones y garajes públicos.



A	B	C	D	E	F
6"	36"	36"	6"	24"	6"
(15.24 cm)	(91.44 cm)	(91.44 cm)	(15.24 cm)	(60.96 cm)	(15.24 cm)



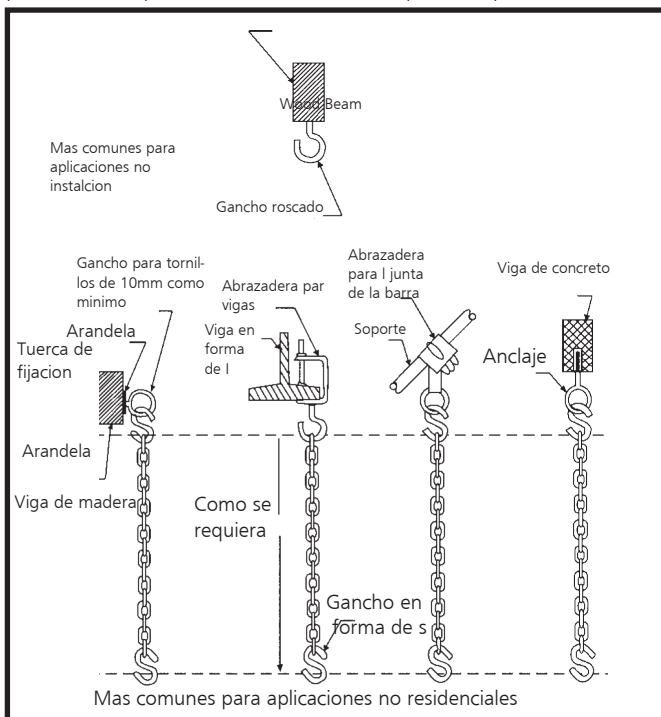
45 ° Tilted Installations

Procedimiento para colgar el calentador

Los lugares de montaje tienen tamaños, formas, estilos y métodos de construcción variados. Debido a todas estas variables, no se pueden incluir los accesorios de montaje con el calentador GSP. Aunque las vigas y viguetas de madera son los elementos estructurales generales más comunes en las aplicaciones de garajes residenciales, también se indican otras configuraciones estructurales en la siguiente ilustración.

En los métodos típicos de suspensión que se muestran a continuación, los tramos de cadena se muestran como un medio para bajar el calentador. Sin embargo, en la mayoría de las aplicaciones instalación, es posible que no se necesite bajar el calentador. Se pueden atornillar los accesorios de los ganchos por debajo de una barra. El gancho expuesto se puede insertar directamente en uno de los dos orificios de montaje del gancho fijo delantero, mientras que el otro gancho se puede insertar en uno de los tres anillos de suspensión del gancho posterior móvil.

Independientemente del método de suspensión elegido, los dos puntos de suspensión necesarios deben poder soportar



Posición del calentador

El calentador de tubo GSP se puede instalar en cualquiera de las tres posiciones que se indican a continuación. Seleccione la posición del calentador más conveniente para el lugar elegido para el calentador.

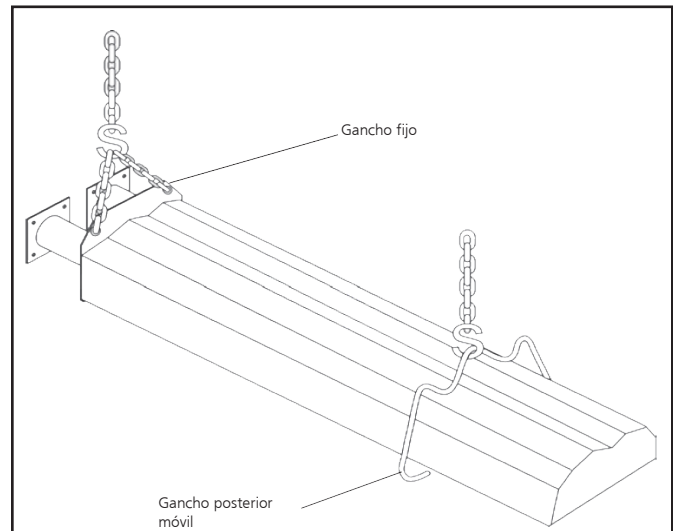
- Horizontalmente
- Inclinado 45° hacia la derecha
- Inclinado 45° hacia la izquierda

NOTA: Si el calentador se ventila por el techo, asegúrese de revisar cuidadosamente la parte de instalación en el techo de esta sección. Asegúrese de que el sitio de montaje seleccionado satisfaga los parámetros de medición (la longitud de la ventilación no debe exceder los 7,62 metros [25 pies]) que se describen en dicha sección.

Instalación horizontal

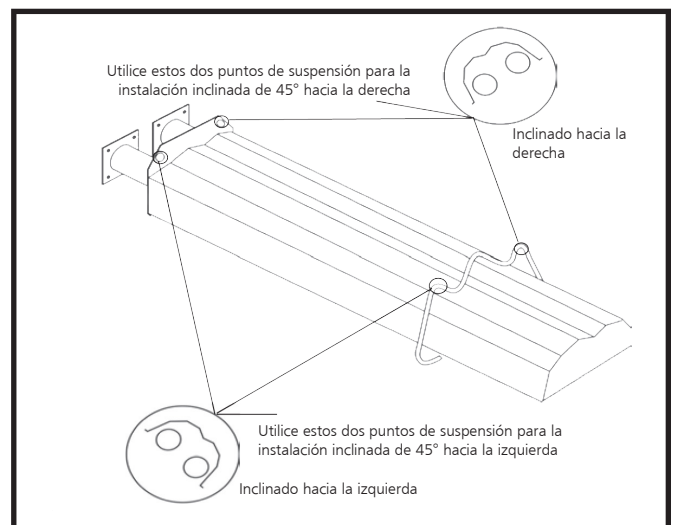
1. Con ganchos en forma de S, fije dos tramos de cadena iguales de 2/0, o equivalente, a los dos orificios más altos del gancho fijo delantero.
2. Deslice el extremo libre de ambas cadenas hacia otro gancho en forma de S, como se muestra en la figura.
3. El gancho en forma de S más alto ahora se puede instalar en los accesorios de la suspensión que se instalaron para la suspensión de la unidad. También se puede instalar ahora otro tramo de cadena adicional, si es necesario, para bajar el calentador.

NOTA: La parte del gancho de los accesorios de la suspensión del gancho se puede insertar directamente en los dos orificios del gancho fijo delantero y en el anillo central del gancho posterior móvil.



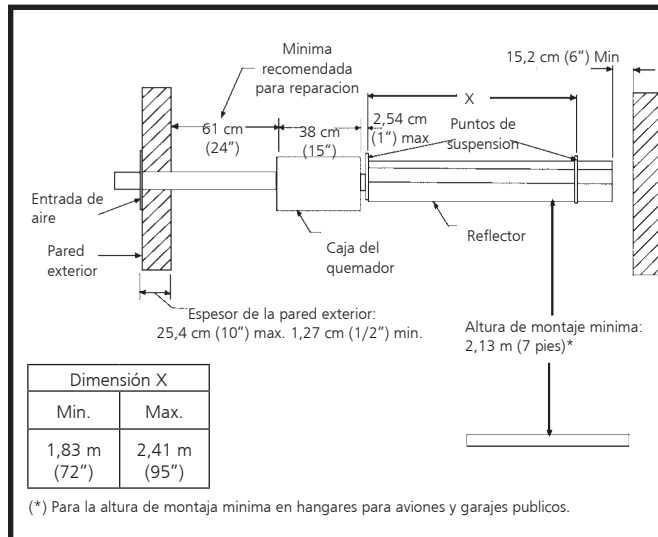
Instalación inclinada de 45°

1. Determine si el calentador se instalará con inclinación a la izquierda o a la derecha. Los puntos de suspensión delanteros y traseros seleccionados deben estar hacia el mismo lado (izquierdo o derecho) del calentador como se muestra a continuación.
2. Fije los ganchos o las cadenas de suspensión a los puntos de suspensión del calentador que se seleccionaron.



Instalación típica

La siguiente ilustración muestra una instalación típica del calentador de tubo GSP. El dibujo de instalación que se muestra tiene una colocación de ventilación horizontal recta y especifica el espacio mínimo que se necesita para el mantenimiento, así como el rango de distancias permitido entre los dos puntos de suspensión. La colocación detallada de la ventilación se ilustra en otras partes de esta sección.



VENTILACIÓN

- La ventilación debe cumplir con la última edición del Reglamento nacional de combustible gaseoso (ANSI Z223.1 última edición: o la autoridad que tenga jurisdicción.
- La tubería metálica sin aislamiento para paredes simples no se debe utilizar en el exterior en condiciones climáticas frías para ventilar estos calentadores como se especifica en la Sección 7.8 de la última edición del Reglamento nacional de combustible gaseoso ANSI Z223.1/NFPA 54.
- Para instalar una tubería metálica para paredes simples por una pared combustible exterior, consulte la última edición del Registro nacional de combustible gaseoso o la autoridad que tenga jurisdicción.
- En regiones donde los vientos predominantes son constantemente de más de 40 mph, es posible que el sistema de ventilación deba terminar por encima del nivel del piso.

Otras referencias sobre la ventilación pueden encontrarse en el volumen del equipo del manual de ASHRAE.

Indicaciones generales

Independientemente de la ventilación que se conecte al calentador, se deben seguir las siguientes indicaciones generales de ventilación:

1. La instalación debe cumplir con los códigos locales o, en ausencia de dichos códigos, con el Reglamento nacional de combustible de gas ANSI Z223.1/NFPA 54, o con el Código de instalación de propano y gas natural, CSA B149.1 en Canadá.
2. Las entradas de los artefactos se basan en el funcionamiento a nivel del mar y no se deben cambiar para su funcionamiento en hasta 609,9 metros (2.000 pies) de altura. Para el funcionamiento en alturas por encima de 609,9 metros (2.000 pies) están fabricadas según las condiciones especificadas para Canadá y los Estados Unidos.
3. El artefacto y la válvula de gas principal se deben desconectar

del sistema de tubería de suministro de gas durante toda prueba de presión de dicho sistema cuando la presión exceda el 0.03 kg/cm² (½ psi.) (3,5kPa.). El artefacto se debe separar del sistema de tubería de gas cerrando la válvula de cierre del equipo durante la prueba de presión del sistema de tubería de suministro de gas cuando la presión sea de 0.03 kg/cm² (½ psi) o menor. (3,5kPa.). (ADVERTENCIA) Los materiales y los artículos guardados debajo de este calentador estarán expuestos al calor radiante y pueden sufrir daños graves.

4. Todas las partes horizontales de la ventilación deben tener una inclinación con respecto al calentador a razón de 0,6 cm (¼") por 30 cm (1 pie).
5. La longitud total de la tubería de ventilación (circuitos horizontales y verticales, y la longitud de la terminación exterior) no debe exceder los 7,62 metros (25 pies), y no debe medir menos de 1,52 metros (5 pies).
6. El terminal de la ventilación, montado en el exterior del edificio, no se debe colocar encima de pasarelas. La condensación que se produce durante el funcionamiento del calentador puede gotear en la pasarela y formar hielo en condiciones climáticas frías.
7. Asegúrese de que la instalación de la ventilación se realice de acuerdo con todos los códigos y las recomendaciones locales aplicables de la empresa de gas local.
8. NO conecte este calentador a una chimenea separada, y NO ventile de manera común con ningún otro artefacto de combustión de combustible. Los artefactos a gas no se deben conectar al respiradero de una chimenea que sirve a otro artefacto de combustión de combustible sólido.
9. Mantenga una distancia mínima de 2,54 cm (1 pulgada) desde los combustibles que se encuentran alrededor de todas las tuberías de ventilación.
10. Selle todas las conexiones de la tubería de ventilación con un sellador de silicona a alta temperatura y asegure cada conexión con tres tornillos de chapa metálica.

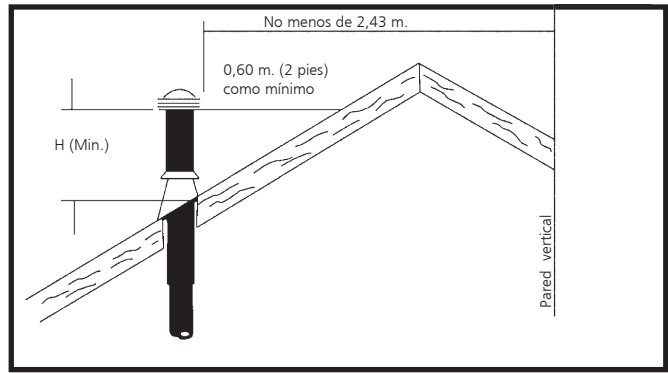
A. Vertical a través del techo

Este calefactor, cuando se ventila verticalmente, debe instalarse con el sistema de ventilación aprobado. Para las instalaciones de ventilación vertical, GSP el calentador de tubos está certificado como un aparato de categoría I.

NOTA: Para aplicaciones en las que el calentador no deben ser conectadas a una chimenea separada, se debe instalar con el sistema de ventilación como se especifica a continuación.

1. Cuando el calentador se ventile hacia afuera del edificio por un techo, utilice una tubería metálica para paredes simples de 7,62 cm. (3 pulgadas) de diámetro exterior. Esto se debe construir con material metálico galvanizado u otro material no combustible, resistente a la corrosión aprobado como lo indican los códigos estatales y locales.
2. Una ventilación que pasa por un techo combustible debe sobresalir por un casquillo de la pared a 5,08 cm. (2 pulgadas) de distancia. Se debe utilizar una ventilación para paredes dobles de tipo B para la parte del sistema de ventilación que pasa por el techo. Se debe fijar una tapa de ventilación aprobada (como la tapa "VersaCap" tipo B de Leslie) al extremo del respiradero.

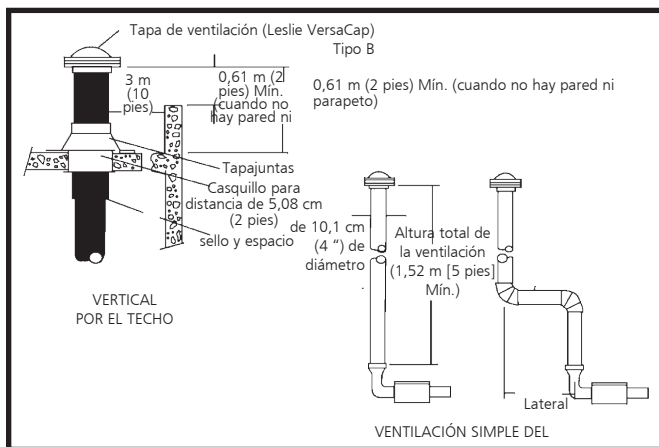
3. Se debe observar atentamente la longitud equivalente máxima de la tubería de ventilación. Se diseñó una llave de seguridad en el calentador para apagarlo antes de que la restricción excesiva del respiradero genere una mala combustión. Longitud equivalente mínima = 1,52 metros (5 pies) de tubería. Longitud equivalente máxima = 7,62 metros (25 pies) de tubería.
4. Las juntas entre las secciones de la tubería se deben ajustar con tornillos de chapa metálica u otros medios aprobados. Las costuras a lo largo de la tubería y las juntas entre las secciones de la tubería se deben sellar para evitar posibles fugas de gas del respiradero en el edificio. Utilice un sellador adhesivo de goma de silicona 100 % RTV apto para 260 °C (500 °F).
5. Todas las partes de la tubería de ventilación deben estar fijadas para evitar que se comben.
6. Cuando la tubería de ventilación pasa por áreas donde es posible que la temperatura ambiente condense los gases del respiradero, se debe aislar la tubería de ventilación y colocar un drenaje de condensación.
7. La distancia mínima a materiales combustibles para una tubería de ventilación para paredes simples es de 15,24 cm. (6 pulgadas). Esta distancia se puede reducir cuando el material combustible esté protegido como lo especifica el Reglamento nacional de combustible gaseoso o la autoridad que tenga jurisdicción.
8. La tubería metálica para paredes simples no debe empezar en ningún ático deshabitado o espacio oculto y no debe pasar por ningún ático, por dentro de una pared o espacio oculto, ni por el piso.
9. Un sistema de ventilación debe terminar al menos 0,9 m.(3 pies) por encima de cualquier entrada de aire forzada ubicada dentro de los 3,1 m. (10 pies).



ALTURA MÍNIMA DESDE EL TECHO HASTA LA ABERTURA DE DESCARGA MÁS BAJA

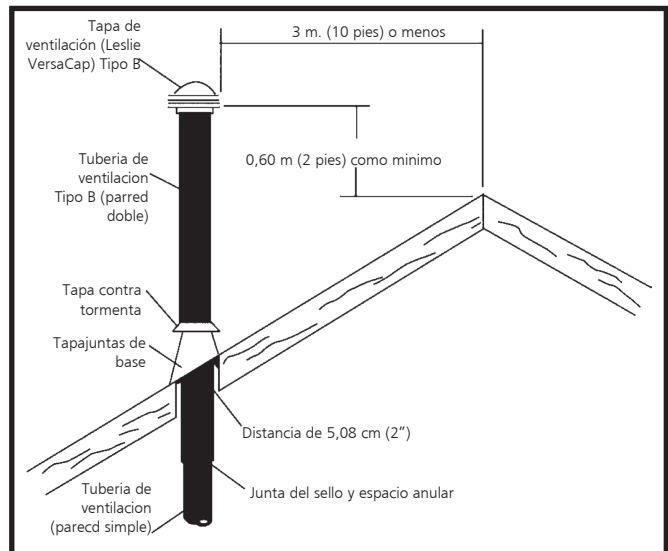
Inclinación del techo	Alt (Mín)
Plano a 6/12	0,30 m. (1,0')
Más de 6/12 a 8/12	0,45 m. (1,5')
Más de 8/12 a 10/12	0,76 m. (2,5')
Más de 10/12 a 12/12	1,22 m. (4,0')
Más de 12/12 a 16/12	1,83 m. (6,0')
Más de 16/12 a 20/12	2,28 m. (7,5')

2. Todas las otras ventilaciones de gas deben terminar a no menos de 0,6 metros (2 pies) por encima del punto más alto donde pasan por el techo y al menos 0,6 metros (2 pies) más arriba que cualquier parte de un edificio ubicado dentro de los 3,1 metros (10 pies) como se muestra en la siguiente ilustración.



B. TERMINACIÓN DE LA VENTILACIÓN

1. El terminal de la ventilación debe terminar por encima de la línea del techo para que ninguna abertura de descarga sea menor a 0,6 m. (2 pies) horizontalmente desde la superficie del techo. La abertura de descarga más baja no debe estar más cerca que la altura mínima especificada en la siguiente tabla. Estas alturas mínimas se pueden utilizar siempre que la ventilación no sea menor a 2,4 m. (8 pies) desde una pared vertical o una obstrucción similar.



C. HORIZONTAL POR UNA PARED LATERAL

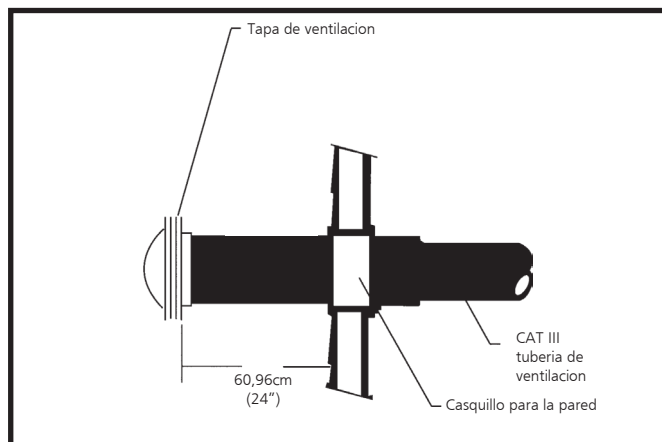
Este calefactor, cuando se ventila horizontalmente, debe instalarse con el sistema de ventilación aprobado. Para las instalaciones de ventilación horizontal, GSP el calentador de tubos está certificado como un aparato de categoría III.

1. Cuando el calentador se ventile hacia afuera del edificio por un techo, utilice una tubería metálica para paredes simples de 7,62 cm. (3 pulgadas) de diámetro exterior. Esto se debe construir con material metálico galvanizado u otro material no combustible, resistente a la corrosión aprobado como lo indican los códigos estatales y locales.

2. Para una ventilación horizontal, las longitudes de la ventilación pueden ser las siguientes: Longitud equivalente mínima = 1,52 metros (5 pies) de tubería. Longitud equivalente máxima = 7,62 metros (25 pies) de tubería.

NOTE: Para minimizar los problemas relacionados con la condensación en circuitos largos, la tubería de ventilación se puede aislar.

3. El sistema de ventilación horizontal aprobado con este calentador es el juego de ventilación para paredes laterales que se muestra en la página 3.
4. Limite la cantidad de codos de 90° a dos. Cuando la tubería de ventilación está en un circuito horizontal, se debe inclinar hacia abajo 0,63 cm (1/4 pulgadas) por 30 cm (1 pie) hacia el terminal de la ventilación. El calentador se debe instalar derecho.
5. El sistema de ventilación horizontal no se debe interrumpir cuando está a:
 - a) Menos de 1,2 m (4 pies) por debajo de cualquier puerta, ventana o entrada de aire de gravedad al edificio, 1,2 m (4 pies) horizontalmente de cualquiera de ellas, o 30 cm (1 pie) por encima de cualquiera de ellas. La parte inferior del terminal de ventilación se debe ubicar al menos 2,1 m (7 pies) por encima del nivel o por encima de los niveles de acumulación de nieve como lo indican los códigos locales.
 - b) Menos de 0,9 m (3 pies) de la entrada de aire de combustión.
 - c) Menos de 0,9 m (3 pies) de cualquier otra abertura del edificio o de cualquier regulador de servicio de gas.
 - d) Directamente sobre áreas donde la condensación o el vapor puedan molestar poner en riesgo o ser nocivo para el funcionamiento de los medidores de la empresa de gas, reguladores, válvulas de alivio u otro equipo. Los materiales de construcción se deben proteger de los gases del respiradero y la condensación.



Ventilación/Conducto

Sólo para instalaciones comerciales e industriales

Requisitos generales

Utilice una cinta de aluminio o teflón apto para 287,7° C (550°F) (cintas 3M Company N.º433 o N.º363) o sellador de silicona RTV.

El calentador se debe ventilar de acuerdo con la especificación ANSI El calentador se debe ventilar de acuerdo con la especificación ANSI Z223.1, última revisión. En esta sección se proporciona información parcial relacionada con esta especificación en cuanto a tamaño y configuraciones para la colocación de la ventilación. Para obtener información completa, consulte ANSI Z223.1, última revisión y los códigos locales aplicables. Utilice las siguientes recomendaciones como ayuda para asegurar una colocación de ventilación adecuada y segura.

- a) Asegúrese de que el método seleccionado para ventilar el calentador cumpla con todos los códigos como sea necesario para cada lugar en particular.
- b) El extremo de escape del calentador acepta una tubería de 10,16 cm. (4 pulgadas) con el adaptador de la tubería del respiradero.
- c) El calentador se debe ventilar hacia el exterior vertical u horizontalmente.
- d) Si el calentador se debe ventilar horizontalmente:
 1. La ventilación debe salir del edificio a no menos de 2,13 m. (7 pies) por encima del nivel cuando está ubicada de manera adyacente a pasarelas públicas.
 2. La ventilación debe terminar al menos 0,91 metros (3 pies) por encima de cualquier entrada de aire forzada ubicada dentro de los 3,1 metros (10 pies).
 3. La ventilación debe terminar al menos 1,21 metros (4 pies) por debajo de cualquier puerta, ventana o entrada de gravedad al edificio, 1,21 metros (4 pies) horizontalmente de cualquiera de ellas, o 0,30 metros (1 pie) por encima de cualquiera de ellas.
 4. El terminal de la ventilación se debe ubicar al menos a 30,48 cm (12 pulgadas) de cualquier abertura por la que los gases de la ventilación puedan ingresar al edificio.
- e) La abertura del terminal de la ventilación debe estar alejada de cualquier saliente de combustible.
- f) Si la condensación en el respiradero es un problema, la longitud del respiradero se debe acortar o aislar.
- g) Para las especificaciones de la ventilación se deben cumplir todas las condiciones siguientes:

Se debe observar atentamente la longitud equivalente máxima de la tubería de ventilación. Se diseñó una llave de seguridad en el calentador para apagarlo antes de que la restricción excesiva del respiradero genere una mala combustión.

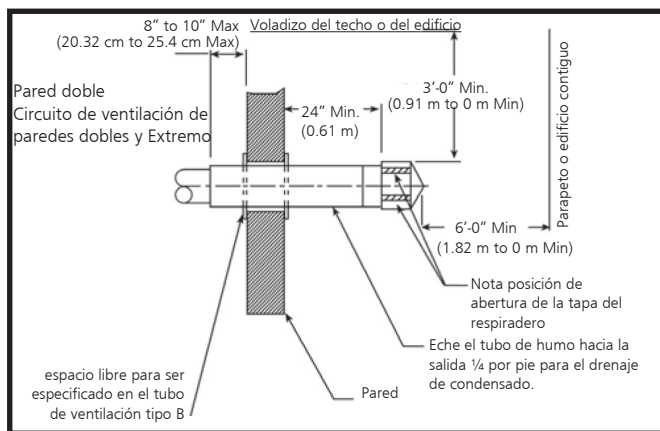
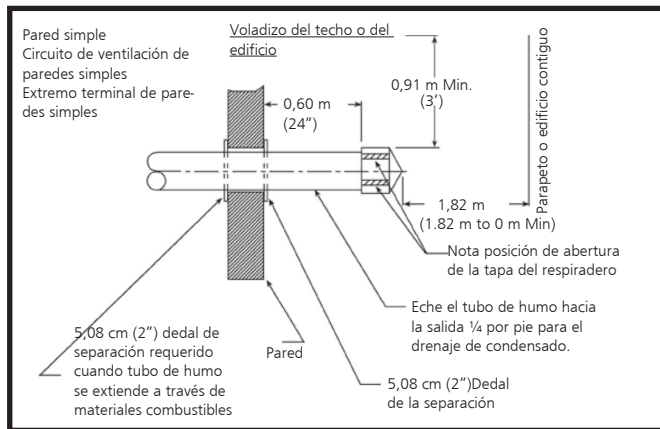
Longitud equivalente mínima = 1,52 metros (5 pies) de tubería
Longitud equivalente máxima = 7,62 metros (25 pies) de tubería

Colocación alternativa /Equipo opcional para la ventilación

Ventilación horizontal

Este calefactor, cuando se ventila horizontalmente, debe instalarse con el sistema de ventilación aprobado. Para las instalaciones de ventilación horizontal, GSP el calentador de tubos está certificado como un aparato de categoría III.

- En paredes combustibles o no combustibles, utilice los juegos de ventilación de la página (3). Siga las instrucciones del fabricante de la ventilación para una instalación adecuada.
- Se necesita una tubería de respiradero de 10,16 cm (4 pulgadas) de diámetro exterior. Se recomienda una longitud máxima de 7,62 metros (25 pies).
- Todas las juntas se deben sellar con un producto adecuado como el General Electric RTV 106 o el sellador adhesivo de silicona de alta temperatura rojo Permatex Form-A-Gasket.
- El terminal de la ventilación se debe instalar a una altura suficiente para evitar que se obstruya con nieve.
- Los materiales de construcción se deben proteger de la degradación de los gases del respiradero.



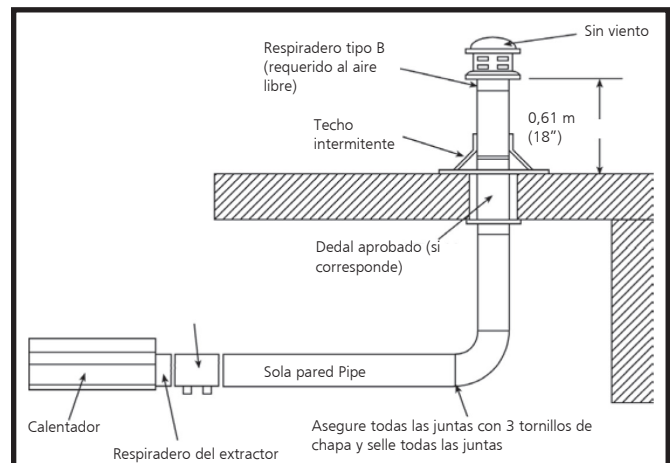
Ventilación Vertical

Este calefactor, cuando se ventila verticalmente, debe instalarse con el sistema de ventilación aprobado. Para las instalaciones de ventilación vertical, GSP el calentador de tubos está certificado como un aparato de categoría I.

- Tubería de respiradero de 7,62 cm (3 pulgadas) de diámetro externo; se puede utilizar un largo de 7,62 metros (25 pies) como máximo, como se muestra con la tapa de ventilación aprobada.
- Es posible que se necesite un casquillo aislado para pasar por las estructuras combustibles (verifique los códigos locales). Es posible que se requiera un cartucho aislado para pasar

a través de estructuras combustibles (consulte los códigos locales)

- Todas las juntas de tiro deben sellarse con productos adecuados (ver recomendación para ventilación horizontal).



Aire Para La Combustión

Si se va a suministrar aire interno de combustión en un lugar muy cerrado, se debe dejar un espacio sin corriente de aire de 6,45 cm² (1 p2) debajo del calentador por cada 1.000 Btu/hr de entrada del calentador.

Cuando se utiliza aire externo, el espacio debajo del calentador debe ser de 6,45 cm² (1 p2) sin corriente de aire por cada 4.000 Btu/hr

de entrada del calentador. En lugares contaminados o áreas muy húmedas, se recomienda aire externo para combustión opcional. Las distancias adecuadas alrededor de la placa de aire fresco perforado se deben mantener en todo momento. En áreas abiertas edificadas más grandes, generalmente la infiltración es adecuada como para proporcionar aire para la combustión.

Aire exterior directo para la combustión

El aire exterior para la combustión se debe suministrar directamente al calentador cuando el edificio tenga presión negativa o cuando haya contaminantes en el aire del edificio. Estos contaminantes incluyen pinturas, solventes, vapores corrosivos o cualquier otra partícula extraña que pueda dañar el calentador o producir una combustión pobre.

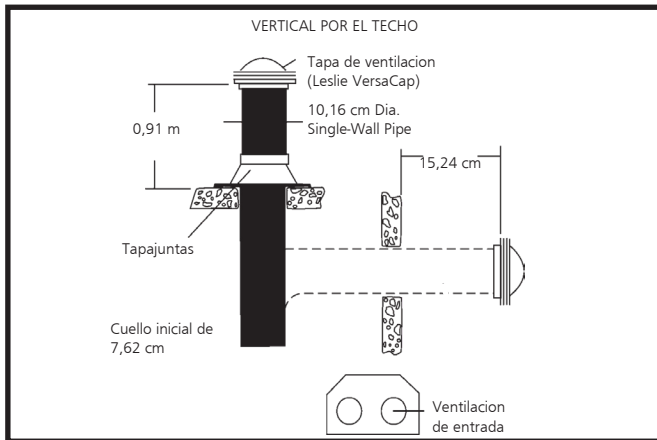
El aire exterior para la combustión se puede conducir directamente hacia el calentador con un conducto de 7,62 cm (3 pulgadas) de diámetro y menos de 7,62 metros (25 pies) de largo o equivalente. Esto se fija a un cuello inicial de 7,62 cm (3 pulgadas) que está ajustado en el costado de entrada del gabinete de control. Se debe colocar una tapa de ventilación aprobada directamente en el extremo de la tubería de entrada de aire exterior de combustión. La entrada de aire para la combustión debe ser de 0,91 metros (3 pies) como mínimo, vertical u horizontalmente, desde la terminación de la ventilación del respiradero. El terminal de admisión de aire se debe colocar a no menos de 0,30 metros (un pie) por encima del nivel. Es una buena práctica de instalación suministrar aire para la combustión desde la misma zona de presión que la salida de la ventilación.

En condiciones climáticas más frías, aisle el conducto de aire fresco, si es necesario. Evite colocar el conducto de aire fresco directamente sobre la caja de control. Proporcione una T limpia ya tapada como sea necesario.

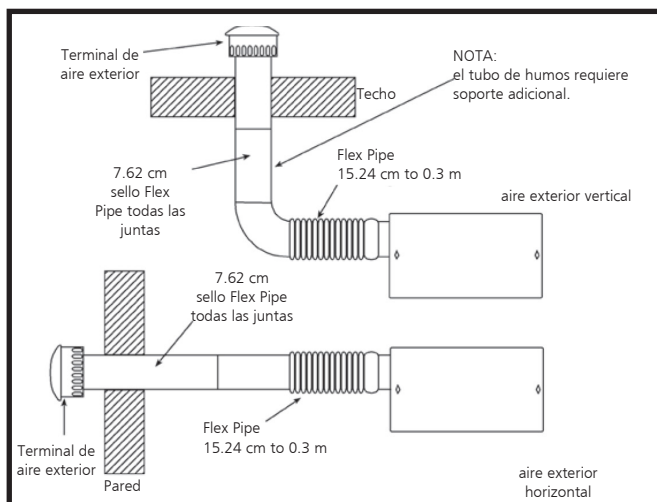
El calentador de tubo GSP está aprobado para ser instalado con

un sistema de suministro de aire exterior. Algunos compuestos como los hidrocarburos halogenados u otros químicos corrosivos en el aire pueden entrar en el equipo y acelerar el proceso de corrosión de algunos componentes del calentador. Se debe evitar el uso de dichos compuestos químicos cerca del recinto.

IMPORTANTE: Si el edificio tiene un mínimo de presión negativa o hay contaminantes en el aire, se recomienda enfáticamente un suministro de aire exterior para la combustión hacia el calentador. Para un suministro de aire exterior, se puede fijar una tubería para paredes simples de 7,62 cm (3"). El conducto puede tener hasta 7,62 metros (25 pies) de longitud como máximo o 0,6 metros (2 pies) de longitud como mínimo con no más de dos (2) codos.



Es posible que el conducto de suministro de aire se deba aislar para evitar condensación sobre la superficie exterior. El terminal de aire externo se debe ajustar firmemente a la pared exterior mediante cuatro (4) orificios en la parte externa. Para ajustar el terminal, se pueden utilizar tornillos o pernos de madera y mangas de expansión.



Instalación del sistema eléctrico:

Requisitos del sistema

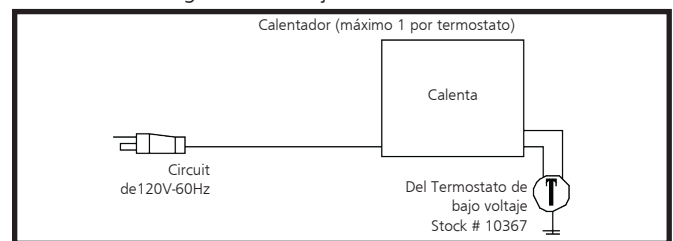
El calentador de tubo GSP requiere la instalación de un tomacorriente eléctrico de tres patas conectado a tierra dentro de los 46 cm (18") de la superficie posterior de la caja del quemador del calentador. Se recomienda que el tomacorriente para el calentador esté montado en el cielorraso y en un circuito exclusivo. NO utilice un cable de extensión eléctrico para usar el calentador.

Para controlar el calentador termostáticamente, se debe controlar el tomacorriente eléctrico de tres patas conectado a tierra con un interruptor de encendido o un termostato de voltaje en línea. Comuníquese con un electricista o siga todos los códigos eléctricos locales.

Especificación del calentador: 120 VCA, 60Hz, fase simple, 1 Amp.

Diagrama de cableado del termostato de bajo voltaje

Los calefactores son normalmente controlados por termostato. El termostato 24V recomendado se conecta a la unidad como se muestra en el diagrama de abajo.



Conexión a tierra

El calentador debe estar conectado a tierra eléctricamente de acuerdo con los siguientes códigos: Estados Unidos: consulte el Código Eléctrico Nacional ANSI/NFPA-70 – última revisión. El cableado debe cumplir con el Código Eléctrico Nacional y las ordenanzas locales. Canadá: consulte el Código Eléctrico Canadiense, CSA C22.1 Primera parte, última revisión.

Cuando se instale el artefacto, se lo debe conectar a tierra eléctricamente de acuerdo con el código local, o en ausencia de dichos códigos, con el Código Eléctrico Nacional (ANSI/NFPA 70) o el Código Eléctrico Canadiense (CSA 22.1), si se utiliza una fuente eléctrica externa.

⚠️ ADVERTENCIA Peligro de descarga eléctrica:

Enchufe el calentador en un tomacorriente de tres patas conectado a tierra en el cielorraso. No corte ni quite la pata de conexión a tierra de este enchufe. No lo utilice con un cable de extensión. El no seguir estas instrucciones producirá la muerte o una descarga eléctrica.

CUIDADO: Etiquete todos los cables antes de la desconexión cuando se realicen controles de mantenimiento. Verifique que el artefacto funcione adecuadamente después del mantenimiento.

⚠️ ATTENTION ⚠️

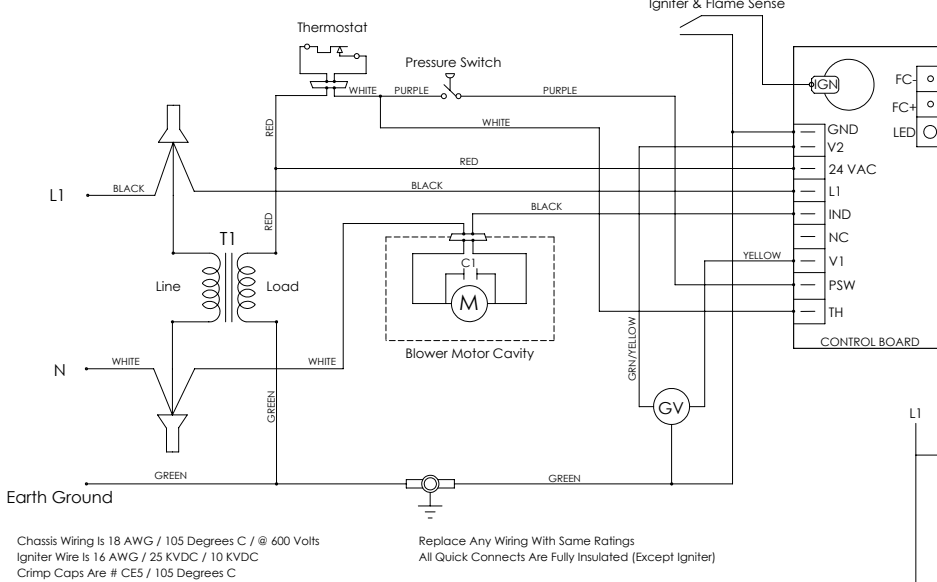
L'Instruction Mettre A Eletrique
Cet appareil de chauffage est equipe ave une trois (mettre a terre) le bouchon pour votre protection contre le danger da choc et devrait etre directement plugged dans un convenablement a mis a terre receptacle de trios broche. N' pas couper ou enlever la broche mettre a terre de ce bouchon.



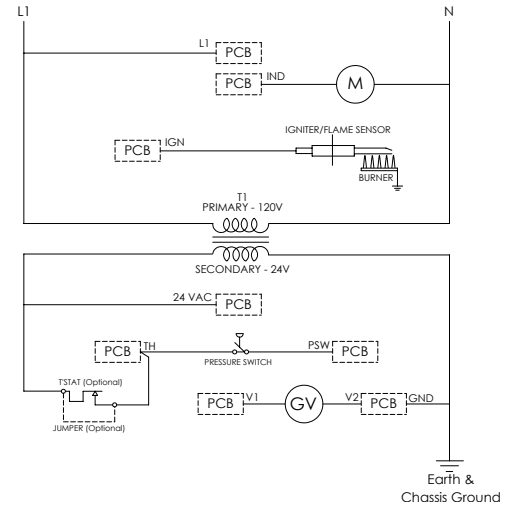
⚠️ WARNING ⚠️

Electrical Grounding Instructions
This heater is equipped with a three-prong (grounded) plug for your protection against shock hazard and should be plugged directly into a properly grounded three-prong receptacle. Do not cut or remove the grounding prong from this plug.

Diagrama de cableado



Arriba: Diagrama de conexión
Derecha: Diagrama de escalera



Instalación del servicio de gas

Instalación de las líneas de suministro de gas

Se necesita una conexión de suministro de gas de 1,27 cm (1/2") como se muestra a continuación. Para verificar la presión del sistema, se necesita una toma de cierre de 0,12 cm (1/8") NPT arriba de la válvula de cierre de gas manual suministrada con el calentador.

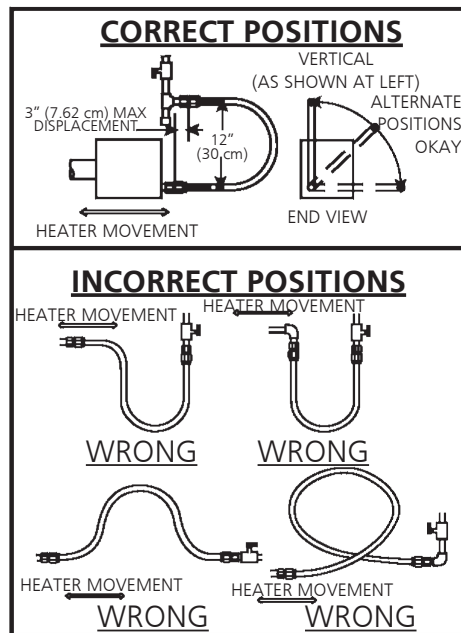
Antes de conectar el calentador al sistema de suministro, verifique que se haya completado toda la prueba de alta presión de la tubería de gas.

NO REALICE LA PRUEBA DE ALTA PRESIÓN A LA TUBERÍA DE GAS CON EL QUEMADOR CONECTADO.

Siga estas instrucciones para garantizar una segura instalación del sistema de suministro de gas:

1. Sujete toda la tubería de gas con materiales adecuados para colgar la tubería.
2. Utilice tuberías de hierro o acero forjados y acoples de hierro maleable. Se pueden utilizar caños de cobre y acoples de bronce siempre que su uso cumpla con los códigos locales. Todas las tuberías, caños y acoples deben ser nuevos y no tener defectos. Limpie cuidadosamente los extremos de la tubería y los caños para quitar las obstrucciones y las rebabas.
3. Utilice un compuesto para juntas resistente al LP en todas las roscas.
4. Verifique la tubería y las conexiones de los caños para ver si hay fugas antes de poner en funcionamiento el equipo de calefacción. Cuando verifique las fugas de gas, utilice una solución de agua jabonosa; nunca utilice una llama expuesta.
5. El conector debe estar certificado para ser utilizado en un calentador radiante por los "Estándares ANSI Z21.24/CSA 6.10 para conectores para artefactos a gas".

NOTA: Se debe colocar una toma de cierre de 0,12 cm (1/8") NPT arriba del suministro de gas al calentador. La línea de suministro de gas conectada al calentador debe permitir que la unidad tenga un poco de movimiento. El artefacto experimentará expansión y contracción durante un ciclo de calefacción.



FUNCIONAMIENTO

Funcionamiento del calentador

TANTO LOS ADULTOS COMO LOS NIÑOS DEBEN ESTAR ATENTOS A LOS PELIGROS DE LAS ALTAS TEMPERATURAS DE SUPERFICIE Y DEBEN MANTENER DISTANCIA PARA EVITAR QUEMADURAS O LA IGNICIÓN DE SU ROPA.

LOS NIÑOS PEQUEÑOS DEBEN ESTAR VIGILADOS CUANDO ESTÉN EN EL MISMO LUGAR DONDE SE ENCUENTRA EL CALENTADOR.

NO CUELGUE DEL CALENTADOR NI COLOQUE SOBRE O CERCA DE ESTE ROPA NI NINGÚN OTRO MATERIAL INFLAMABLE.

SI SE SACA ALGÚN DISPOSITIVO DE PROTECCIÓN PARA EL MANTENIMIENTO DEL CALENTADOR, SE DEBE VOLVER A COLOCAR ANTES DE PONER EL CALENTADOR EN FUNCIONAMIENTO.

UNA PERSONA CALIFICADA DEBE REALIZAR LA INSTALACIÓN Y LOS TRABAJOS DE REPARACIÓN. UNA PERSONA CALIFICADA DEBE INSPECCIONAR EL CALENTADOR ANTES DE SU USO POR LO MENOS UNA VEZ POR AÑO. ES POSIBLE QUE SEA NECESARIO REALIZAR UNA LIMPIEZA MÁS FRECUENTE. ES UNA OBLIGACIÓN QUE EL COMPARTIMIENTO DE CONTROL, LOS PASOS DE AIRE Y LOS QUEMADORES DEL CALENTADOR ESTÉN LIMPIOS.

1. Suba el termostato. Cuando el termostato comience a calentar, el motor del soplador se energizará.
2. Cuando el motor se aproxima a la velocidad de funcionamiento nominal, el interruptor de comprobación de aire se cierra y activa el módulo de encendido que a su vez inicia la purga.
3. El módulo de encendido energiza el encendedor de chispa.
4. Cuando las chispas comienzan, la válvula de gas se energiza.
5. Si se detecta una llama, la válvula de gas permanece abierta. Cuando haya calor suficiente, y el mecanismo de control del sistema se desenergice, el suministro de voltaje en línea del quemador y la válvula de gas se cierran.
6. Si no se detecta ninguna llama, la válvula de gas está cerrada, y comienza un período de purga. Después del período de purga, el módulo de encendido energiza el encendedor de chispa y la válvula de gas. Si no aparece ninguna llama, se comienza una tercera y última secuencia de purga/encendido. Después de tres intentos fallidos, el mecanismo de control del sistema se cierra durante una hora, o hasta que la unidad se restaure. Para la restauración, se debe quitar energía del calentador durante al menos cinco segundos.
7. Se debe realizar una verificación periódica de la llama del quemador mientras la unidad está en funcionamiento a través de un visor de vidrio ubicado en la parte inferior de la unidad.

MANTENIMIENTO

Mantenimiento De Pretemporada

El área del calentador se debe mantener limpia y sin materiales combustibles, gasolina y otros líquidos o vapores inflamables.

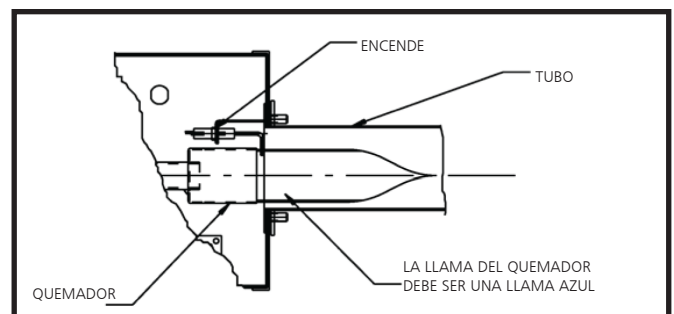
No use este artefacto si alguna de las piezas ha estado bajo el agua. Comuníquese de inmediato con un técnico de mantenimiento calificado para que inspeccione el artefacto y reemplace cualquier pieza del sistema de control y del control de gas que haya estado bajo el agua.

(CUIDADO) Etiquete todos los cables antes de la desconexión cuando se realicen controles de mantenimiento.

Para obtener el mejor rendimiento, los siguientes procedimientos de mantenimiento deben ser realizados por una agencia de reparación calificada antes de cada temporada de calefacción:

1. Se debe contactar una agencia de reparación calificada para que realice mantenimiento que no sea de rutina.
2. Verifique el estado del espiral y el motor del soplador. La suciedad y la tierra se pueden quitar con aire comprimido o con una aspiradora.
3. Verifique el estado del recipiente del quemador. Quite con cuidado cualquier suciedad o basura del interior del recipiente del quemador.
4. Inspeccione el encendedor. Reemplace el encendedor si hay demasiado residuo de carbón, electrodos erosionados u otros defectos.
5. Verifique que el visor del quemador esté limpio y no tenga rajaduras ni orificios. Limpie o reemplace, como sea necesario.
6. Verifique la tubería del respiradero para ver si hay hollín, suciedad u obstrucciones. No obstruya el flujo de aire necesario para la combustión y la ventilación. Después de la limpieza necesaria, vuelva a fijar la tubería del respiradero al calentador.
7. Las superficies externas del reflector del calentador se pueden limpiar con un trapo húmedo.
8. Verifique el terminal de la ventilación y la entrada de aire exterior para comprobar que no se hayan bloqueado durante la temporada de calor. Si alguna tubería está restringida, el interruptor de aire no se cierra, lo que evita la producción de calor.
9. Verifique que el artefacto funcione adecuadamente después de la reparación.

FUNCIONAMIENTO CORRECTO



RESOLUCIÓN DE PROBLEMAS

Esta guía de resolución de problemas fue diseñada para ayudarlo a localizar y corregir problemas sencillos que pueden aparecer en el calentador de tubo GSP.

EL SOPLADOR NO SE ENCIENDE	
Posible Causa	Intente esto...
El cable de alimentación está desconectado.	Enchufe el cable de alimentación en un tomacorriente de tres patas conectado a tierra.
El ajuste del termostato es muy bajo.	Aumente el ajuste de temperatura del termostato.
El módulo DSI debe ser restaurado.	Desenchufe el cable de alimentación del calentador del tomacorriente eléctrico: espere cinco segundos como mínimo. Vuelva a enchufar el cable del calentador en el tomacorriente.
No hay corriente en el tomacorriente eléctrico.	Reemplace el fusible o restaure la llave térmica.
El motor del soplador tiene fallas.	Reemplace el motor del soplador.

EL ENCEDEDOR NO HACE CHISPA	
Posible Causa	Intente esto...
El módulo DSI debe ser restaurado.	Desenchufe el cable de alimentación del calentador del tomacorriente eléctrico: espere cinco segundos como mínimo. Vuelva a enchufar el cable del calentador en el tomacorriente.
El encendedor o el cable de encendido tienen fallas.	Desenchufe el cable de alimentación del calentador del tomacorriente eléctrico y verifique el encendedor y el cable de encendido para ver si están dañados. Si están dañados, reemplace el encendedor o el cable de encendido.
El interruptor de aire no funciona.	Revise el conducto de suministro de ventilación y aire para ver si están obstruidos y quite las obstrucciones, como se requiere. Revise las mangueras de aire al interruptor de aire para ver si hay pérdidas o fugas y repare, reemplace o ajuste las mangueras, como se requiere. Revise para ver si hay 24V a lo largo de los terminales secundarios 4 y 5 (cables rojo y amarillo) del transformador. SI NO: Revise para ver si hay 120V a lo largo de los terminales primarios 1 y 3 (cables blanco y negro) del transformador. Si hay 120V, reemplace el transformador. Si no hay 120V, revise el cableado entre el cable de alimentación, el motor del soplador y el transformador. SI ES ASÍ: Conecte un cable puente a lo largo de los terminales del interruptor de aire; si el cable puente hace funcionar el soplador, reemplace el presostato (consulte la lista de repuestos para ver el número de pieza apto para su unidad).
El chispero del encendedor es incorrecto.	Restaure el chispero a 0,125 cm (1/8")

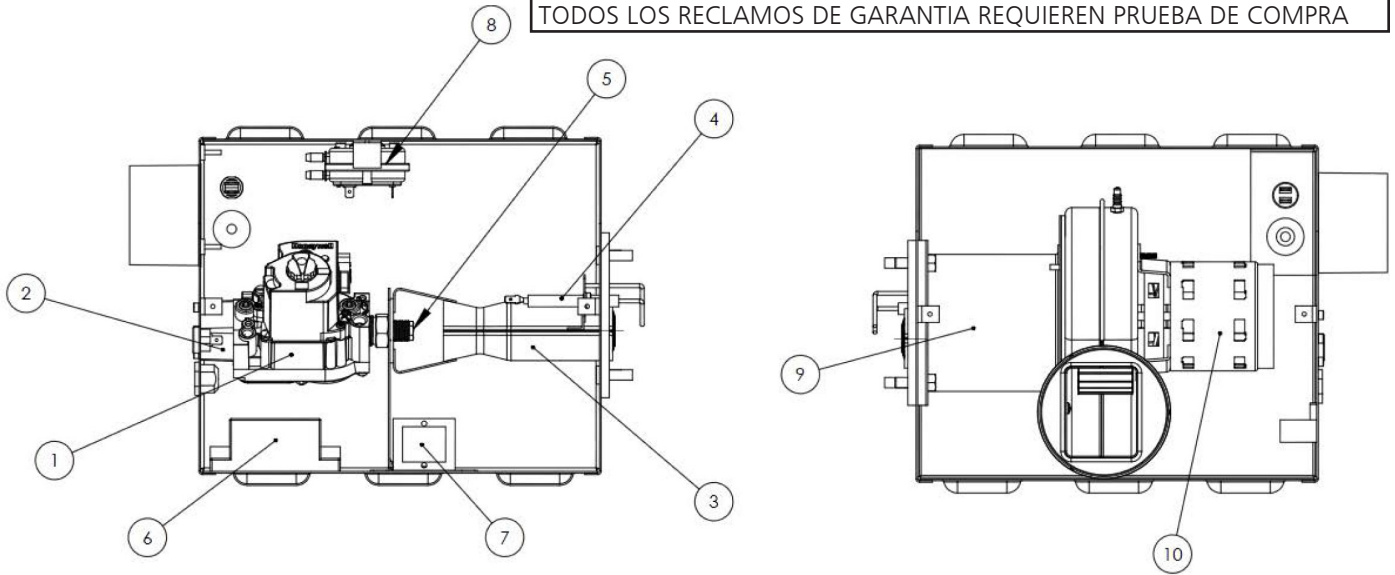
EL QUEMADOR NO ENCIENDE	
Posible Causa	Intente esto...
Hay aire en la línea de gas.	Purgue las líneas de gas.
La presión de entrada de gas no es adecuada.	Verifique la presión de entrada de gas en la tapa de cierre de 0,12 cm (1/8") NPT. Si la presión de entrada de gas no cumple con los requisitos de la presión de entrada, comuníquese con la empresa de gas.
La válvula de gas no se abre.	Revise para ver si hay 24V a lo largo de los terminales de la válvulas. Verifique si la válvula está cerrada. SI NO: Verifique el cableado entre el módulo de encendido y la válvula. Repare o reemplace los cables, como se requiere. Si el cableado está bien, reemplace el módulo de encendido. SI ES ASÍ: Reemplace la válvula de gas.
Hay baja presión de salida de gas.	Verifique la presión del colector de gas. Mida la presión del colector en la tapa de presión de la válvula de gas. Verifique la presión del colector de gas. Mida la presión del colector en la tapa de presión de la válvula de gas. Gas natural: 10 cm (4,0") w.c. Gas LP: 25,4 cm (10") w.c. Si la presión del colector no cumple con los requisitos, ajuste la presión de salida de la válvula con el tornillo de ajuste de la válvula. NOTA: La presión de gas de entrada adecuada se debe verificar antes de realizar la prueba de presión de salida.

BURNER DOES NOT STAY LIT	
Posible Causa	Intente esto...
Los cables entre el módulo DSI y el electrodo están dañados.	Reemplace los cables, como se requiere.
El módulo DSI tiene fallas.	Reemplace el módulo DSI.
El electrodo está dañado.	Reemplace el electrodo.

ILUSTRACIÓN DE PIEZAS

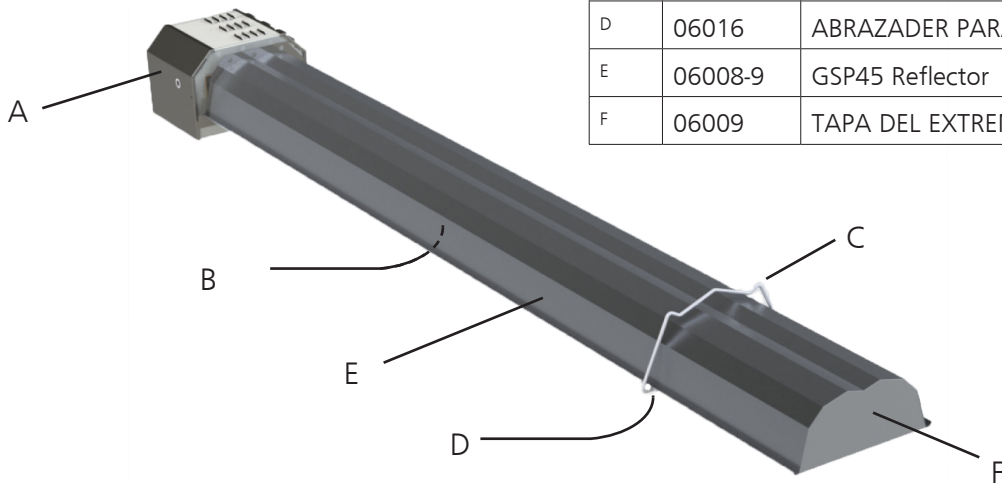
Esta sección muestra los números y la ilustraciones de las piezas para los componentes del calentador de tubo GSP. Las letras en las ilustraciones están ligadas a la lista de piezas relacionada.

TODOS LOS RECLAMOS DE GARANTIA REQUIEREN PRUEBA DE COMPRA



#	P/N	DESCRIPCION	QTY
1	60128	VALVULA DE GAS (G.N.)	1
	60129	VALVULA DE GAS (L.P.)	
2	03808	BRIDA DE LA VALVULA DE GAS	1
3	02590	QUEMADOR	1
4	60729	ENCENDEDOR	1
5	05795	ORIFICIO (G.N.)	1
	05747	ORIFICIO (L.P.)	
6	02970	MODULO DE ENCENDIDO	1
7	08364A	TRANSFORMADOR	1
8	02822	INTERRUPTOR DE PRESION	1
9	02575	ADAPTADOR DE MOTOR	1
10	02579	MOTOR DE SOPLADOR	1

REF	P/N	DESCRIPCION
A	02591	GSP45NG (CAJA DEL QUEMADOR PARA F208850)
	02592	GSP45LP (CAJA DEL QUEMADOR PARA F208851)
B	02598	GSP45 JUEGO DE TUBOS
C	06014	GANCHO
D	06016	ABRAZADERA PARA GANCHOS
E	06008-9	GSP45 Reflector
F	06009	TAPA DEL EXTREMO DEL REFLECTOR





INSTRUCCIONES DE USO Y MANUAL DEL USARIO

MODELO #

MH45GSP



ADVERTENCIA:

USE SOLAMENTE REPUESTOS DEL FABRICANTE. EL USO DE CUALQUIER OTRA PIEZA PODRÍA CAUSAR HERIDAS O LA MUERTE. LOS REPUESTOS ESTÁN DISPONIBLES ÚNICAMENTE EN LA FÁBRICA Y DEBEN SER INSTALADOS POR UNA AGENCIA DE SERVICIO CALIFICADA.

INFORMACION DE PEDIDO DE REPUESTOS:

ADQUISITIVO: Los accesorios pueden comprarse en cualquier HEATSTAR por el distribuidor local de Enerco o directamente desde la fábrica.

SI DESEA OBTENER MÁS INFORMACIÓN:

Llame sin cargo al 866-447-2194

WWW.HEATSTARBYENERCO.COM

Nuestro horario de trabajo es de 8:00 a. m. a 5:00 p. m., hora del este, de lunes a viernes.

Tenga a mano el número de modelo, número de serie y fecha de compra.

GARANTÍA LIMITADA

La compañía da garantías de que este producto está libre de imperfecciones materiales y de fabricación, bajo condiciones de uso normales y adecuadas de acuerdo con las instrucciones de la Compañía. Garantía limitada de 3 años en piezas y quemador. Garantía limitada de 10 años en el tubo. La Compañía, según decida, reparará o reemplazará los productos que el comprador devuelva a la fábrica, con transportación prepagada dentro del mencionado período de un año y que la Compañía determine que presentan imperfecciones materiales o de fabricación.

Si alguna de las piezas está dañada o si le falta alguna pieza, llame al Departamento de Servicio al Cliente al 866-447-2194.

Dirija sus reclamos de garantía al Departamento de Servicio al Cliente (Customer Service Department) a la siguiente dirección: Mr. Heater, Inc. 4560 W. 160TH ST., CLEVELAND, OHIO 44135. Incluya su nombre, dirección y número telefónico en su comunicación, y los detalles relacionados con el reclamo. Además, infórmenos la fecha de la compra y el nombre y la dirección del proveedor de quien adquirió nuestro producto.

Lo anterior describe las responsabilidades de la Compañía en toda su extensión. No hay otras garantías, ni explícitas ni implícitas. Específicamente, no hay garantías acerca de la adecuación para un propósito particular y no hay garantías de comerciabilidad. En ningún caso la Compañía será responsable por demoras causadas por imperfecciones, por daños consecuentes ni por ningún otro cargo de gastos de ninguna naturaleza realizados sin su consentimiento escrito. El costo de reparación o reemplazo será la única compensación por cualquier incumplimiento de la garantía. No hay garantía ni se derivará garantía implícita alguna del proceso de comercialización ni de las prácticas comerciales comunes. Esta garantía no será válida para productos que hayan sido reparados o alterados fuera de la fábrica en cualquier sentido que a nuestro criterio afecte su estado o funcionamiento.

Algunos estados no permiten la exclusión o limitación de daños incidentales ni consecuentes, así que la limitación o exclusión anterior puede no tener validez en su caso. Esta Garantía le otorga derechos legales específicos, y usted puede tener otros derechos que varían de un estado a otro.

Enerco Group, Inc. se reserva el derecho a hacer cambios en cualquier momento, sin previo aviso ni obligación, en los colores, las especificaciones, los accesorios, los materiales y los modelos.



ANSI Z83.20-2016
CSA 2.34-2016



ENERCO Technical Products, Inc., 4560 W. 160TH ST., CLEVELAND, OHIO 44135 • 866-447-2194
HEATSTAR es una marca registrada de ENERCO Technical Products, Inc.
© 2017, ENERCO Technical Products. Todos los derechos reservados.

Installateur: Laissez le manuel avec l'appareil. Consumer: Conservez le manuel pour référence ultérieure.

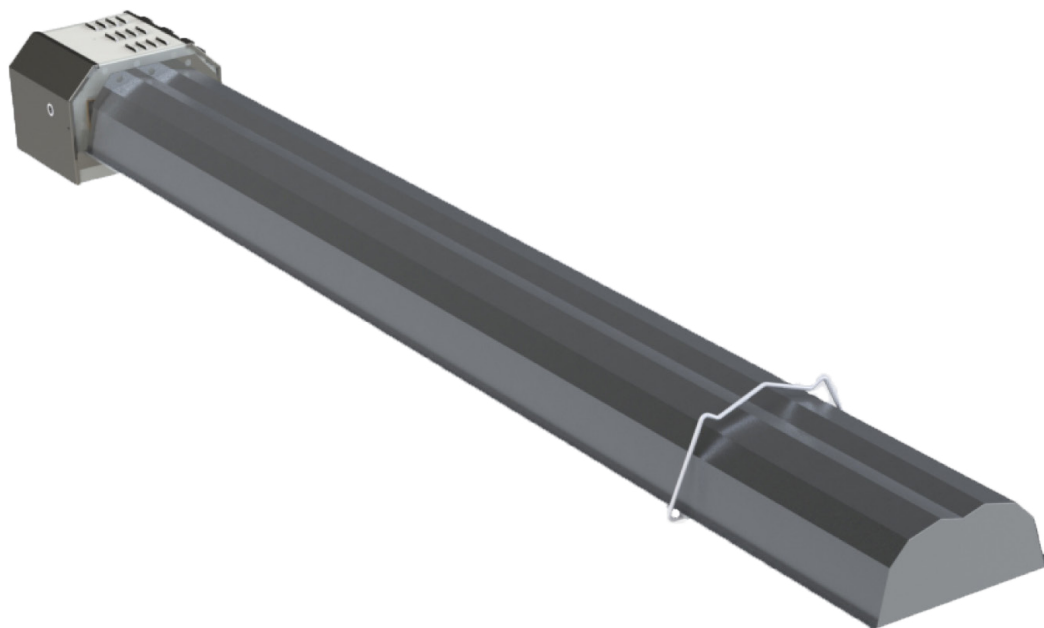


GUIDE D'UTILISATION ET MANUEL DU PROPRIÉTAIRE

Modèle n° :

GSP45

LISEZ SOIGNEUSEMENT LES INSTRUCTIONS : Lisez et observez toutes les instructions. Conservez ces instructions dans un endroit sécuritaire pour vous y référer ultérieurement. Ne permettez pas à quiconque n'ayant pas lu les présentes instructions d'assembler, d'allumer, de régler ou de faire fonctionner l'appareil.



Chauffe au gaz, à faible intensité infrarouge approuvé pour les garage résidentiel et les applications commerciales

LANGUES INCLUSES

- ANGLAIS
- FRANÇAIS
- ESPAGNOL

AVERTISSEMENT: Un mauvais réglage, installation, modification, opération ou entretien peut causer des blessures ou des dommages matériels. Reportez-vous à ce manuel. Pour toute assistance ou des renseignements supplémentaires, consultez un installateur qualifié, une agence de service ou le fournisseur de gaz.

- QUE FAIRE SI VOUS PERCEVEZ UNE ODEUR DE GAZ
 - Ouvrez la fenêtre.
 - **NE PAS** tenter d'allumer l'appareil.
 - **NE PAS** utiliser les interrupteurs électriques.
 - **NE PAS** utiliser un téléphone dans votre maison. Appelez immédiatement votre fournisseur de gaz local à partir d'un téléphone de votre voisin. Suivez les instructions du fournisseur de gaz.
 - Ne touchez à aucun interrupteur électrique ; n'utilisez aucun téléphone dans votre immeuble.
 - L'installation et l'entretien doivent être effectués par un installateur qualifié, une agence de service ou le fournisseur de gaz.
 - Si vous ne pouvez pas joindre votre fournisseur de gaz, appelez les pompiers.

POUR VOTRE SÉCURITÉ :

Ne pas entreposer ni utiliser d'essence ou d'autres vapeurs et liquides inflammables à proximité de cet appareil ou de tout autre appareil.

AVERTISSEMENT : Si les informations contenues dans ces instructions ne sont pas suivies à la lettre, cela pourrait provoquer un incendie ou une explosion qui pourrait causer des dommages à la propriété, des blessures ou des pertes de vie.

AVERTISSEMENT :

⚠ VOTRE SÉCURITÉ EST IMPORTANTE POUR VOUS ET POUR LES AUTRES, PAR CONSÉQUENT VEUILLEZ LIRE CES DIRECTIVES AVANT DE FAIRE FONCTIONNER CET APPAREIL DE CHAUFFAGE.

AVERTISSEMENT GÉNÉRAL DE DANGER :

⚠ LE NON-RESPECT DES MESURES DE PRÉVENTION ET DES INSTRUCTIONS FOURNIES AVEC CET APPAREIL DE CHAUFFAGE RISQUE DE CAUSER LA MORT, DES BLESSURES GRAVES ET DES DOMMAGES OU DES PERTES MATÉRIELLES RÉSULTANT D'INCENDIE, D'EXPLOSION, DE BRÛLURE, D'ASPHYXIE, D'INTOXICATION AU MONOXYDE DE CARBONE ET/OU D'ÉLECTROCUTION.

⚠ SEULES LES PERSONNES APTES À COMPRENDRE ET À RESPECTER LES INSTRUCTIONS DEVRAIENT UTILISER OU EFFECTUER LE SERVICE DE CET APPAREIL DE CHAUFFAGE.

⚠ SI VOUS AVEZ BESOIN D'AIDE OU D'INFORMATION CONCERNANT L'APPAREIL DE CHAUFFAGE TELLE QUE MANUEL D'INSTRUCTIONS, ÉTIQUETTES, ETC., VEUILLEZ COMMUNIQUER AVEC LE FABRICANT.

AVERTISSEMENT:

⚠ DANGER D'INCENDIE, DE BRÛLURE, D'INHALATION ET D'EXPLOSION. GARDEZ LES COMBUSTIBLES SOLIDES TELS QUE LES MATÉRIAUX DE CONSTRUCTION LE PAPIER ET LE CARTON À UNE DISTANCE SÉCURITAIRE DE L'APPAREIL DE CHAUFFAGE TEL QUE RECOMMANDÉ DANS LES INSTRUCTIONS. N'UTILISEZ JAMAIS L'APPAREIL DE CHAUFFAGE DANS UN ENDROIT QUI CONTIENT OU RISQUE DE CONTENIR DES COMBUSTIBLES VOLATILES OU EN SUSPENSION DANS L'AIR, OU DES PRODUITS TELS QUE DE L'ESSENCE, DES SOLVANTS, DU DILUANT À PEINTURE, DES PARTICULES DE POUSSIÈRE OU DES PRODUITS CHIMIQUES INCONNUS.

⚠ AVERTISSEMENT:

L'État de Californie exige l'avertissement suivant soit fourni : LES SOUS-PRODUITS DE COMBUSTION LORS DE L'UTILISATION DE CE PRODUIT CONTIENNENT DU MONOXYDE DE CARBONE, UN PRODUIT CHIMIQUE RECONNU PAR L'ÉTAT DE LA CALIFORNIE COMME POUVANT CAUSER LE CANCER ET DES MALFORMATIONS CONGÉNITALES (OU AUTRES DOMMAGES AU SYSTÈME REPRODUCTEUR).

TABLE DES MATIÈRES

AVERTISSEMENTS DE DANGER	2
INTRODUCTION.....	3
PLANIFICATION.....	6
INSTALLATION	8
VENTILATION	11
UTILISATION	17
ENTRETIEN.....	17
DÉPANNAGE.....	18
PIÈCES ILLUSTRÉES	19
GARANTIE.....	20

INFORMATIONS DE CONTACT

GARDE CE MANUEL POUR Y REVENIR PLUS TARD. POUR DES QUESTIONS, DES PROBLÈMES, DES PIÈCES MANQUANTES, AVANT DE RETOURNER AU DÉTAILLANT, VEUILLEZ APPELER AVEC LE NUMÉRO DE MODÈLE ET LE NUMÉRO DE SÉRIE DE L'APPAREIL DE CHAUFFAGE:
866-447-2194

LUNDI - VENDREDI 8-5 HEURE DE L'EST
OU E-MAIL EN UTILISANT LE SITE WEB DE
HEATSTAR:

WWW.HEATSTARBYENERCO.COM

Afin de fournir le meilleur service possible, HEATSTAR vous donne maintenant plus de moyens pour entrer en contact avec nous. Trouvez des vidéos d'information sur:

 YouTube: youtube.com/heatstarTV

La gamme complète de produits HEATSTAR est maintenant chez: **WWW.HEATSTARBYENERCO.COM**

AVANT DE COMMENCER

Lisez attentivement ce manuel avant d'installer ou d'entretenir cet équipement. Un mauvais entretien, installation ou maintenance peut entraîner la mort, des blessures ou des dommages matériels. Vérifiez les distances de sécurité minimales requises par rapport aux combustibles indiquées sur chaque brûleur pour vous assurer que le produit convient à votre utilisation. Les distances de sécurité minimales requises par rapport aux combustibles se trouvent également à la page 9 de ce manuel. L'installateur doit être un entrepreneur agréé du représentant. Une fois l'installation terminée, vérifiez le fonctionnement de l'appareil, tel que prévu dans ces instructions.

DÉBALLAGE DU RADIATEUR

BESOINS EN PERSONNEL

Pour prévenir les blessures et les dommages à l'appareil, deux personnes seront nécessaires pour sortir l'appareil de la boîte.

Les deux extrémités du radiateur doivent être soulevées en même temps. Le boîtier du brûleur doit être soulevé en agrippant la partie inférieure de la boîte. Le côté du réflecteur du radiateur doit être soulevé à l'aide du cintre mobile arrière.

SÉCURITÉ

Les pièces en tôle minces, telles que la partie du réflecteur du radiateur et les différentes composantes de ventilation, ont des bords tranchants. Pour éviter toute blessure, l'utilisation de gants de travail est recommandée. L'utilisation de gants empêche également le transfert des huiles corporelles des mains vers la surface du réflecteur.

INTRODUCTION

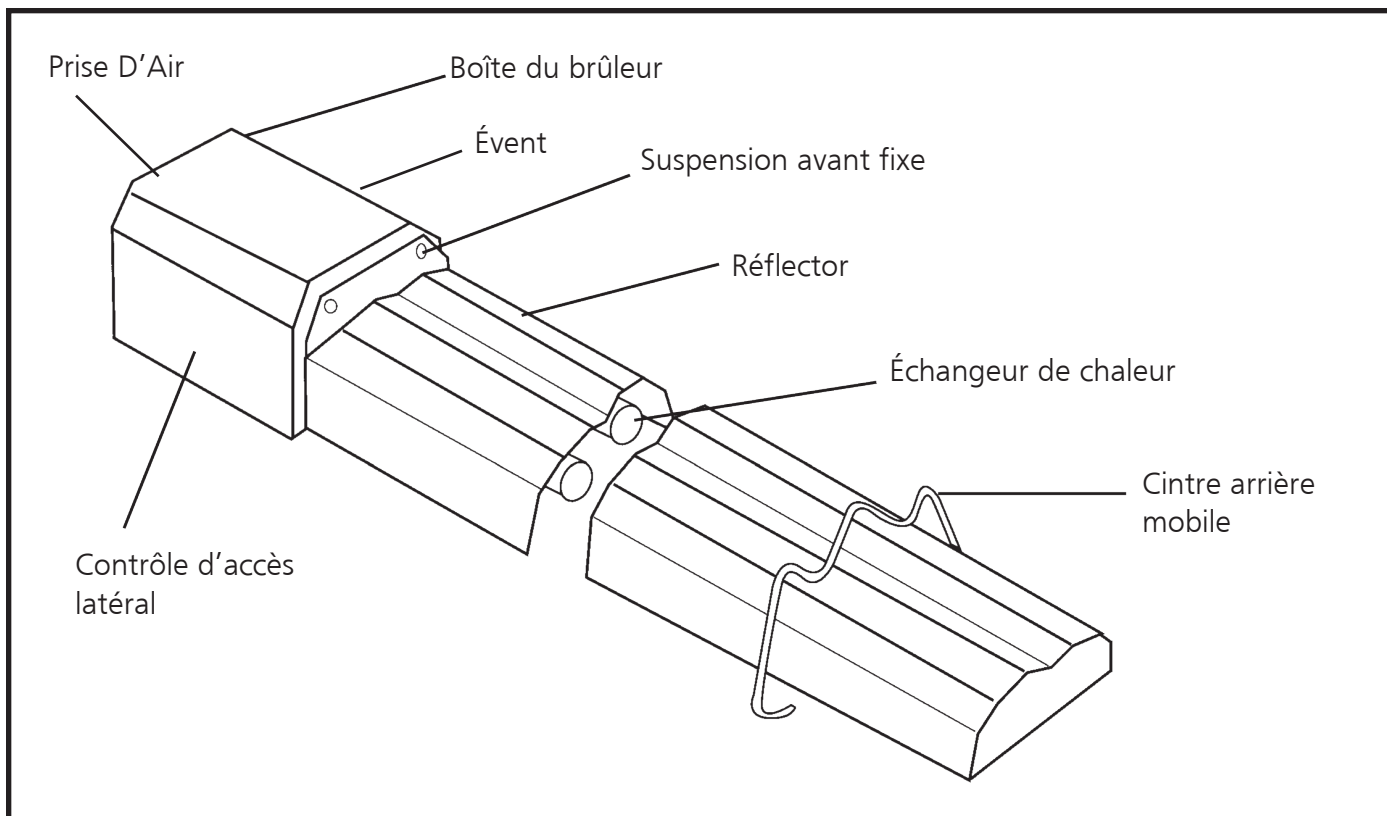
À PROPOS DU RADIATEUR

Le 45 GSP est un radiateur à faible intensité assemblé en usine et fonctionnant au gaz. Le système a été conçu pour une installation facile et vous fournira des années de fonctionnement économique sans problème de fonctionnement. Non seulement la chaleur infrarouge est efficace, elle fournit également les conditions les plus confortables dans les zones ouvertes, telles

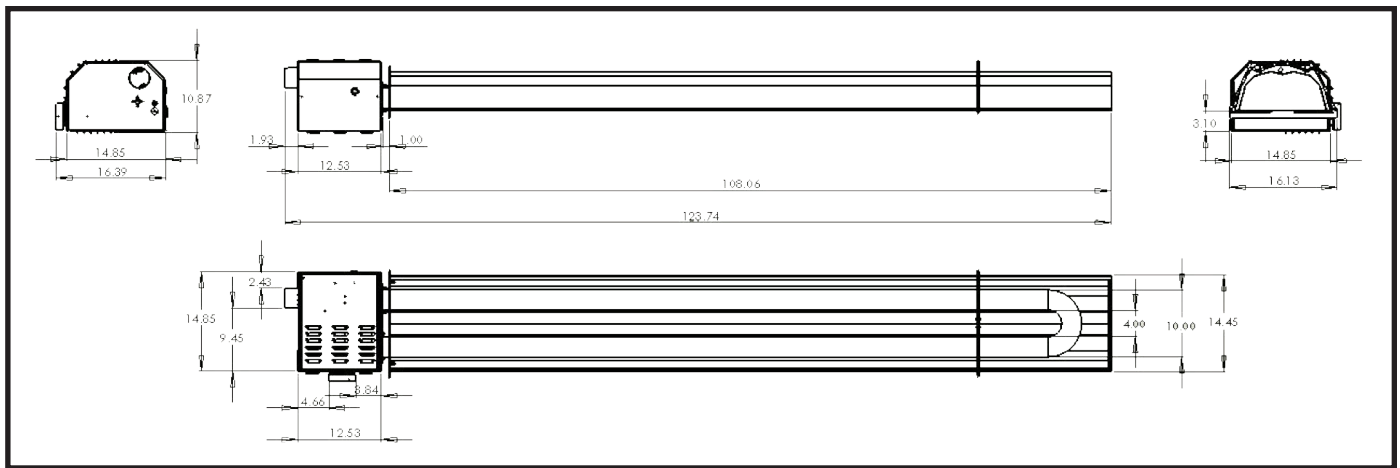
que les ateliers. Alimenté au gaz signifie qu'il utilise une combustion propre de gaz naturel ou de propane. À faible intensité signifie que la surface rayonnante du tube échangeur de chaleur n'est pas rouge. Au lieu de cela, elle fonctionne à une température plus basse (moins de 537 °C (1000 °F)) et émet de l'énergie de moindre intensité par 30 cm² (1 pi²) de surface chauffante. La température et les niveaux d'intensité plus bas sont dans la fourchette qui s'avère la plus efficace pour établir et maintenir un niveau de confort personnel. Un réflecteur en aluminium dirige l'énergie rayonnante vers le bas dans la zone occupée. Le radiant fait référence à l'énergie rayonnée par le dispositif de chauffage du tube. Parce que l'énergie est sous la forme de rayons infrarouges, elle ne chauffe pas directement l'air. Au lieu de cela, les rayons chauffent des objets tels que les planchers, les voitures, les machines et les personnes. Les objets chauds, à leur tour, font chauffer l'air. Ces caractéristiques combinées sont la clé du confort exceptionnel et de l'économie de carburant du dispositif de chauffage.

ACCESSOIRES DISPONIBLES

F102848	Kit D'évent Vertical De Catégorie I
F102860	Kit D'évent Vertical De Catégorie III
F102859	Kit Décoratif D'oeuf De Caisse



Boîte du brûleur	Contient les composantes électriques (c.-à-d. moteur du ventilateur, transformateur de puissance, etc.) et les composantes de distribution de gaz (c.-à-d. valve de gaz, etc.) qui font fonctionner le radiateur. Il n'y a aucun élément réparable par les propriétaires dans cette boîte.
Suspension avant fixe	Fournit un support rigide et une surface de montage pour le réflector. Des trous sont prévus dans les coins supérieurs de la cloison pour recevoir le matériel de suspension nécessaire pour l'installation du dispositif de chauffage.
Réflector	Le réflector est fait d'aluminium formé et réfléchit l'énergie radiante vers le bas à l'espace devant être chauffé.
Échangeur de chaleur	Un tube en forme de U à travers lequel passent les produits chauffés de la combustion.
Cintre arrière mobile	Fournit un support pour l'échangeur de chaleur et le réflector à l'extrémité qui est la plus éloignée de la boîte de brûleur. Le cintre peut être déplacé (dans une certaine mesure) pour permettre la suspension de l'unité.
Contrôle d'accès latéral	À être retiré uniquement par un entrepreneur agréé. Retirer cette porte de service donne accès aux composantes de distribution électrique et de gaz.
Prise D'Air	Accepte le conduit d'admission d'air de combustion de 7,6 cm (3 po) de diamètre qui fournit l'air frais au brûleur.
Évent	Accepte le conduit d'air de ventilation qui transporte des produits de combustion devant être évacués vers l'extérieur.
Raccord NPT – 1,2 cm (½ po)	Point auquel l'alimentation en gaz est reliée à l'élément chauffant.
Fil d'alimentation	Comprend une prise à trois broches qui doit être connectée à une sortie de plafond à trois broches associée et correctement mise à la terre.



Principales Précisions			
N° de modèle	BTU/h	Poids	Longueur
GSP45	45,000 (13.2 kW)	41.3 kg (91 livres)	3.12 m (10 pi 3 pouces)

CARACTÉRISTIQUES DU RADIATEUR

Électrique	Tension	120V	
	Connexion	3 broches moulées	
Entrée de Gaz	Connexion	1,2 cm (1/2 po) male NPT	
	Gaz Naturel	Minimum	entrée 12,7 cm (5,0 po) de colonne d'eau
		Maximum	entrée 26,6 cm (10,5 po) de colonne d'eau
	Gaz Propane	Minimum	entrée 28 cm (11,0 po) de colonne d'eau
Maximum		entrée 33 cm (13,0 po) de colonne d'eau	
Pression du Collecteur	Gaz Naturel	10,1 cm (4 po) de colonne d'eau	
	Gaz Propane	25,4 cm (10 po) de colonne d'eau	

CARACTÉRISTIQUES DE L'ÉVENT

Exigences D'admission D'Air / Ventilation	Longueur	Minimum	91 cm (3 pi)
	Longueur	Maximum	7,6 m (25 pi)
	Diamètre du tuyau d'admission		7.62 cm (3 po)
	Diamètre du tuyau d'évent		10,16 cm (4 po)

Où peut-on installer le radiateur?

Le tube radiant GSP est destiné à être installé dans les endroits suivants :

- entrées
- hall et lobby
- hangars d'avions (voir la section 2 pour les restrictions)
- garages publics (voir la section 2 pour les restrictions)
- serres
- ateliers

Où ne peut-on pas installer le radiateur?

Le tube radiant GSP n'est pas destiné à être installé dans les endroits suivants :

- Aires résidentielles ou de repos
- Sous-sols

Responsabilité de l'installateur

Le tube radiant GSP, ainsi que le gaz et l'alimentation électrique, et la ventilation du radiateur doivent être installés conformément aux consignes et aux codes applicables. Seules les entreprises (ou personnes) qualifiées pour ce type de travail devraient installer le système. Consultez les inspecteurs du bâtiment locaux et les commissaires des incendies pour les dernières consignes.

Utilisez les informations contenues dans ce manuel ainsi que les codes et règlements cités pour effectuer l'installation. L'installateur doit fournir tous les matériaux nécessaires qui ne sont pas fournis en tant qu'équipement standard. C'est aussi la responsabilité de l'installateur de voir à ce que les matériaux et les méthodes d'installation utilisés résultent en un travail qui est en apparence dans les règles de l'art et en conformité avec tous les codes et exigences applicables à ce manuel. L'installateur doit remettre ce manuel au propriétaire.

Les dégagements indiqués par rapport aux matériaux combustibles (p. 9) représentent une température de surface de 32° C (90° F) supérieure à la température ambiante. Les matériaux de construction ayant une faible tolérance à la chaleur (tels que les plastiques, les revêtements extérieurs en vinyle, toile, tricouches, etc.) peuvent être soumis à une dégradation à des températures plus basses. Il est de la responsabilité de l'installateur de s'assurer que les matériaux adjacents sont protégés de la dégradation.

PLANIFICATION

Générale

Cette section fournit les informations suivantes:

- Définit les exigences de gaz, électriques et de ventilation pour le tube radiant GSP.
- Définit les normes nationales et les codes applicables qui s'appliquent aux exigences de gaz, électriques et de ventilation.
- Définit les normes nationales et les codes applicables qui s'appliquent aux installations non résidentielles.

Exigences de service de gaz:

Type de gaz

Le type de gaz figurant sur la plaque signalétique doit être le type de gaz utilisé. L'installation doit se conformer aux codes locaux et aux recommandations de la compagnie de gaz locale. États-Unis : Reportez-vous au National Fuel Gas Code, ANSI Z223.1 - dernière révision (même que la norme NFPA Bulletin 54). Canada : Reportez-vous à Can 1-B149.1 : Codes d'installation pour les appareils à gaz.

Lignes d'alimentation en gaz

La taille des lignes d'approvisionnement en gaz doit être conforme aux codes locaux et aux recommandations de la compagnie de gaz locale. États-Unis : Reportez-vous à National Fuel Gas Code, ANSI Z223.1 - dernière révision (même que la norme NFPA Bulletin 54). Canada : Reportez-vous à la norme CAN 1-B149.1 : Codes d'installation pour les appareils à gaz. Un robinet branché TNP de 0,12 cm (1/8 po) doit être installé sur la connexion de ligne de gaz directement en amont du radiateur qui est le plus éloigné du compteur d'alimentation en gaz. Le robinet est nécessaire pour vérifier la pression du système de gaz.

Compteur et ses accessoires

Le compteur et ses accessoires doivent être suffisamment grands pour prendre en charge tous les radiateurs en cours d'installation ainsi que toute autre charge connectée. La conduite de gaz qui alimente le système doit être suffisamment grande pour fournir le gaz nécessaire à une chute de pression maximale de 1,2 cm (1/2 po) de colonne d'eau. Lorsque les conduites de gaz ne sont pas incluses dans le plan d'aménagement, le fournisseur de gaz local aidera généralement à la planification de la tuyauterie de gaz.

Exigences de service électriques:

Exigences du système

Le tube radiant GSP nécessite qu'une prise électrique à trois broches soit installée à 45,7 cm (18 po) de la surface arrière de la boîte du brûleur du radiateur. Il est recommandé que la sortie du radiateur soit montée au plafond et soit sur un circuit dédié. **NE PAS** utiliser une rallonge électrique pour faire fonctionner le radiateur. Puissance du radiateur : 120 VAC, 60 Hz, monophasé

⚠ AVERTISSEMENT:

Risque de choc électrique.

Branchez le radiateur dans une prise de plafond mise à la terre à trois broches. Ne pas couper ou enlever la broche de mise à la terre de cette fiche.

Ne pas utiliser une rallonge. Le non-respect de ces instructions entraînera la mort ou un choc électrique.

Mise à la terre

Le radiateur doit être relié à la terre conformément aux codes suivants : États-Unis : Reportez-vous au National Electrical Code ANSI/NFPA-70 - dernière révision. Le câblage doit être conforme au Code national de l'électricité et aux ordonnances locales les plus récentes. Canada : Se référer au Code canadien de l'électricité, CSA C22.1, Partie 1 - dernière révision.

Exigences de ventilation:

Exigences du système

Le tube radiant GSP doit être installé avec un kit de ventilation ou l'un des kits de ventilation disponibles en option chez Enerco. **NE PAS** brancher cet appareil à une cheminée séparée. Les appareils à gaz ne doivent pas être raccordés à un conduit de cheminée desservant un autre appareil séparé de combustion à combustible solide. **NE PAS** joindre l'évent à n'importe quel autre appareil à combustion.

Exigences D'admission D'Air / Ventilation	Longueur	Minimale	0,91 m (3 pi)
	Longueur	Maximale	7,62 m (25 pi)

⚠️ AVERTISSEMENT:

Danger de monoxyde de carbone.
Le radiateur doit avoir une sortie à l'extérieur.
Utiliser les matériaux inclus.
Le non-respect de ces instructions entraînera la mort ou des blessures.

Codes de ventilation

L'emplacement, la taille, l'installation et les sorties des événements, ainsi que les distances de sécurité minimales requises lors de la pénétration des murs combustibles, doivent se conformer aux codes locaux et aux recommandations de la compagnie de gaz locale.
États-Unis : Reportez-vous à National Fuel Gas Code, ANSI Z223.1 - dernière révision (même que la norme NFPA Bulletin 54). Canada : Reportez-vous à Can 1-B149.1 : Codes d'installation pour les appareils à gaz.

Installations non résidentielles:

Hangars d'avions

Le tube radiant GSP peut être utilisé dans certaines zones de hangars d'avions. Les installations dans les hangars d'avions doivent être en conformité avec les codes suivants : États-Unis : Reportez-vous à la Norme pour hangars d'avions, ANSI/NFPA-409 - dernière révision. Canada : Reportez-vous à la norme CGA B149-1M91.

Les radiateurs dans les zones de stockage ou de service pour aéronefs doivent être installés à un minimum de 3 m (10 pi) au-dessus de la surface supérieure des ailes ou des enclos moteurs du plus haut des avions qui peut être logé dans le hangar. (Cela devrait être mesuré à partir du fond du radiateur jusqu'au dessus des ailes ou des enclos moteurs, dépendamment duquel des deux est le plus haut par rapport au sol.)

Dans les autres sections des hangars d'avions, tels que les magasins ou les bureaux, les radiateurs doivent être installés à un minimum de 2,4 m (8 pi) au-dessus du sol.

Les radiateurs installés dans des hangars d'avions doivent être situés de façon à ne pas être exposés à des dommages par des avions, des grues, des échafaudages ou d'autres objets mobiliers.

Lorsqu'installés sur palans, les distances de sécurité minimales requises par rapport aux matériaux combustibles doivent être maintenues à partir du point le plus élevé des matières combustibles placées sur les palans.

Garages publics

Le tube radiant GSP peut être utilisé dans les garages publics. Les installations dans les garages publics doivent être en conformité avec les codes suivants : États-Unis : Normes pour les structures de stationnement NFPA-88A - dernière révision, ou Normes pour garages de réparation, norme NFPA-88B - dernière révision. Canada : Reportez-vous à Can 1-B149.1 : Codes d'installation pour les appareils à gaz.

Les radiateurs doivent être installés à un minimum de 2,4 m (8 pi) au-dessus du sol. Les distances de sécurité minimales requises par rapport aux matériaux combustibles doivent être maintenues par les véhicules garés en dessous du radiateur.

Lorsqu'installés sur palans, les distances de sécurité minimales requises par rapport aux combustibles doivent être maintenues à partir du point le plus élevé des matières combustibles placées sur le palan.

Endroits dangereux

Là où il y a possibilité d'exposition à du matériel en suspension dans l'air ou de la vapeur de combustible, consultez le commissaire des incendies local, la compagnie d'assurance incendie ou les autres autorités pour obtenir l'approbation de l'installation proposée.

INSTALLATION

⚠️ AVERTISSEMENT:

L'installation du radiateur implique plusieurs étapes. NE PAS tenter de faire fonctionner le radiateur jusqu'à ce que TOUTES les étapes de l'installation soient complétées. Le non-respect de cet avertissement causera la mort, des blessures ou des dommages à la propriété.

Équipement de Sécurité

L'utilisation de l'équipement de sécurité suivant est recommandée pour l'installation du tube radiant GSP:

- Gants de protection
- Lunettes de sécurité

Outils d'installation

Les outils nécessaires pour l'installation du tube radiant GSP comprennent au minimum les éléments suivants :

- Ruban à mesurer
- Perceuse électrique (avec un assortiment de mèches)
- Clés à pipe - 2 requis
- Tournevis
- Agrafeuse
- Niveau
- Pincés

Matériel d'installation

Matériel requis pour l'installation du tube radiant GSP comprend au moins les éléments suivants :

- Scellant silicone à haute température
- Crochets de suspension (capable de supporter 68 kg (150 livres) chacun)
- Vis à métal

Les éléments suivants peuvent être requis pour votre installation particulière:

- Tuyau de vidange en plastique
- Tuyau de ventilation supplémentaire
- Cornières pour toitures
- Collet de pluie
- Chaîne - 2/0, ou équivalent
- Crochets en S (si nécessaire)

Choisir l'emplacement du radiateur

Lors de la sélection d'un emplacement de montage approprié pour le tube radiant GSP, il est important de considérer les points suivants :

1. Le radiateur doit répondre à l'exigence de hauteur minimale de montage de 2,1 m (7 pi) au-dessus du sol. Pour les hangars d'avions et garages publics, le chauffage doit satisfaire à l'exigence hauteur minimale de montage de 2,4 m (8 pi) au-dessus du sol.
2. L'emplacement proposé de montage permet les distances de sécurité minimales requises par rapport aux combustibles (les combustibles comprennent les combustibles à véhicule, le charbon de bois et les objets, les liquides et les vapeurs inflammables).
3. L'emplacement proposé de montage du radiateur ne doit pas restreindre les mouvements des portes de passage ou des fenêtres.
4. L'emplacement proposé ne doit pas interférer avec le fonctionnement de la porte de garage basculante.
5. L'emplacement proposé fournira la meilleure couverture de la surface totale à chauffer.
6. L'emplacement proposé doit fournir une aération adéquate de combustion et de ventilation.
7. L'emplacement proposé doit prévoir un accès suffisant pour le service et le bon fonctionnement.
8. Il faut prendre en compte les types de véhicules qui seront stationnés dans le garage (voitures, camionnettes, bateaux, véhicules récréatifs, etc.).
9. L'emplacement proposé doit prévoir les distances de sécurité minimales requises par rapport aux combustibles à l'égard des véhicules stationnés dans le garage.
10. L'emplacement proposé permettra aux services requis (ex : gaz et électrique) et de ventilation d'être installés (la longueur du conduit maximale est de 7,6 m (25 pi)).
11. Des dégagements suffisants seront en place pour permettre l'entretien.
12. Des éléments structurels aériens (chevrons, poutres, etc.) sont accessibles pour la fixation du dispositif de chauffage.
13. L'emplacement doit permettre un dégagement suffisant autour des ouvertures d'air de la chambre de combustion.

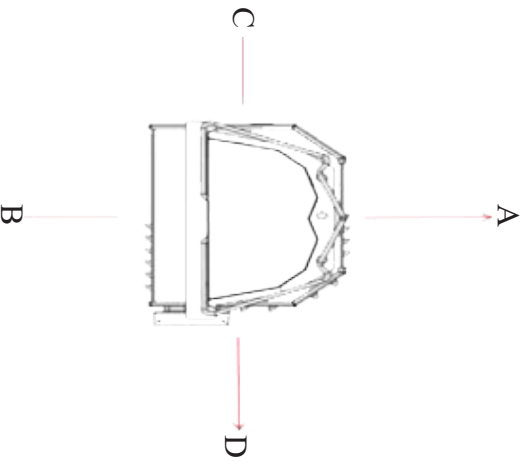
Distances de sécurité minimales requises par rapport aux combustibles

Dans tous les cas, les distances minimales requises de sécurité par rapport aux combustibles doivent être maintenues. Les combustibles sont des matériaux qui peuvent prendre feu et comprennent de nombreux éléments communs tels que le bois, le papier, le caoutchouc, les tissus, etc. De tels matériaux combustibles, et toute autre matière combustible, ne doivent pas être placés plus près d'un côté ou de la base du tube radiant GSP que les distances indiquées dans les diagrammes à la page suivante. Si vous avez des questions concernant les distances de sécurité minimales requises par rapport aux combustibles, ou sur les diagrammes associés, veuillez contacter votre installateur, représentant ou distributeur Enerco, de Enerco Technical Products,

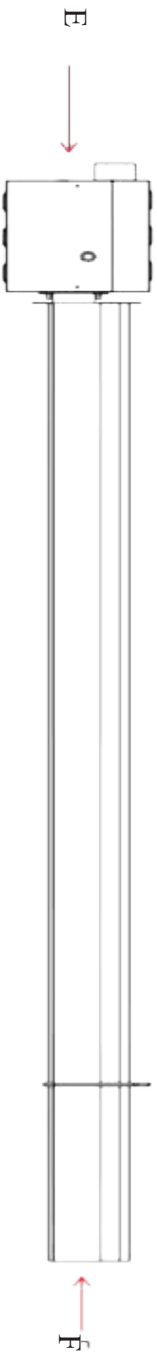
pendant les heures normales d'affaires, qui sont du lundi au vendredi, de 8 h 15 à 4 h 45, heure de l'Est.

Téléphone: 866-466-2194

Les dégagements par rapport aux véhicules stationnés sous le radiateur doivent être respectés. Des panneaux doivent être affichés pour identifier toute violation possible des distances de dégagement par rapport au radiateur dans la zone des véhicules. La hauteur maximale admissible de gerbage dans les zones de stockage doit être identifiée par des signes ou des marques appropriées. Les illustrations et le tableau sur la page suivante précisent les distances de sécurité minimales requises par rapport aux combustibles.

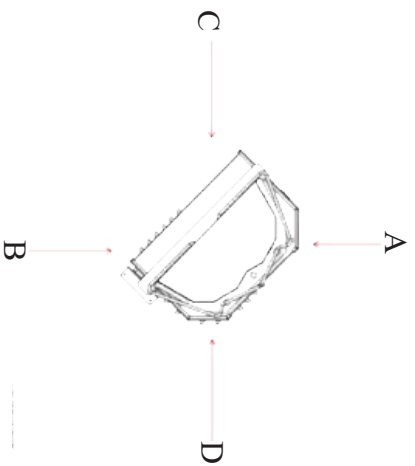


A	B	C	D	E	F
6"	54"	24"	24"	24"	6"
(15.24 cm)	(137.16 cm)	(60.96 cm)	(60.96 cm)	(60.96 cm)	(15.24 cm)

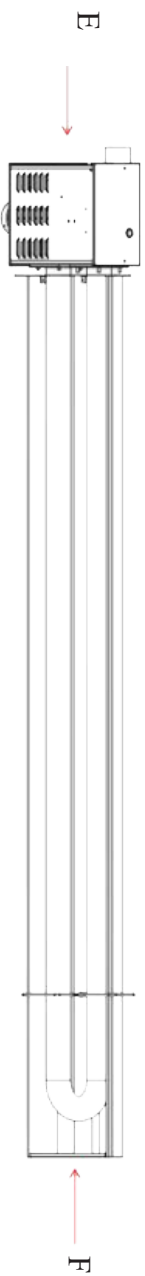


Horizontal Installations

Remarque: La cote «B» indique les distances de sécurité minimales requises par rapport aux matériaux combustibles. Elle n'indique PAS la hauteur de montage requise. La hauteur de montage minimale est de 7 pieds, sauf pour les hangars d'avions et les garages publics.



A	B	C	D	E	F
6"	36"	36"	6"	24"	6"
(15.24 cm)	(91.44 cm)	(91.44 cm)	(15.24 cm)	(60.96 cm)	(15.24 cm)



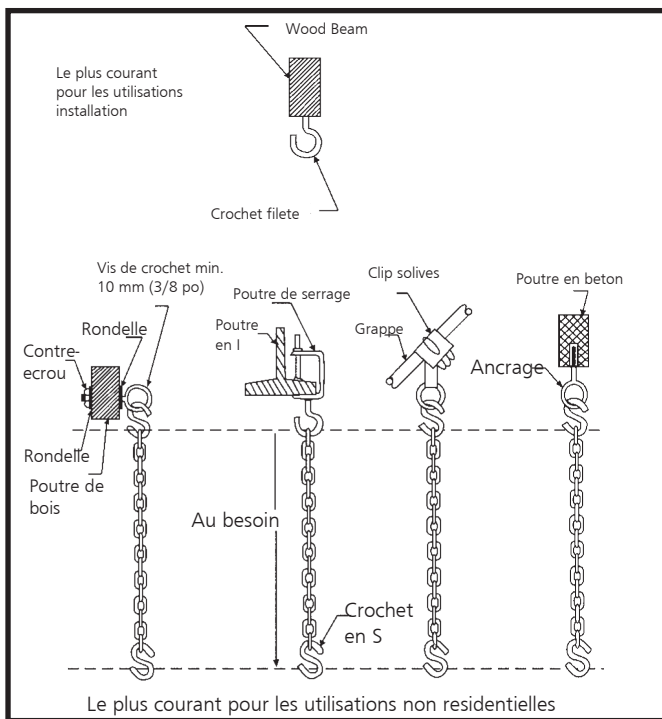
45 ° Tilted Installations

Suspendre le Radiateur

Emplacements de montage existent dans une variété de tailles, de formes, de styles et de méthodes de construction. En raison de toutes ces variables, il n'est pas possible d'inclure le matériel de montage avec le radiateur GSP. Bien que les chevrons et solives en bois soient les éléments de structure aériens les plus courants dans les applications de garage résidentielles, d'autres configurations structurelles sont également illustrées ci-dessous.

Dans les méthodes de suspension typiques illustrées ci-dessous, les longueurs de chaîne sont représentées en tant que moyen pour abaisser le radiateur. Cependant, pour la plupart des utilisations installation, il peut ne pas être nécessaire d'abaisser le radiateur. Au lieu de cela, il peut être possible de visser un matériel de type crochet dans la partie inférieure d'une poutre. Le crochet exposé peut engager directement un des deux trous de montage dans le dispositif de suspension avant fixe, tandis que l'autre crochet peut engager l'une des trois boucles de suspension du cintre arrière mobile.

Quelle que soit la méthode de suspension sélectionnée, les deux points de suspension requis doivent être capables de supporter un minimum de 68 kg (150 livres) chacun.



Orientation du radiateur

Le tube radiant GSP peut être installé dans n'importe laquelle des trois orientations indiquées ci-dessous. Sélectionnez l'orientation de chauffage qui est la mieux adaptée à l'emplacement que vous avez choisi pour votre radiateur

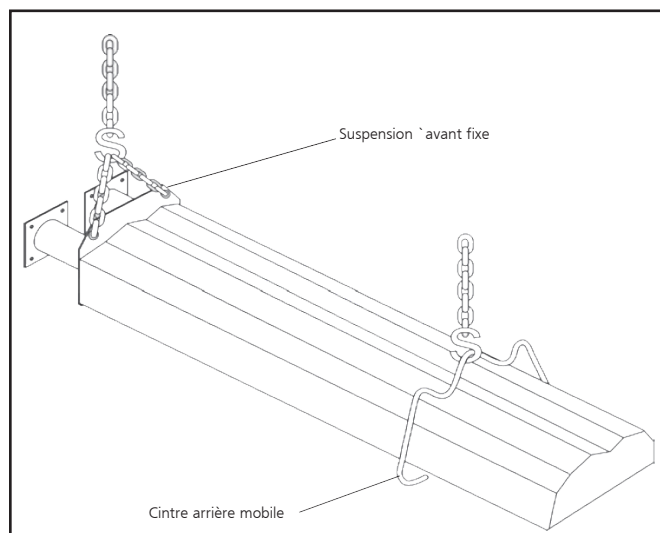
- Horizontalement
- Incliné à 45° vers la droite
- Incliné à 45° vers la gauche

REMARQUE: Si le radiateur est évacué par le toit, assurez-vous d'examiner attentivement la partie concernant l'option d'installation sur le toit de cette section. Assurez-vous que l'emplacement sélectionné de montage saura satisfaire les paramètres de mesure (la longueur de l'évent ne doit pas dépasser 7,6 m (25 pi)) décrits dans cette section.

Installation Horizontale

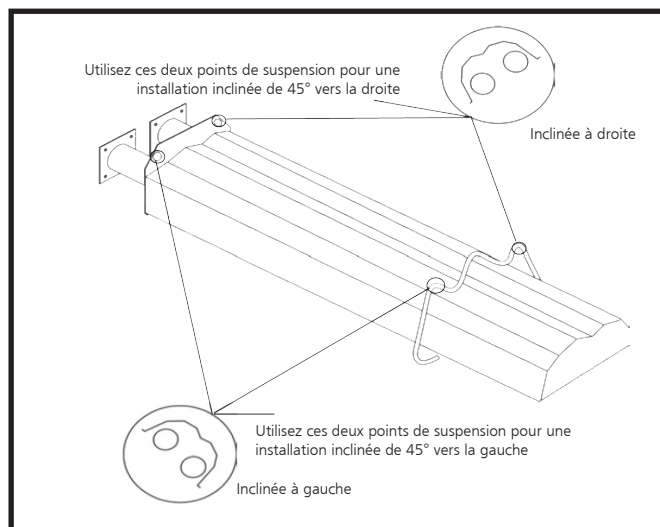
1. En utilisant des crochets en S, joignez deux longueurs égales d'une chaîne 2/0, ou l'équivalent, aux deux orifices supérieurs dans la suspension avant fixe.
2. Glisser l'extrémité libre des deux chaînes dans un autre crochet en S, tel qu'illustré.
3. La partie sommitale du crochet en S peut maintenant être installée sur le matériel de suspension que vous avez installé pour la suspension de l'unité. Une longueur supplémentaire de la chaîne peut désormais être installée, si nécessaire, pour abaisser le radiateur.

REMARQUE: La partie du crochet du matériel de suspension de type crochet peut engager directement les deux trous dans le dispositif de suspension avant fixe et la boucle centrale du cintre arrière mobile.



Installation inclinée à 45°

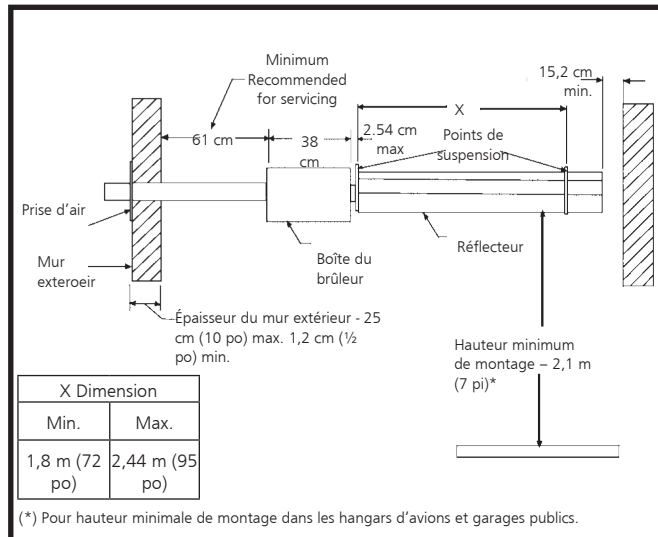
1. Déterminer si le radiateur sera incliné à gauche ou à droite. Les points de suspension avant et arrière devront être sélectionnés sur le même côté (gauche ou droite) de l'appareil, comme indiqué ci-dessous.
2. Attachez les crochets et/ou les chaînes de suspension aux points de suspension choisis du radiateur.



Typical Installation

L'illustration suivante montre une installation typique du tube radiant GSP. Le plan d'installation représentée comporte un arrangement de ventilation horizontal droit et précise l'espace minimum requis pour l'entretien, ainsi que la plage autorisée de distances entre les deux points de suspension.

Les arrangement détaillés de ventilation sont illustrés dans les parties suivantes de la présente section.



VENTILATION

- La ventilation doit être en conformité avec la dernière édition du National Fuel Gas Code (ANSI Z223.1, dernière édition), ou avec l'autorité compétente.
- Un tuyau métallique mural non-isolé ne doit pas être utilisé à l'extérieur dans des climats froids pour la ventilation de ces radiateurs tel que spécifié à l'article 7.8 de la norme ANSI Z223.1/NFPA 54 du National Fuel Gas Code, dernière édition.
- Pour l'installation d'un tuyau métallique à paroi unique à travers un mur extérieur combustible, reportez-vous à la dernière édition du National Fuel Gas Code ou à l'autorité compétente.
- Dans les régions du pays où les vents dominants sont systématiquement plus élevés que 64 km/h (40 mph), il peut être nécessaire de terminer le système de ventilation au-dessus du niveau du toit.

On peut trouver les références de ventilation des autres équipements dans le volume du Manuel de l'ASHRAE.

Lignes directrices générales

Indépendamment de l'arrangement de ventilation qui sera connecté à l'appareil de chauffage, les lignes directrices générales suivantes de ventilation doivent être suivies :

1. L'installation doit être conforme aux codes locaux ou, en l'absence de codes locaux, aux codes nationaux sur les gaz combustibles, ANSI Z223.1/NFPA 54, code d'installation du gaz naturel et du propane, CSA B149.1 pour le Canada.
2. Les puissances d'entrée de l'appareil sont basées sur l'exploitation au niveau de la mer et ne doivent pas être changées en dessous de 609,9 m (2000 pieds) d'altitude. Pour un fonctionnement à des altitudes de plus de 609,9 m (2000 pieds), l'appareil est conçu pour les conditions de réduction de puissance spécifiques au

Canada et aux États-Unis.

3. L'appareil et son robinet principal de gaz doivent être déconnectés du système d'alimentation en gaz pendant tout test de pression de ce système à des pressions d'essai supérieures à 0.03 kg/cm² (1/2 lv/po²) (3,5 kPa.). L'appareil doit être isolé de la canalisation de gaz en fermant la valve d'arrêt de l'équipement pendant les essais de pression du système d'alimentation en gaz à des pressions égales ou inférieures à 0.03 kg/cm² (1/2 lv/po²) (3,5 kPa.). (AVERTISSEMENT) Les matériaux et objets stockés dans cet appareil de chauffage seront soumis à la chaleur radiante et pourraient être sérieusement endommagés.
4. Toutes les sections de ventilation horizontales doivent avoir une pente en provenance du radiateur à un taux de 0,6 cm (1/4 po) par 30 cm (1 pi).
5. La longueur totale du tuyau de ventilation (les conduits horizontaux et verticaux combinés, ainsi que la longueur de la sortie extérieure) ne doit pas dépasser 7,6 m (25 pi), et ne doit pas être inférieure à 1,5 m (5 pi).
6. Le terminal de ventilation, monté à l'extérieur du bâtiment, ne doit pas être situé au-dessus d'un passage. Le condensat produit pendant le fonctionnement du radiateur pourrait couler sur le trottoir et pourrait former de la glace pendant la saison froide.
7. Assurez-vous que l'installation de ventilation est en conformité avec tous les codes locaux et les recommandations de la compagnie de gaz locale.
8. **NE PAS** brancher cet appareil à une cheminée séparée, et **NE PAS** joindre l'évent avec tout autre appareil de combustible. Les appareils à gaz ne doivent pas être raccordés à un conduit de cheminée desservant un autre appareil de combustible solide séparé.
9. Maintenir un dégagement d'un minimum de 2,5 cm (1 po) par rapport aux combustibles autour de tous les tuyaux de ventilation.
10. Scellez toutes les connexions des tuyaux de ventilation avec du mastic silicone à haute température et sécurisez chaque connexion avec trois vis à tête.

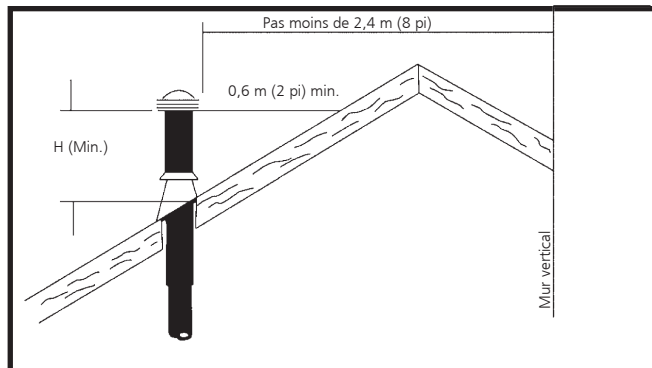
A. Verticale à travers le toit

Ce radiateur, lorsqu'il est ventilé verticalement, doit être installé avec le système de ventilation approuvé. Pour les installations d'évacuation verticales, le tube chauffant GSP est certifié comme un appareil de catégorie I.

NOTE: Pour les applications où le chauffage ne doit pas être reliés à une cheminée séparée, il doit être installé en utilisant le système de ventilation tel que spécifié ci-dessous.

1. Lorsque la ventilation du radiateur s'effectue vers l'extérieur de la bâtisse à travers un toit, utilisez un tuyau de 7,6 cm (3 po) de diamètre à paroi unique au tube métallique. Ce dernier doit être en tôle galvanisée ou un autre matériel incombustible approuvé, résistant à la corrosion, comme indiqué par les codes d'état ou locaux.
2. Un évent passant par un toit combustible doit passer à travers une bague de dégagement de toit de 5 cm (2 po) de dégagement. Une ventilation de double paroi de type B doit être utilisée pour la partie du système de ventilation qui passe à travers le toit. Un capuchon d'évent approuvé (tel que Leslie « VersaCap » de type B) doit être fixé à l'extrémité du conduit.

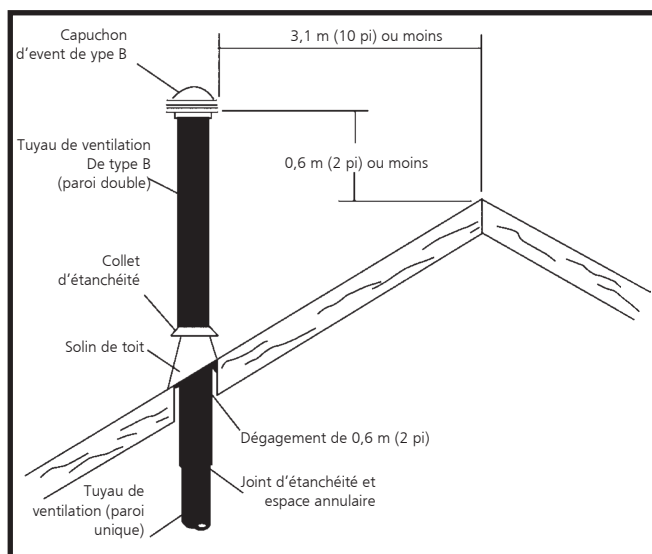
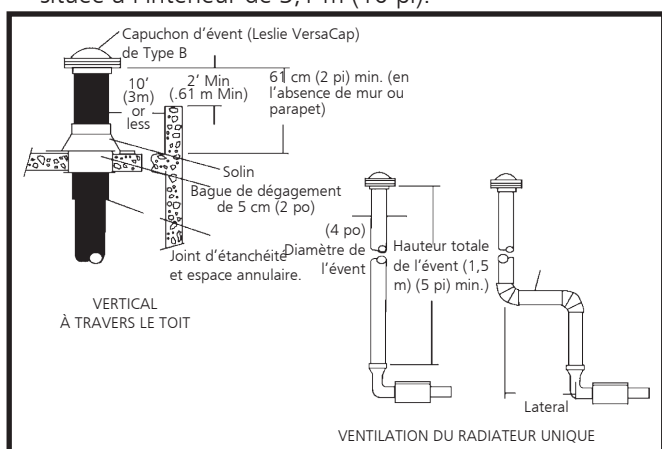
- La longueur maximale équivalente du tuyau de ventilation doit être soigneusement observée. Un interrupteur de sécurité dans le radiateur est conçu pour arrêter le radiateur avant qu'une restriction de fumée excessive ne provoque une mauvaise combustion. Longueur minimale équivalente = 0,91 m (3 pi) Longueur maximale équivalente = 7,6 m (25 pi)
- Les joints entre les sections de la tuyauterie doivent être fixés par des vis en tôle ou d'autres moyens approuvés. Les joints le long de la tuyauterie et les articulations entre les tronçons de tuyauterie doivent être scellés pour empêcher une fuite potentielle de gaz de combustion dans la bâtisse. Utilisez un produit d'étanchéité RTV 100 % en caoutchouc de silicone adhésif adapté à 260 °C (500 °F).
- Tous les segments du conduit d'évacuation doivent être soutenus pour éviter qu'ils s'affaissent.
- Lorsque le tuyau de ventilation traverse des zones où la température ambiante est susceptible d'induire la condensation des gaz de combustion, le conduit d'évacuation doit être isolé et un drain de condensation devrait être installé.
- Le dégagement minimal aux matériaux combustibles pour les tuyaux de combustion à paroi simple doit être de 15,2 cm (6 po). Cette distance peut être réduite lorsque le matériau combustible est protégé comme indiqué dans le National Fuel Gas Code ou par l'autorité compétente.
- Le tuyau métallique à paroi simple ne doit pas débiter d'un grenier inoccupé ou d'un espace caché et ne doit pas traverser un grenier, un mur intérieur ou un espace confiné ou à travers tout plancher.
- Un système de ventilation doit se terminer à au moins 0,9 m (3 pi) au-dessus de toute entrée d'air forcée située à l'intérieur de 3,1 m (10 pi).



HAUTEUR MINIMALE DU PLAFOND PAR RAPPORT À L'OUVERTURE DE DÉCHARGE LA PLUS BASSE

Roof Pitch	H Minimum
De plat à 6/12	30 cm (1,0 pi)
De 6/12 à 8/12	46 cm (1,5 pi)
De 8/12 à 10/12	76 cm (2,5 pi)
De 10/12 à 12/12	122 cm (4,0 pi)
De 12/12 à 16/12	183 cm (6,0 pi)
De 16/12 à 20/12	213 cm (7,5 pi)

- Tous les autres événements de gaz doivent aboutir au moins 0,6 m (2 pi) au-dessus du point le plus haut où ils passent à travers le toit et au moins 0,6 m (2 pi) plus haut que n'importe quelle partie d'un immeuble situé à moins de 3,1 m (10 pi), tel qu'indiqué dans l'illustration ci-dessous.



B. SORTIE DE VENTILATION

- La sortie de ventilation doit se terminer au-dessus de la ligne de toit de manière à ce qu'aucune ouverture de décharge ne soit inférieure à 0,6 m (2 pi) horizontalement de la surface du toit. L'ouverture de décharge la plus basse ne sera pas plus proche que la hauteur minimale spécifiée dans le tableau suivant. Ces hauteurs minimales peuvent être utilisées à condition que l'évent ne soit pas à moins de 2,4 m (8 pi) de tout mur vertical ou obstruction semblable.

C. HORIZONTALE À TRAVERS LA PAROI

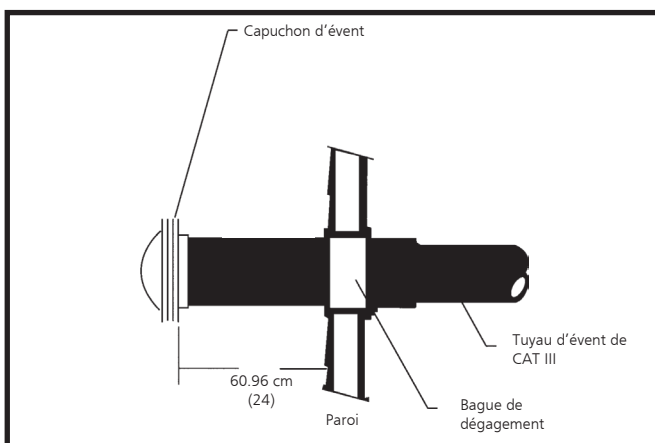
Ce radiateur, lorsqu'il est ventilé horizontale, doit être installé avec le système de ventilation approuvé. Pour les installations d'évacuation verticales, le tube chauffant GSP est certifié comme un appareil de catégorie III.

- Si le radiateur est ventilé vers l'extérieur du bâtiment à travers une paroi latérale, utilisez un tube métallique de 7,6 cm (3 po) de diamètre extérieur à la paroi unique. Il doit être construit en tôle galvanisée ou en

un autre matériau approuvé incombustible et résistant à la corrosion, tel qu'indiqué par les codes étatiques ou locaux.

REMARQUE: Pour minimiser les problèmes associés à la condensation dans les courses longues, le conduit de ventilation peut être isolé.

2. Pour une ventilation horizontale, les longueurs d'évent peuvent être les suivantes :
Longueur minimale équivalente = 0,9144 m (3 pi)
Longueur maximale équivalente = 7.62 m (25 pi)
3. Le système de ventilation horizontale approuvée avec cet appareil se compose du kit de ventilation de paroi latérale (02840) illustré à la page 3.
4. Limiter à deux la quantité des coudes de 90°. Lorsque le tuyau de ventilation se trouve dans une course horizontale, il doit être en pente descendante de 0,6 cm (1/4 po) par 30 cm (1 pi) vers la sortie de ventilation. Le chauffe-eau doit être installé au niveau.
5. Le système de ventilation horizontal ne doit pas aboutir:
 - a) À moins de 1,2 m (4 pi) au-dessous, 1,2 m (4 pi) horizontalement, ou 30 cm (1 pi) au-dessus de toute porte, fenêtre ou entrée d'air par gravité dans le bâtiment. Le fond de la sortie de ventilation doit être situé à au moins 2,1 m (7 pi) au-dessus du sol ou au-dessus des niveaux de neige, tel que déterminé par les codes locaux.
 - b) À moins de 0,9 m (3 pi) d'une entrée d'air de combustion.
 - c) À moins de 0,9 m (3 pi) de toute ouverture du bâtiment ou tout autre régulateur de service de gaz.
 - d) Directement au-dessus des zones où le condensat ou la vapeur pourrait créer une nuisance ou un danger ou être préjudiciable à l'exploitation des compteurs, régulateurs, valves de décharge ou de tout autre équipement de distribution de gaz. Les matériaux de construction doivent être protégés contre les gaz de combustion et les condensats.
6. Dans les régions du pays où les vents dominants sont systématiquement plus élevés que 64 km/h (40 mph), il peut être nécessaire de faire aboutir le système de ventilation au-dessus du niveau du toit.



Radiateurs infrarouges à faible intensité alimentés au gaz naturel

Ventilation/Canalisatio Pour Les Installations Commerciales et Industrielles Exigences générales

Utilisez du ruban téflon ou en aluminium adapté à une température de 287 °C (550 °F) (ruban 3M no 433 ou no 363) ou du mastic silicone RTV.

Le radiateur doit être ventilé conformément à la spécification ANSI Z223.1 - dernière révision. Des informations partielles relatives à cette spécification sont présentées dans la présente section en ce qui concerne la taille et les configurations pour les installations de ventilation. Pour plus d'informations, consultez la norme ANSI Z223.1- dernière révision et les codes locaux applicables. Utilisez les lignes directrices suivantes pour aider à assurer une installation adéquate et sécuritaire de ventilation.

- a) Assurez-vous que la méthode choisie pour la ventilation du radiateur est conforme à tous les codes requis pour chaque emplacement particulier.
- b) La sortie de ventilation du radiateur accepte un tuyau d'évacuation de 7,6 cm (3 po) utilisant un adaptateur de tuyau d'évacuation.
- c) Le radiateur peut être ventilé vers l'extérieur, soit verticalement ou horizontalement.
- d) Si le radiateur doit être ventilé horizontalement :
 1. L'évent doit sortir du bâtiment pas moins de 2,1 m (7 pi) au-dessus du sol lorsqu'il se trouve à côté d'un passage public.
 2. La ventilation doit aboutir au moins 0,9 m (3 pi) au-dessus de toute entrée d'air forcé située à l'intérieur de 3 m (10 pi).
 3. La ventilation doit aboutir au moins 1,2 m (4 pi) au-dessous, 1,2 m (4 pi) horizontalement, ou un 1,2 m (4 pi) au-dessus de toute porte, fenêtre, entrée d'air par gravité dans un bâtiment.
 4. La sortie de l'évent doit être située à au moins douze 30,5 cm (12 po) de toute ouverture par laquelle les gaz de ventilation pourraient entrer dans le bâtiment.
- e) La sortie du terminal de ventilation doit dépasser de tout surplomb combustible.
- f) Si la condensation dans le conduit est un problème, le conduit devrait être raccourci ou isolé.
- g) Pour les spécifications de ventilation, toutes les conditions suivantes doivent être satisfaites:
La longueur maximale équivalente de tuyau de ventilation doit être soigneusement respectée. Un interrupteur de sécurité dans le radiateur est conçu pour arrêter le radiateur avant qu'une restriction de fumée excessive ne provoque une mauvaise combustion.

Longueur minimale équivalente = 0.9144 m (3 pi)

Longueur maximale équivalente = 7.62 m (25 pi)

Limiter à deux la quantité des coudes de 90°. Lorsque le tuyau de ventilation est dans une course horizontale, il doit s'élever d'au moins 0,6 cm (1/4 po) par 30 cm (1 pi) du début du système de ventilation vers la bouche de ventilation.

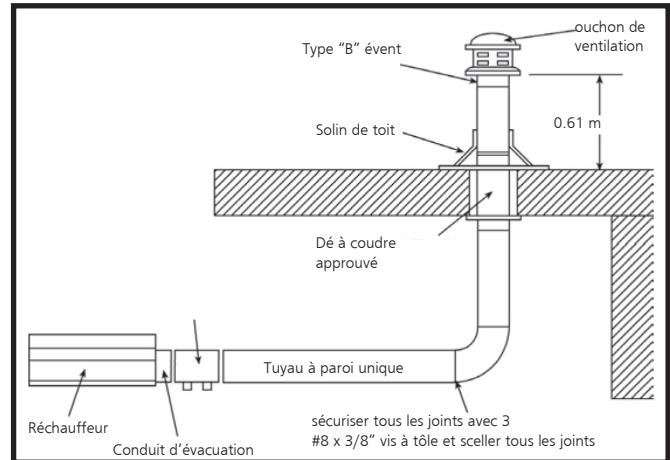
Autres arrangements/Équipements de ventilation en option

Ventilation horizontale

Ce radiateur, lorsqu'il est ventilé horizontalement, doit être installé avec le système de ventilation approuvé. Pour les installations d'évacuation verticales, le tube chauffant GSP est certifié comme un appareil de catégorie III.

- Pour les murs combustibles ou incombustibles, utilisez les kits de ventilation à la page 3. Suivez les instructions du fabricant pour une installation de ventilation adéquate.
- Un tuyau d'évacuation de 10,16 cm (4 po) de diamètre est requis. Une longueur maximale de 7,6 m (25 pi) est recommandée.
- Tous les joints de combustion doivent être scellés à l'aide d'un produit approprié, tel que General Electric 106 RTV ou le scellant adhésif à très haute température en silicone Permatex Form-A-Gasket.
- Le terminal de l'évent doit être installé à une hauteur suffisante pour empêcher son obstruction par la neige.
- Les matériaux de construction doivent être protégés de la dégradation par les gaz de combustion.

- Une bague de dégagement isolé peut être nécessaire pour traverser des structures combustibles (vérifiez les codes locaux).
- Tous les joints de combustion doivent être scellés à l'aide de produits appropriés (voir la recommandation pour la ventilation horizontale).



Air Pour La Combustion

Si l'air de combustion d'intérieur doit être fourni à une zone hermétiquement fermée, une ouverture de zone libre de 2,5 cm² (1 po²) doit être fournie au-dessous du radiateur pour chaque 1000 Btu/h de débit thermique.

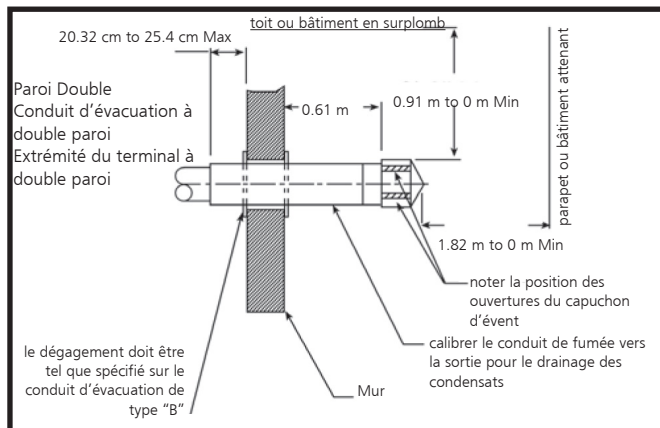
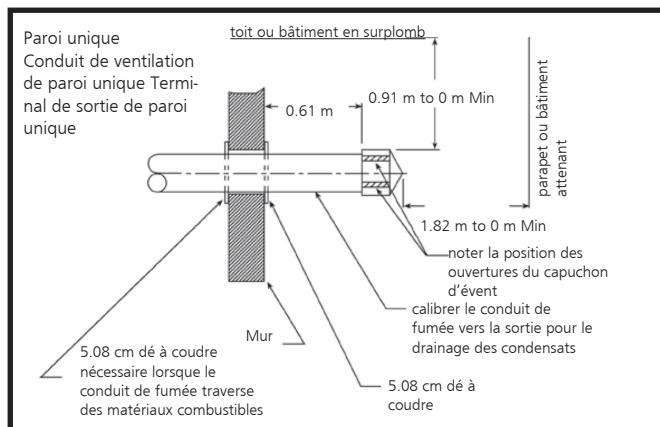
Lorsque l'air extérieur est utilisé, l'ouverture en dessous du radiateur doit être d'un centimètre carré de surface libre pour chaque 4000 Btu/h de débit thermique. Dans les atmosphères contaminées ou les zones à forte humidité, une option d'air extérieur pour la combustion est recommandée.

Un dégagement adéquat autour de la plaque perforée à air frais doit être respecté en tout temps. Dans les grandes zones ouvertes des bâtiments, l'infiltration est normalement suffisante pour fournir l'air pour la combustion.

Air Extérieur Direct Pour La Combustion

L'air de combustion extérieur doit être fourni directement au radiateur lorsque le bâtiment est soumis à une pression négative ou à des contaminants présents dans l'air du bâtiment. Ces contaminants comprennent les peintures, les solvants, les vapeurs corrosives ou les autres particules étrangères éventuelles qui pourraient causer des dommages au radiateur ou provoquer une mauvaise combustion.

L'air de combustion extérieur peut être amené directement au radiateur par un conduit de 7,6 cm (3 po) de diamètre de moins de 7,6 m (25 pi) de long ou l'équivalent. Ce dernier est fixé à un collet de départ de 7,6 cm (3 po) qui est monté sur le côté d'entrée de l'armoire de commande. Un capuchon d'évent approuvé doit être placé directement à l'extrémité du tuyau d'entrée d'air de combustion extérieur. L'entrée d'air de combustion doit être à au moins 91,4 cm (3 pi), verticalement ou horizontalement, de la sortie du conduit de combustion. Le terminal d'entrée d'air doit être situé à au moins un 30 cm (1 pi) au-dessus du sol. Une bonne pratique d'installation est d'alimenter en air de combustion provenant d'une zone de pression identique à celle de la sortie du conduit.



Ventilation Verticale

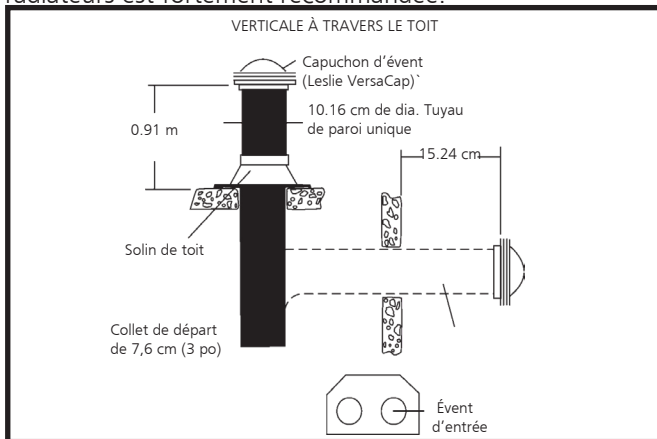
Ce radiateur, lorsqu'il est ventilé verticalement, doit être installé avec le système de ventilation approuvé. Pour les installations d'évacuation verticales, le tube chauffant GSP est certifié comme un appareil de catégorie I..

- Un tuyau d'évacuation de 10,16 cm (4 po) de diamètre d'une longueur d'au maximum 7,6 m (25 pi) peut être utilisé avec un capuchon d'évent approuvé, tel qu'illustré.

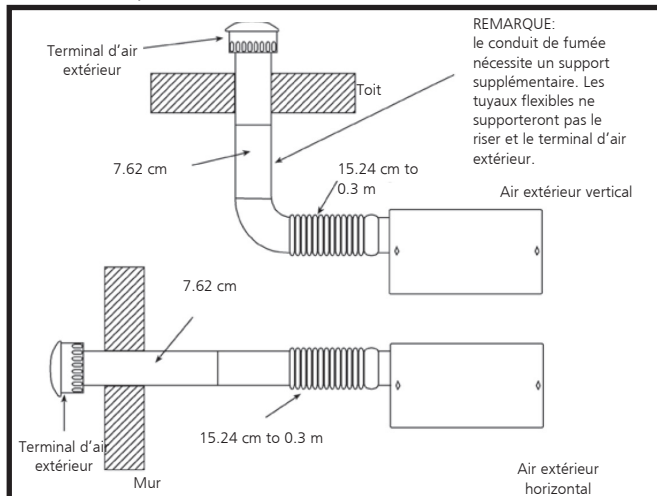
Dans les climats froids, le cas échéant, isolez le conduit d'air frais. Évitez de placer le conduit d'air frais directement au-dessus du boîtier

Le tube radiant GSP est approuvé pour une installation avec un système d'alimentation en air extérieur. Certains composés tels que les hydrocarbures halogénés ou d'autres produits chimiques corrosifs présents dans l'air peuvent être aspirés dans l'équipement et provoquer une accélération du taux de corrosion de certains des composants chauffants. L'utilisation de tels composés chimiques près de l'enceinte doit être évitée.

IMPORTANT : Si le bâtiment dispose d'une légère pression négative ou si des contaminants sont présents dans l'air, une alimentation de combustion en air extérieur aux radiateurs est fortement recommandée.



Le conduit d'alimentation en air peut être isolé pour éviter la condensation sur la surface extérieure. Le terminal d'air extérieur doit être solidement fixé à la paroi externe par le forage de quatre (4) trous sur le rebord extérieur ; des vis à bois ou des boulons et des bagues de dilatation peuvent être utilisés pour fixer le terminal.



Installation du service électrique:

Exigences du système

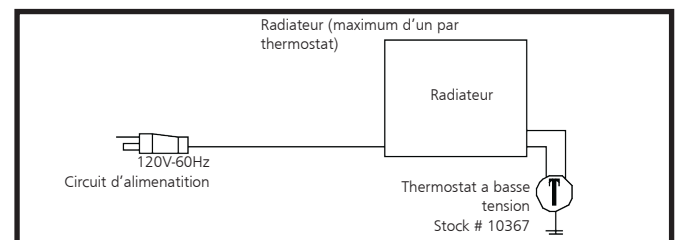
Le tube radiant de GSP nécessite l'installation d'une prise électrique à trois broches de mise à la terre à moins de 46 cm (18 po) de la surface arrière de la boîte du brûleur du radiateur. Il est recommandé que la sortie du radiateur soit montée au plafond et sur un circuit dédié. **NE PAS** utiliser une rallonge électrique pour faire fonctionner le radiateur.

Afin de contrôler le radiateur par thermostat, il est nécessaire que la prise électrique à trois broches de mise à la terre soit contrôlée par un interrupteur de marche/d'arrêt ou d'un thermostat à tension de secteur. Veuillez consulter un électricien ou suivre tous les codes électriques locaux.

Puissance du radiateur: 120VAC, 60Hz, Monophasé

Schéma de câblage du thermostat à faible tension

Les radiateurs sont normalement contrôlés par un thermostat. Le thermostat 24V recommandé se connecte à l'appareil, tel qu'indiqué dans le schéma ci-dessous.



Mise à la terre

Le radiateur doit être relié électriquement à la terre conformément aux codes suivants : États-Unis : Reportez-vous au National Electrical Code, ANSI/NFPA-70 - dernière révision. Le câblage doit être conforme au Code national de l'électricité et aux ordonnances locales les plus récentes. Canada : Se référer au Code canadien de l'électricité, CSA C22.1, Partie 1 - dernière révision.

⚠️ AVERTISSEMENT : Risque de choc électrique

Branchez le radiateur à une prise à trois broches au plafond. Ne pas couper ou enlever la broche de mise à la terre de cette fiche. Ne pas utiliser de rallonge. Le non-respect de ces instructions entraînera la mort ou un choc électrique.

AVERTISSEMENT : Étiquetez tous les fils avant de les débrancher lors de l'entretien. Des erreurs de câblage peuvent provoquer un fonctionnement incorrect et dangereux. Vérifier le bon fonctionnement après tout entretien.

⚠️ ATTENTION ⚠️

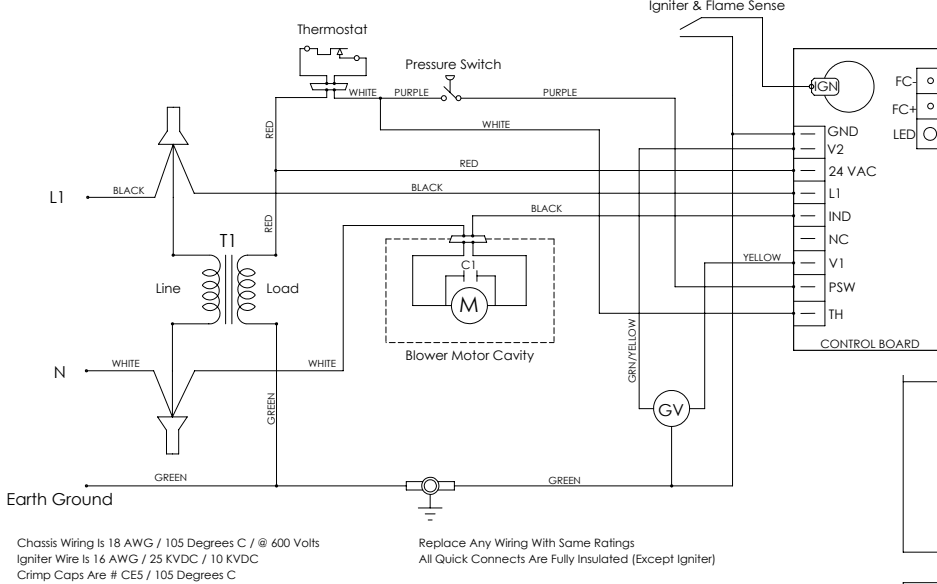
L'Instruction Mettre A Eletrique
Cet appareil de chauffage est équipé avec une trios (mettre a terre) le bouchon pour votre protection contre le danger da choc et devrait etre directement plugged dans un convenablement a mis a terre receptacle de trios broche. N' pas couper ou enlever la broche mettre a terre de ce bouchon.



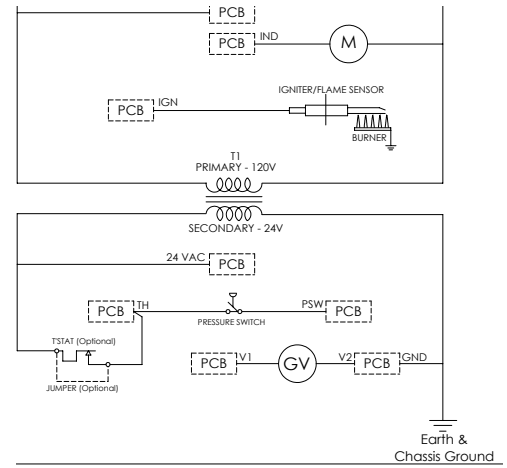
⚠️ WARNING ⚠️

Electrical Grounding Instructions
This heater is equipped with a three-prong (grounded) plug for your protection against shock hazard and should be plugged directly into a properly grounded three-prong receptacle. Do not cut or remove the grounding prong from this plug.

Schéma de câblage



Ci-dessus: Schéma de connexion
Droite: Schéma d'échelle



Installation du service de gaz

Installer les lignes d'alimentation en gaz

Une ligne d'approvisionnement en gaz de 1,2 cm (1/2 po) est nécessaire, tel qu'indiqué ci-dessous. Pour vérifier la pression du système, un robinet NPT branché de 0,12 cm (1/8 po) est nécessaire en amont de la valve manuelle d'arrêt du gaz fournie avec le radiateur.

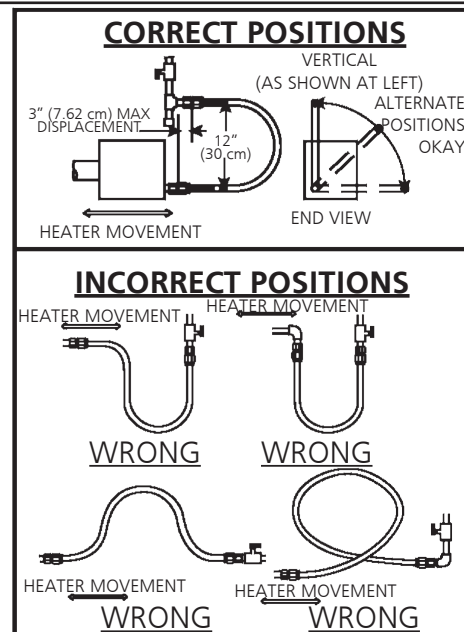
Avant de brancher le radiateur au système d'alimentation, vérifiez que tous les tests à haute pression de la canalisation de gaz ont été réalisés.

NE PAS EFFECTUER LES TESTS DE HAUTE PRESSION LORSQUE LE RADIATEUR EST BRANCHÉ.

Suivez ces instructions pour assurer une installation en toute sécurité du système d'alimentation en gaz :

1. Soutenir toutes les conduites de gaz avec des matériaux appropriés de suspension du tuyau.
2. Utiliser des tuyaux en fer forgé ou en acier forgé et des raccords en fonte malléable. L'utilisation de tubes en cuivre et de raccords en laiton est acceptable lorsque cette utilisation est en conformité avec les codes locaux.
3. Utilisez une pâte à joint résistante au PL sur toutes les lignes.
4. Vérifiez les connexions des tuyaux et tubes pour détecter les fuites avant de mettre en marche l'équipement de radiateur. Lors de la vérification des fuites de gaz, utilisez une solution d'eau savonneuse, ne jamais utiliser une flamme nue.
5. Le connecteur doit être certifié pour une utilisation sur un appareil de chauffage radiant par la « Norme pour les connecteurs pour appareils à gaz, ANSI Z21.24/CSA 6.10

REMARQUE : Un robinet branché NPT de 0,12 cm (1/8 po) doit être prévu en amont de l'approvisionnement en gaz du radiateur. La ligne d'alimentation en gaz se connecte au radiateur doit être telle qu'elle permet un certain mouvement de l'unité. L'appareil passera par une dilatation et une contraction pendant un cycle de chauffage.



Opération

Utilisation du radiateur

LES ENFANTS ET LES ADULTES DOIVENT ÊTRE CONSCIENTS DES DANGERS RELIÉS AUX TEMPÉRATURES DE SURFACE ÉLEVÉES ET DEVRAIENT GARDER UNE DISTANCE POUR ÉVITER LES BRÛLURES ET L'INFLAMMATION DES VÊTEMENTS.

LES JEUNES ENFANTS DOIVENT ÊTRE SURVEILLÉS LORSQU'ILS SE TROUVENT À PROXIMITÉ DU RADIATEUR.

DES VÊTEMENTS OU D'AUTRES MATÉRIAUX INFLAMMABLES NE DOIVENT PAS ÊTRE SUSPENDUS AU RADIATEUR, OU PLACÉS SUR LE RADIATEUR OU PRÈS DE CELUI-CI.

TOUT GARDE OU AUTRE DISPOSITIF DE PROTECTION QUI DOIT ÊTRE ENLEVÉ POUR L'ENTRETIEN DU RADIATEUR DOIT ÊTRE REPLACÉ AVANT DE FAIRE FONCTIONNER LE RADIATEUR.

L'INSTALLATION ET LA RÉPARATION DOIVENT ÊTRE EFFECTUÉES PAR UNE PERSONNE QUALIFIÉE. LE RADIATEUR DOIT ÊTRE VÉRIFIÉ AVANT UTILISATION AU MOINS UNE FOIS PAR ANNÉE PAR UNE PERSONNE QUALIFIÉE. UN NETTOYAGE PLUS FRÉQUENT PEUT ÊTRE NÉCESSAIRE AU BESOIN. IL EST IMPÉRATIF QUE LE COMPARTIMENT DE CONTRÔLE, LES PASSAGES D'AIR ET LE OU LES BRÛLEURS SOIENT GARDÉS PROPRES.

1. Ouvrez le thermostat. Lorsque le thermostat exigera de la chaleur, le moteur du ventilateur se mettra sous tension.
2. Lorsque le moteur se rapproche de la vitesse de fonctionnement nominale, le commutateur de contrôle d'air se fermera et activera le module d'allumage qui déclenchera à son tour le vidage.
3. Le module d'allumage activera alors l'allumeur.
4. Lorsque l'allumage commence, la valve de gaz sera activée.
5. Si une flamme est détectée, la valve de gaz restera ouverte. Lorsque l'exigence de chaleur est satisfaite, et que le mécanisme de commande du système est désactivé, l'alimentation en tension du brûleur et la valve de gaz se fermeront.
6. Si aucune flamme n'est détectée, la valve de gaz se fermera, et une période de vidage commence. Après la période de vidage, le module d'allumage activera la bougie d'allumage et la valve de gaz. Si une flamme n'est toujours pas présente, une troisième et dernière séquence de vidage/d'allumage commencera. Après trois tentatives infructueuses, le mécanisme de contrôle du système se bloquera pendant une période d'une heure, ou jusqu'à ce que l'appareil soit réinitialisé. La réinitialisation est accomplie en retirant le courant du radiateur pendant au moins cinq secondes.
7. Vérifiez visuellement périodiquement la flamme du brûleur pendant que l'unité est en marche à travers la fenêtre en bas de l'appareil.

ENTRETIEN

Entretien de Présaison

Le radiateur doit être gardé propre et libre des matériaux combustibles, d'essence et d'autres formes de vapeurs et de liquides inflammables.

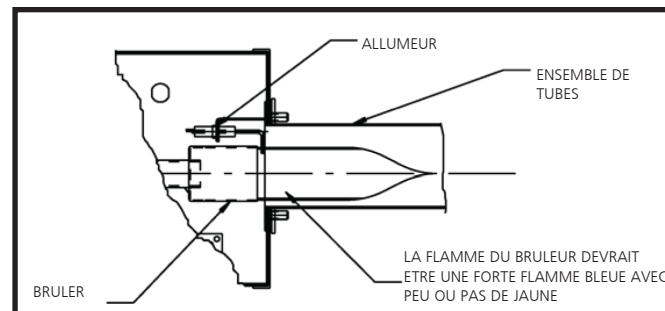
Ne pas utiliser cet appareil si une pièce a été plongée dans l'eau. Appelez immédiatement un technicien de service qualifié pour inspecter l'appareil et remplacer toute pièce du système de contrôle et toute commande de gaz qui a été plongée dans l'eau.

(ATTENTION) Étiquetez tous les fils avant de les débrancher lors de l'entretien. Les erreurs de câblage peuvent entraîner un fonctionnement incorrect et dangereux.

Pour de meilleures performances, les procédures d'entretien suivantes doivent être effectuées par une agence d'entretien qualifiée avant chaque saison de chauffage.

1. Une agence de service qualifiée doit être contactée pour tout autre service que l'entretien de routine.
2. Vérifiez l'état du rouleau et du moteur du ventilateur. La saleté et la poussière peuvent être soufflées avec de l'air comprimé, ou un aspirateur peut être utilisé.
3. Vérifiez l'état du brûleur à coupelle. Retirez délicatement la poussière ou les débris à l'intérieur qui se sont formés dans le brûleur à coupelle.
4. Inspectez l'allumeur. Remplacez l'allumeur s'il y a un résidu de carbone excessif, une érosion des électrodes ou d'autres défauts.
5. Vérifiez que la fenêtre d'observation du brûleur est propre et exempte de fissures ou de trous. Nettoyez ou remplacez au besoin.
6. Vérifiez que le tuyau de combustion n'a pas de suie, de saletés ou d'obstructions. Le débit de combustion et d'air de ventilation ne doit pas être obstrué. Après le nettoyage, le cas échéant, réattachez le tuyau de raccordement au radiateur.
7. Les surfaces extérieures du réflecteur de chauffage peuvent être nettoyées en les essuyant avec un chiffon humide.
8. Vérifiez que le terminal de ventilation et l'entrée d'air extérieur ne se sont pas obstrués pendant la saison de non-chauffage. Si l'un des tuyaux est obstrué, le commutateur d'air ne se fermera pas, ce qui entraînera une absence de chaleur.
9. Vérifiez le bon fonctionnement après l'utilisation.

Fonctionnement Correct De La Flamme



DÉPANNAGE

Ce guide de dépannage a été conçu pour vous aider à localiser et à corriger des problèmes mineurs qui peuvent survenir avec le tube radiant de GSP.

LE VENTILATEUR NE FONCTIONNE PAS	
Cause possible :	Essayez ceci :
Le cordon d'alimentation n'est pas branché.	Brancher le cordon dans une prise de sortie à trois broches.
Le réglage du thermostat est trop faible.	Augmenter le réglage de la température du thermostat.
Le module DSI doit être remis à zéro.	Débrancher le cordon d'alimentation du radiateur de la prise électrique : attendre un minimum de cinq secondes. Rebrancher le cordon du radiateur dans la prise.
Pas de courant à la prise électrique.	Remplacer le fusible ou réenclencher le disjoncteur.
Le moteur du ventilateur est défectueux.	Remplacer le moteur du ventilateur.

L'ALLUMEUR NE S'ALLUME PAS	
Cause possible :	Essayez ceci :
Le module DSI doit être remis à zéro.	Débrancher le cordon d'alimentation du radiateur de la prise électrique : attendre un minimum de cinq secondes. Rebrancher le cordon du radiateur dans la prise.
L'allumeur ou le câble d'allumage est défectueux.	Débrancher le cordon d'alimentation du radiateur de la prise électrique ; vérifier si l'allumeur et le fil d'allumage sont endommagés. S'ils sont endommagés, remplacer l'allumeur et/ou le câble d'allumage.
Le commutateur d'air ne fonctionne pas.	Vérifier si le conduit d'alimentation de combustion/d'air est obstrué ; enlever les obstructions au besoin. Vérifier si les tuyaux d'air sont branlants ou fuyants au commutateur d'air ; réparer, remplacer ou serrer les tuyaux au besoin. Vérifier le courant de 24V aux bornes secondaires 4 et 5 (fils rouge et jaune) du transformateur. SI NON : Vérifier le courant de 120V aux bornes primaires 1 et 3 (fils noir et blanc) du transformateur. Si le courant de 120V est présent, remplacer le transformateur. Si le courant 120V est absent, contrôler le câblage entre le cordon d'alimentation, le moteur du ventilateur et le transformateur. SI OUI : Connecter un fil de connexion entre les bornes de commutation d'air ; si le fil de connexion permet au ventilateur de fonctionner, remplacer le commutateur de pression (voir la liste des pièces de rechange pour le numéro de la pièce qui s'applique à la puissance de votre unité).
L'éclateur de l'allumeur est incorrect.	Réinitialiser l'éclateur à 0,125 cm (1/8 po).

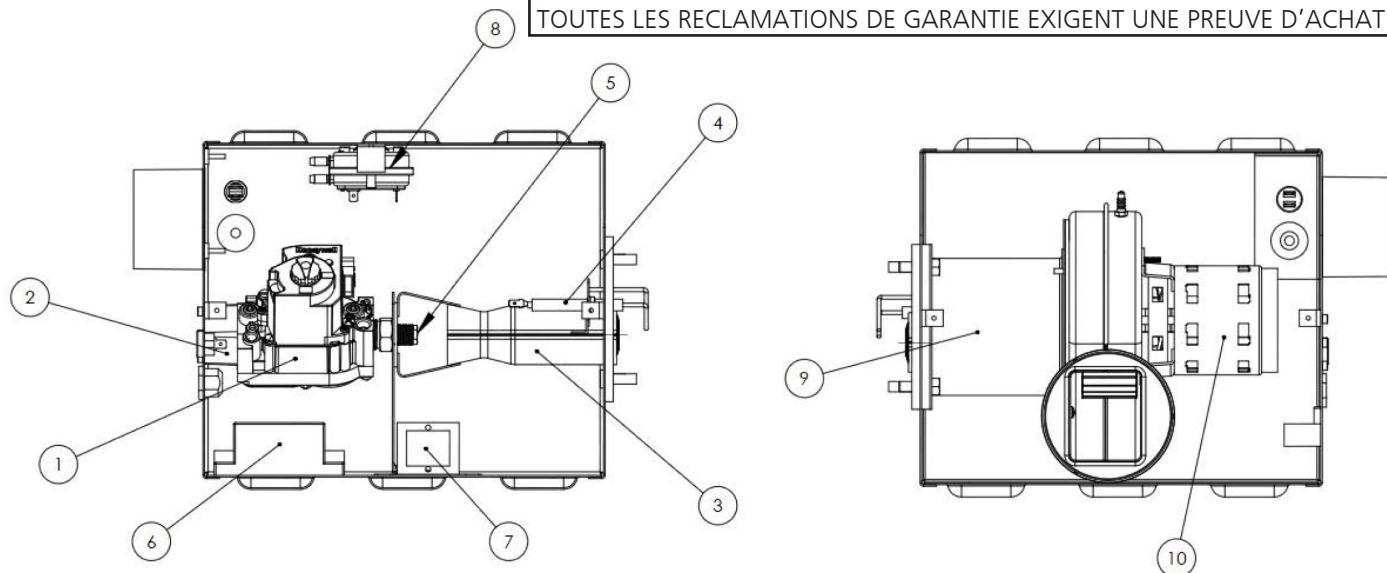
LE BRÛLEUR NE S'ALLUME PAS	
Cause possible :	Essayez ceci :
Il y a de l'air dans le conduit de gaz.	Vider le conduit de gaz.
Une mauvaise pression d'entrée de gaz.	Vérifier la pression d'entrée de gaz au robinet branché de 0,12 cm (1/8 po) NPT. La pression d'entrée de gaz doit être comme suit.
La valve à gaz ne s'ouvre pas.	Vérifier le courant de 24V entre les bornes de la valve. Vérifier l'arrêt sur la valve. SI NON : Vérifier le câblage entre le module d'allumage et la valve. Réparer/remplacer les fils au besoin. Si le câblage est correct, remplacer le module d'allumage. SI OUI : Remplacer la valve de gaz.
Basse pression de sortie de gaz.	Vérifier la pression du collecteur de gaz. Mesurer la pression du collecteur à la prise de pression sur le robinet de gaz. Vérifier la pression de collecteur de gaz. Mesurer la pression du collecteur à la prise de pression sur la valve de gaz. Gaz naturel : 10 cm (4,0 po) par colonne d'eau. Gaz propane : 25,4 cm (10 po) par colonne d'eau. Si la pression du collecteur ne répond pas aux exigences, régler la pression de sortie de la vanne avec la vis de réglage sur la vanne. REMARQUE : Une bonne pression d'entrée de gaz doit être vérifiée avant d'effectuer les essais de pression de sortie.

LE BRÛLEUR NE RESTE PAS ALLUMÉ	
Cause possible :	Essayez ceci :
Fils endommagés entre le module DSI et l'électrode.	Remplacer les fils au besoin.
Module DSI défectueux.	Remplacer le module DSI.
Électrode défectueuse.	Remplacer l'électrode.

PIÈCES ILLUSTRÉES

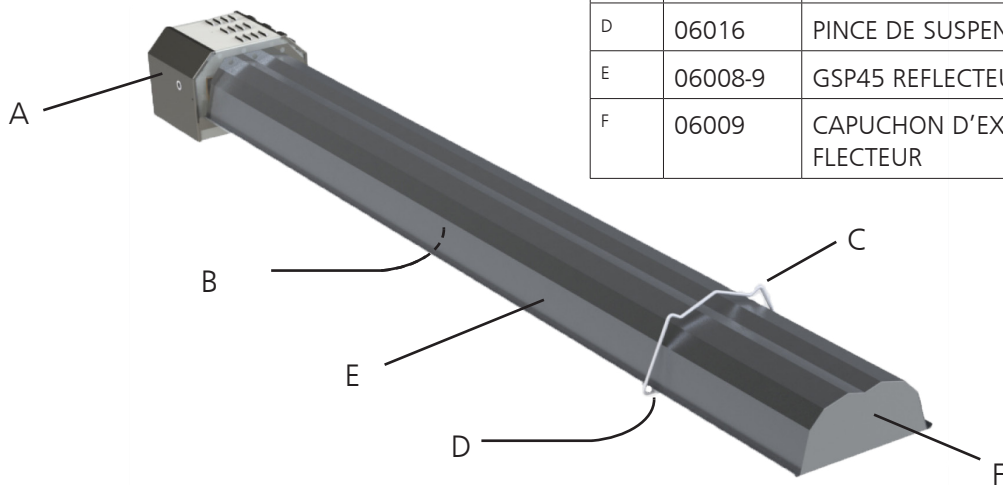
Cette section fournit les numéros de pièce et les représentations graphiques des composants du tube radiant GSP. Les lettres de la légende sur les illustrations sont associées à la liste des pièces associée.

TOUTES LES RECLAMATIONS DE GARANTIE EXIGENT UNE PREUVE D'ACHAT



#	P/N	DESCRIPTION DE LA PIÈCE	QTY
1	60128	VALVE DE GAZ (N.G.)	1
	60129	VALVE DE GAZ (L.P.)	
2	03808	BRIDE D'EXTENSION DE VALVE DE GAZ	1
3	02590	VENTURI BRULEUR	1
4	60729	ALLUMEUR D'ETINCELLE	1
	05795	OUVERTURE (N.G.)	1
	05747	OUVERTURE (L.P.)	
6	02970	MODULE D'ALLUMAGE	1
7	08364A	TRANSFORMATEUR	1
8	02822	COMMUTATEUR DE PRESSION	1
9	02575	ADAPTATEUR DE MOTEUR	1
10	02579	MOTEUR DU VENTILATEUR	1

REF	ITEM	DESCRIPTION
A	02591	GSP45NG (Boîte du brûleur pour F208850)
	02592	GSP45LP (Boîte du brûleur pour F208851)
B	02598	GSP45 ENSEMBLE DE TUBE
C	06014	SUSPENSION
D	06016	PINCE DE SUSPENSION
E	06008-9	GSP45 REFLECTEUR
F	06009	CAPUCHON D'EXTREMITE DU REFLECTEUR





GUIDE D'UTILISATION ET MANUEL DU PROPRIÉTAIRE

Modèle n° :

MH45GSP



AVERTISSEMENT:

UTILISER UNIQUEMENT LES PIÈCES DE RECHANGE DU FABRICANT. L'UTILISATION DE TOUTE AUTRE PIÈCE POURRAIT CAUSER DES BLESSURES OU LA MORT. LES PIÈCES DE RECHANGE SONT DISPONIBLES UNIQUEMENT DIRECTEMENT DE L'USINE ET DOIVENT ÊTRE INSTALLÉES PAR UNE AGENCE QUALIFIÉE.

INFORMATIONS DE COMMANDE DE PIÈCES DE RECHANGE:

ACHAT: Les accessoires peuvent être achetés chez un revendeur local HEATSTAR by Enerco ou directement de l'usine.

POUR DES INFORMATIONS CONCERNANT LE SERVICE

Veuillez appeler, sans frais, au 866-447-2194

WWW.HEATSTARBYENERCO.COM

Nos heures de bureau sont de 8 h 30 à 17 h, HNE, du lundi au vendredi.

Veuillez avoir en main le numéro de modèle, le numéro de série et la date d'achat.

GARANTIE LIMITÉE

La Société garantit que ce produit est exempt d'imperfections d'équipement ou de fabrication, sous utilisation normale et appropriée, conformément aux instructions de la Société. Garantie limitée de 3 ans sur les pièces et le brûleur. Garantie limitée de 10 ans sur le tube. La Société, à sa discrétion, réparera ou remplacera les produits retournés par l'acheteur à l'usine, le transport payé d'avance au sein de ladite période d'un an et jugés par la Société comme ayant des imperfections d'équipement ou de fabrication.

Si une pièce est endommagée ou manquante, veuillez appeler notre Service à la clientèle au 800-251-0001.

Adressez toute réclamation au département du Service à la clientèle, Mr. Heater, Inc., 4560 W. 160TH ST., CLEVELAND, OHIO 44135. Inclure votre nom, adresse et numéro de téléphone et les détails concernant la réclamation. En outre, nous fournir la date d'achat et le nom et l'adresse du revendeur auprès duquel vous avez acheté notre produit.

Ce qui précède relève entièrement de la responsabilité de la Société. Il n'existe aucune autre garantie, explicite ou implicite. Plus précisément, il n'existe aucune garantie d'adéquation à un usage particulier et aucune garantie de qualité marchande. En aucun cas la Société ne sera responsable d'un retard causé par les imperfections, pour les dommages indirects ou des frais de toute nature engagés sans son consentement écrit. Le coût de la réparation ou du remplacement doit être la seule réparation pour toute violation de la garantie. Il n'y a pas de garantie contre la violation analogue et aucune garantie implicite découlant du cours de la transaction ou d'usages du commerce. Cette garantie ne s'applique à aucun produit qui a été réparé ou modifié en dehors de l'usine à tout égard qui, selon notre jugement, affecte son état ou fonctionnement. Certains États ne permettent pas l'exclusion ou la limitation des dommages fortuits ou consécutifs, de sorte que la limitation ou l'exclusion peut ne pas s'appliquer à vous. Cette garantie vous donne des droits légaux spécifiques, et vous pouvez avoir d'autres droits qui varient selon les états.

Enerco Group, Inc. se réserve le droit d'apporter des modifications à tout moment, sans préavis ni obligation, aux couleurs, caractéristiques, accessoires, matériaux et modèles.



ANSI Z83.20-2016
CSA 2.34-2016



ENERCO Technical Products, Inc., 4560 W. 160TH ST., CLEVELAND, OHIO 44135 • 866-447-2194
HEATSTAR is a registered trademarks of ENERCO Technical Products, Inc.
© 2017, ENERCO Technical Products. All rights reserved