



OPERATING INSTRUCTIONS AND OWNER'S MANUAL

Model #
Single F500300
Double F500305

READ INSTRUCTIONS CAREFULLY: YOUR SAFETY IS IMPORTANT TO YOU AND TO OTHERS. Read and follow all instructions. Place instructions in a safe place for future reference. Do not allow anyone who has not read these instructions to assemble, light, adjust or operate the stove.



CAMP STOVE KIT

Cleveland Iron Works, 4560 W. 160TH ST.,
CLEVELAND, OHIO 44135 • 866-447-2194

⚠ WARNING: Do not store or use gasoline or other flammable vapors and liquids in the vicinity of this appliance.

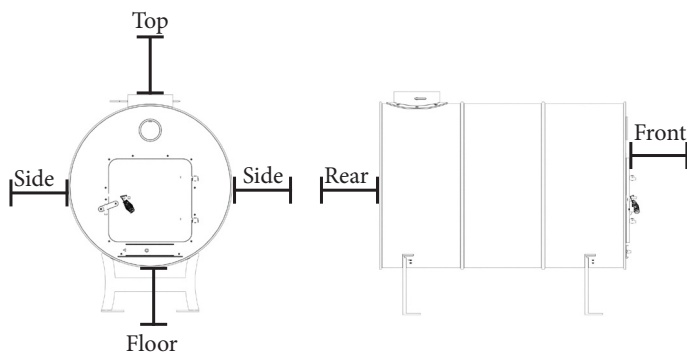
⚠ WARNING: The stove must be 36" from combustible walls (wood or plaster board) at rear or sides. Clearances may be reduced to 4" if the wall construction is entirely non-combustible such as concrete or masonry. NOT FOR USE ON COMBUSTIBLE FLOORING.

- Assembled stove must be connected to a flue vented to the outdoors in accordance with local guidelines.
- Due to the high surface temperatures this unit should be located an appropriate distance from any and all combustible materials.
- Due to High surface temperatures this assembled stove should be installed away from common human traffic patterns in order to avoid burns or ignition of clothing. Clothing or other flammable material should not be placed on or around the assembled stove.

SAFETY PRECAUTIONS

1. Not for use in Mobile Homes.
2. This stove may only be installed outside of any home. NOT FOR INDOOR RESIDENTIAL USE.
3. Always wear the proper safety equipment when assembling this unit, including safety glasses and gloves.
4. Creosote, a tar created in the combustion of wood or plant matter, may build up in the chimney connector and chimney. This build-up is flammable and so could cause a fire. Inspect the chimney connector and chimney at least twice monthly during heating season and clean if necessary. Do not inspect the chimney while the unit is on or hot.
5. Do not overfire. Overfiring the appliance may cause a fire. If the unit or chimney connector glows, you are overfiring.
6. Never use gasoline or other flammable liquids to start or "freshen up" a fire.
7. Dispose of ashes in a metal container.
8. The minimum barrel size for use with this kit is a 55 gallon barrel. The barrel must not be made of plastic.

Clearances to Combustibles



| Materials | Clearance to Combustibles | | | | |
|----------------------|---------------------------|-----|------|------|-------------------------------------|
| | Front | Top | Rear | Side | Floor |
| wood / plaster board | 72" | 72" | 36" | 36" | Not for use on combustible flooring |
| Concrete / Masonry | 72" | 72" | 36" | 36" | Leg Height (8 inches) |

ASSEMBLY INSTRUCTIONS

⚠ WARNING: Make sure barrels are thoroughly clean before applying barrel stove kit. NEVER USE AN ACETYLENE TORCH due to explosive gases that may be trapped inside your barrel.

1. Open the barrel plug and displace vapors with water to make barrel safe for power tools. (Figure 1)
2. Ensure the barrel is empty and dry before beginning the installation of barrel stove kit.
3. Stand barrel upright, with a barrel plug facing up. If there are extra holes in the barrel beside this plug, permanently seal them shut.
4. Using a scribe or marking pencil, trace the inner perimeter of the door and of the air inlet vent.
5. Cut along these markings with either a hacksaw or sabre saw.
6. **Apply high temperature sealant around the cut openings**, then press the door frame against the sealant and over the holes. Secure the door frame to the barrel using bolts provided with the kit. (Figure 2)
7. Position the legs underneath the barrel, near the front and rear of the barrel and balanced around the center of the barrel so that the barrel is level and stable. With the door frame attached, access the inside of the barrel to secure the legs. (Figure 3)
8. Protect and elongate the useful life of your stove by

- lining the bottom with fire bricks or loose gravel.
9. Attach the flue collar at the rear and top of barrel by the same process as the door:
 - Mark the inner perimeter.
 - Use either a hacksaw or a sabre saw to cut along the marking.
 - Use high temperature sealant along the cut.
 - Press the flue collar into the high temperature sealant against the opening.
 - Secure the flue collar with the 6 included bolts. (Figure 4).

For single barrel stoves, kit F500300

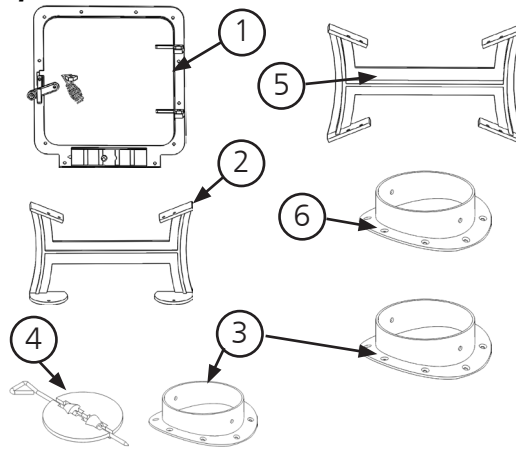
10. Attach the flue damper to the flue collar. (Figure 8)

For double barrel stoves, kit F500305

11. Position the connecting legs on top of the barrel, near the front and rear of the barrel and balanced around the center of the barrel so that the second barrel may be supported securely. When positioning the back legs be sure to not obstruct the flue collar. With the door frame attached, access the inside of the barrel to secure the legs. (Figure 5)
10. Cut 6" diameter flue pipe long enough to connect the two barrels. Insert into flue collar.
11. With help, hoist the second barrel on top of the first and adjust position until the barrels are aligned and balanced.
12. Mark the perimeter of the 6" flue pipe on the underside of the top barrel.
13. Remove the top barrel. Using either a hacksaw or a sabre saw cut along the markings. Trace then cut a flue collar inner perimeter on the opposite end and side of the barrel. (Figure 6) For both openings on this barrel, fasten flue collars to the barrel with the same procedure as step 9.
14. With help, hoist the second barrel back on top of the first barrel and support legs. Align the barrel so that the flue pipe fits snug into the flue collar of bottom and top barrel. Fasten barrel to legs. Reach through top flue collar to insert, arrange, and tighten nuts (Figure 7). Fasten the underside flue collar to the stove pipe.
15. Install flue damper to top barrel. (Figure 8)

single barrel stoves, kit F500300 parts list

| REF # | Description | Part # | Qty |
|-------|--------------------|----------------|-----|
| 1 | Door | 35001 | 1 |
| 2 | Bottom legs | 35002 | 2 |
| 3 | Flue collar Bottom | 35003 | 1 |
| 4 | Flue damper | 35004 | 1 |
| N/A | Fasteners | Source Locally | 1 |



double barrel stoves, kit F500305 parts list

| REF # | Description | Part # | Qty |
|-------|--------------------|----------------|-----|
| 3 | Flue Collar Bottom | 35003 | 1 |
| 5 | Middle legs | 35005 | 2 |
| 6 | Flue Collar Top | 35006 | 1 |
| N/A | Fasteners | Source Locally | 1 |

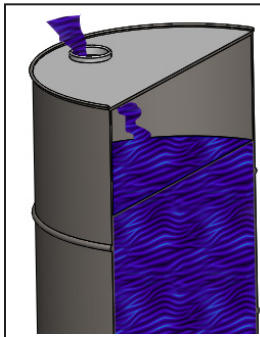


Figure 1

Open the barrel plug and displace vapors with water to make barrel safe for power tools.

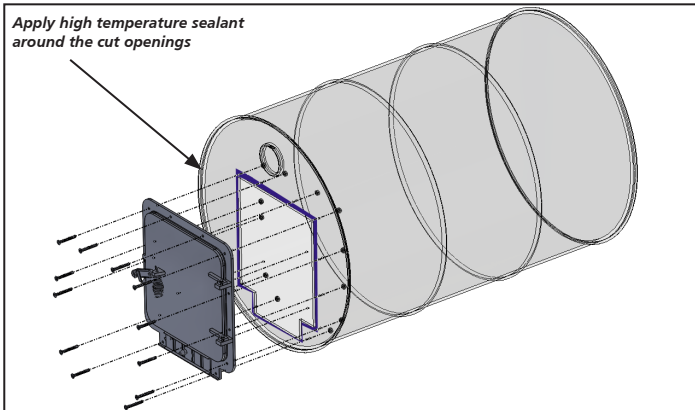


Figure 2

Using a scribe or marking pencil: trace the inner perimeter of the door, mark in the middle and directly below door an additional 7 inch wide and 2 inch tall section for air inlet vent, and holes for bolt clearance and of the air inlet vent. Make cuts. Apply high temperature sealant, and fasten the door to barrel with bolts and nuts.

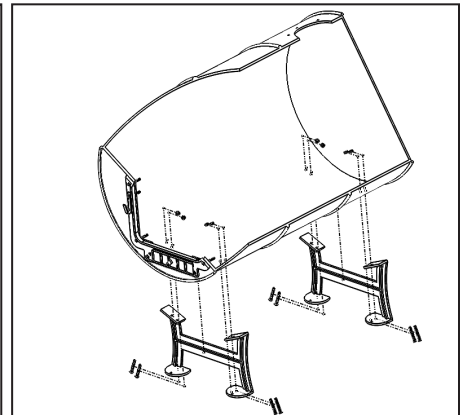


Figure 3

Center legs underneath barrel. Mark then drill holes for bolt clearance. Open door to access back of barrel. Attach legs to barrel with bolts and nuts.

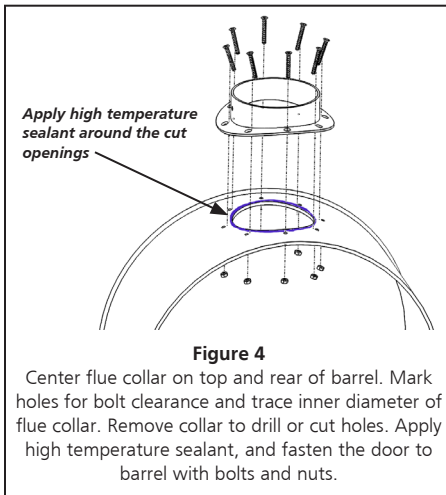


Figure 4

Center flue collar on top and rear of barrel. Mark holes for bolt clearance and trace inner diameter of flue collar. Remove collar to drill or cut holes. Apply high temperature sealant, and fasten the door to barrel with bolts and nuts.

these assembly steps for double barrel stoves, kit F500305 only

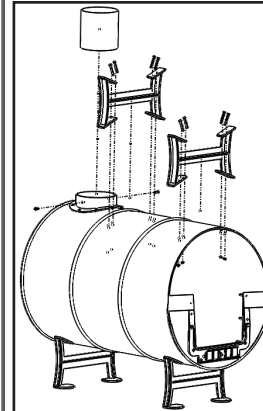


Figure 5

Center legs on top of barrel. Mark then drill holes for bolt clearance. Open door to access back of barrel. Attach legs to barrel with bolts and nuts. Additionally, cut a 6 inch diameter stove pipe to a length that will be long enough to connect the two stacked barrels. Insert it into flue collar and secure in place with 2 sheet metal screws through flue collar clearance holes.

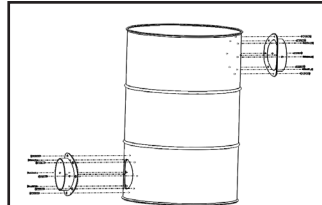


Figure 6

Center another barrel on top. Adjust so that back ends of barrels are aligned. Mark on barrel surface holes for leg bolts and also where the barrel contacts stove pipe, then cut a hole and install flue collar to that location as described in figure 4. Repeat on the opposite side and end of the barrel.

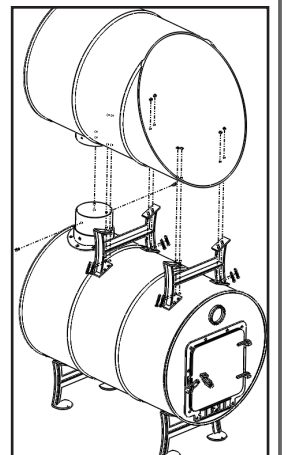


Figure 7

Center the second barrel to top. Adjust so that flue collar fits over stove pipe. Fasten to legs with bolts and nuts (reach through top flue collar to insert, arrange, and tighten nuts).

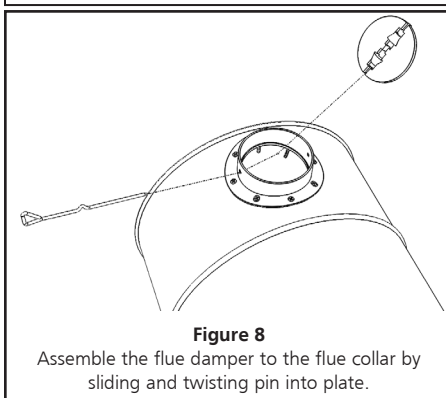
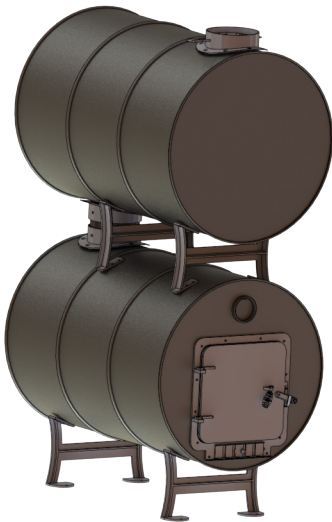
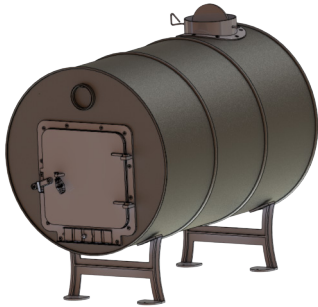


Figure 8

Assemble the flue damper to the flue collar by sliding and twisting pin into plate.

READ INSTRUCTIONS CAREFULLY: YOUR SAFETY IS IMPORTANT TO YOU AND TO OTHERS. Read and follow all instructions. Place instructions in a safe place for future reference. Do not allow anyone who has not read these instructions to assemble, light, adjust or operate the stove.



WARNING:

USE ONLY MANUFACTURER'S REPLACEMENT PARTS. USE OF ANY OTHER PARTS COULD CAUSE INJURY OR DEATH. REPLACEMENT PARTS ARE ONLY AVAILABLE DIRECT FROM THE FACTORY AND MUST BE INSTALLED BY A QUALIFIED SERVICE AGENCY.

PARTS ORDERING INFORMATION:

PURCHASING: ACCESSORIES MAY BE PURCHASED AT ANY CLEVELAND IRON WORKS LOCAL DEALER OR DIRECT FROM THE FACTORY

FOR INFORMATION REGARDING SERVICE:

Please call Toll-Free 1-800-251-0001 • CLEVELAND-IRONWORKS.COM

Our office hours are 8:00 AM – 5:00 PM, EST, Monday through Friday.

Please include the model number, date of purchase, and description of problem in all communication.

LIMITED WARRANTY:

The company warrants this product to be free from imperfections in material or workmanship, under normal and proper use in accordance with instructions of The Company, for a period of 1 year from the date of delivery to the buyer. The Company, at its option, will repair or replace products returned by the buyer to the factory, transportation prepaid within said one year period and found by the Company to have imperfections in material or workmanship.

If a part is damaged or missing, call our Technical Support Department at 1-800-251-0001.

Address any Warranty Claims to the Service Department, Cleveland Ironworks, Inc., 4560 W. 160TH ST., CLEVELAND, OHIO 44135. Include your name, address and telephone number and include details concerning the claim. Also, supply us with the purchase date and the name and address of the dealer from whom you purchased our product.

The foregoing is the full extent of the responsibility of the Company. There are no other warranties, express or implied. Specifically there is no warranty of fitness for a particular purpose and there is no warranty of merchantability. In no event shall the Company be liable for delay caused by imperfections, for consequential damages, or for any charges of the expense of any nature incurred without its written consent. The cost of repair or replacement shall be the exclusive remedy for any breach of warranty. There is no warranty against infringement of the like and no implied warranty arising from course of dealing or usage of trade. This warranty will not apply to any product which has been repaired or altered outside of the factory in any respect which in our judgment affects its condition or operation.

Some states do not allow the exclusion or limitation of incidental or consequential damages, so the above limitation or exclusion may not apply to you. This Warranty gives you specific legal rights, and you may have other rights which vary from state to state.

Cleveland Ironworks Inc. reserves the right to make changes at any time, without notice or obligation, in colors, specifications, accessories, materials and models.

Cleveland Ironworks Inc., 4560 W. 160TH ST., CLEVELAND, OHIO 44135 • 1-800-251-0001

Cleveland Ironworks Inc., is a registered trademarks of Mr. Heater, Inc.

© 2018, Cleveland Ironworks. All rights reserved