

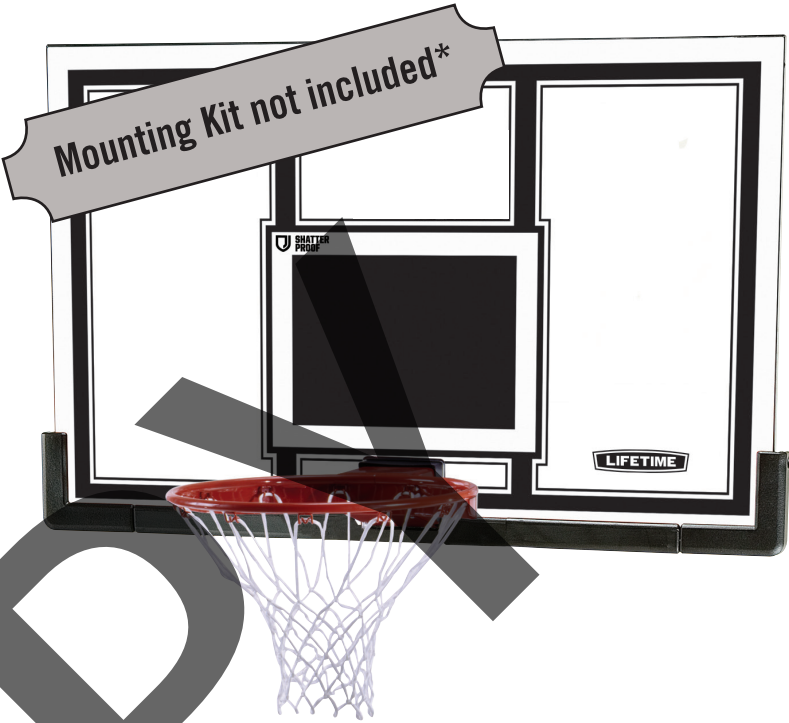


ASSEMBLY INSTRUCTIONS

BACKBOARD & RIM BASKETBALL SYSTEM

MODEL 71526

- **Before you start**
Decide where you would like to mount your system. A mounting kit is required for Roof and Wall mounts and is available through our Customer Service Department (see page 9).
- **Recruit friends and family**
Assembly should take 2 people about 2–3 hours to complete.



*Backboard Brackets (included with the Lifetime® Universal Mounting Kit, sold separately) are required to complete the assembly as instructed in this manual.

Save this instruction in the event that the manufacturer has to be contacted for replacement parts.

TOOLS REQUIRED

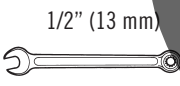
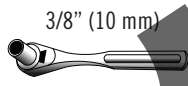
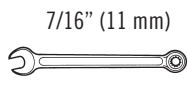


 1/2" (13 mm) (2)	 3/8" (10 mm) (1)	 7/16" (11 mm) (1)	 (1)
 (1)			

TABLE OF CONTENTS

Icon Legend.....	2
Notices.....	2
Backboard to Rim Assembly.....	3
Mounting the System.....	9
Registration.....	10
Warranty.....	11

QUESTIONS?

CONTACT LIFETIME CUSTOMER SERVICE:

Call: 1-800-225-3865
7:00 am–5:00 pm (Monday–Friday) MST
and 9:00 am–1:00 pm Saturday MST

Live Chat:
www.lifetime.com

For Customer Service in Mainland
Europe and the United Kingdom,
E-mail: cs@lifetimeproducts.eu

Model Number: 71526
Product ID:



ICON LEGEND



- Indicates special heed should be taken when reading.



- Indicates the parts to be used for a section.



- Indicates no parts required for a specific section.



- Indicates the hardware to be used for a section.



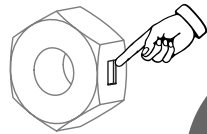
- Indicates no hardware required for a specific page.



- Indicates the tools to be used for a section.



- Indicates to use/not to use an electric drill for a specific step.



- Indicates the use of a centerlock nut. A nut with this marking will require some effort to tighten. This hardware was designed with this feature in order to prevent loosening later.

COPY



WARNINGS & NOTICES



SAFETY INSTRUCTIONS



FAILURE TO FOLLOW THESE WARNINGS MAY RESULT IN SERIOUS INJURY OR PROPERTY DAMAGE AND WILL VOID WARRANTY.

Owner must ensure that all players know and follow these rules for safe operation of the system.

To ensure safety, do not attempt to assemble this product without following the instructions carefully. Check entire box and inside all packing material for parts and/or additional instruction material. Before beginning assembly, read the instructions and identify parts using the hardware identifier and parts list in this document. Proper and complete assembly, use and supervision are essential for proper operation and to reduce the risk of accident or injury. A high probability of serious injury exists if this product is not installed, maintained, and operated properly.

- If using a ladder during assembly, use extreme caution.
- Two capable adults are recommended for this operation.
- Minimum operational height is 6 ft 6 in (1.98m) to the bottom of the backboard.

Most injuries are caused by misuse and/or not following instructions. Use caution when using this product.

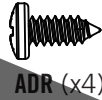
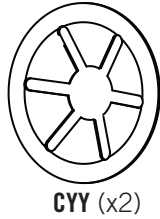
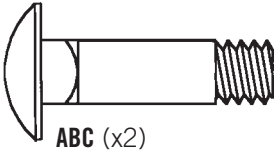
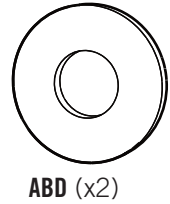
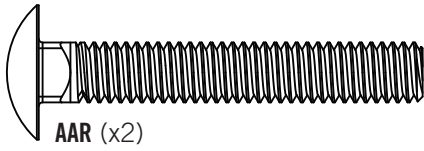
1

BACKBOARD TO RIM ASSEMBLY

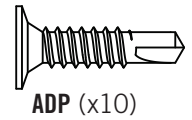
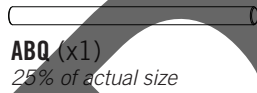
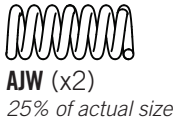
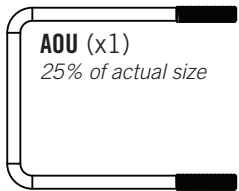


HARDWARE REQUIRED

Hardware Bag

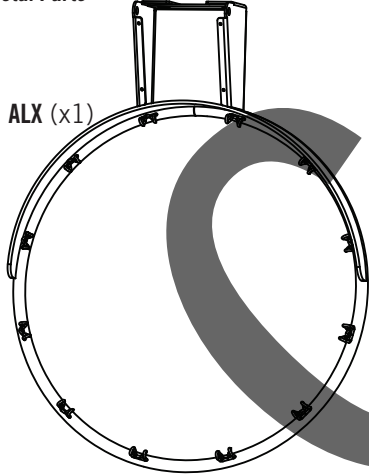


Hardware Bag

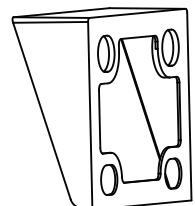
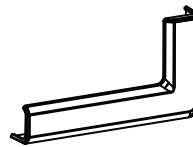
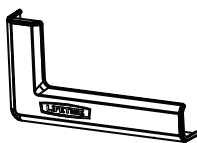
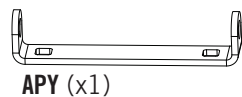
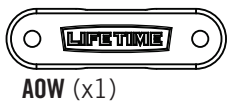
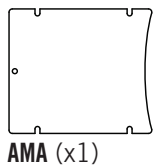
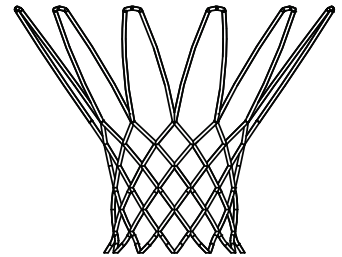
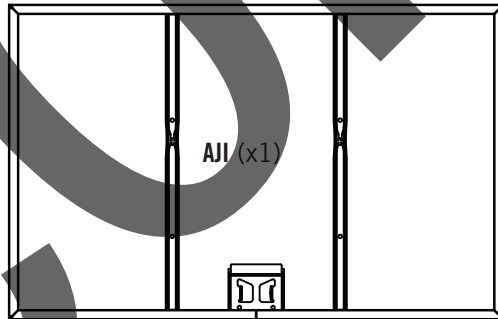


PARTS REQUIRED

Metal Parts



Plastic Parts

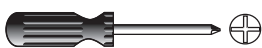


TOOLS REQUIRED

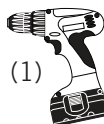
1/2" (13 mm)



(2)



(1)



(1)



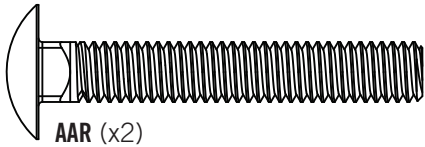
(1)

SECTION 1 (CONTINUED)

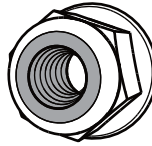
TOOLS AND HARDWARE REQUIRED



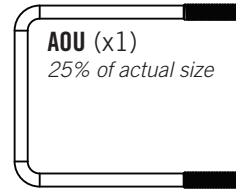
1/2" (13 mm) (x2)



AAR (x2)



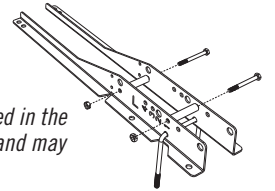
ABK (x2)



AOU (x1)
25% of actual size



- Before beginning this assembly, follow the instructions included with your Mounting Kit (or original basketball system if this is to replace an existing system) to assemble the Backboard Brackets. To ensure a good fit, **use the U-Bolt (AOU) included with this system** when assembling the brackets. For further details, see page 9.



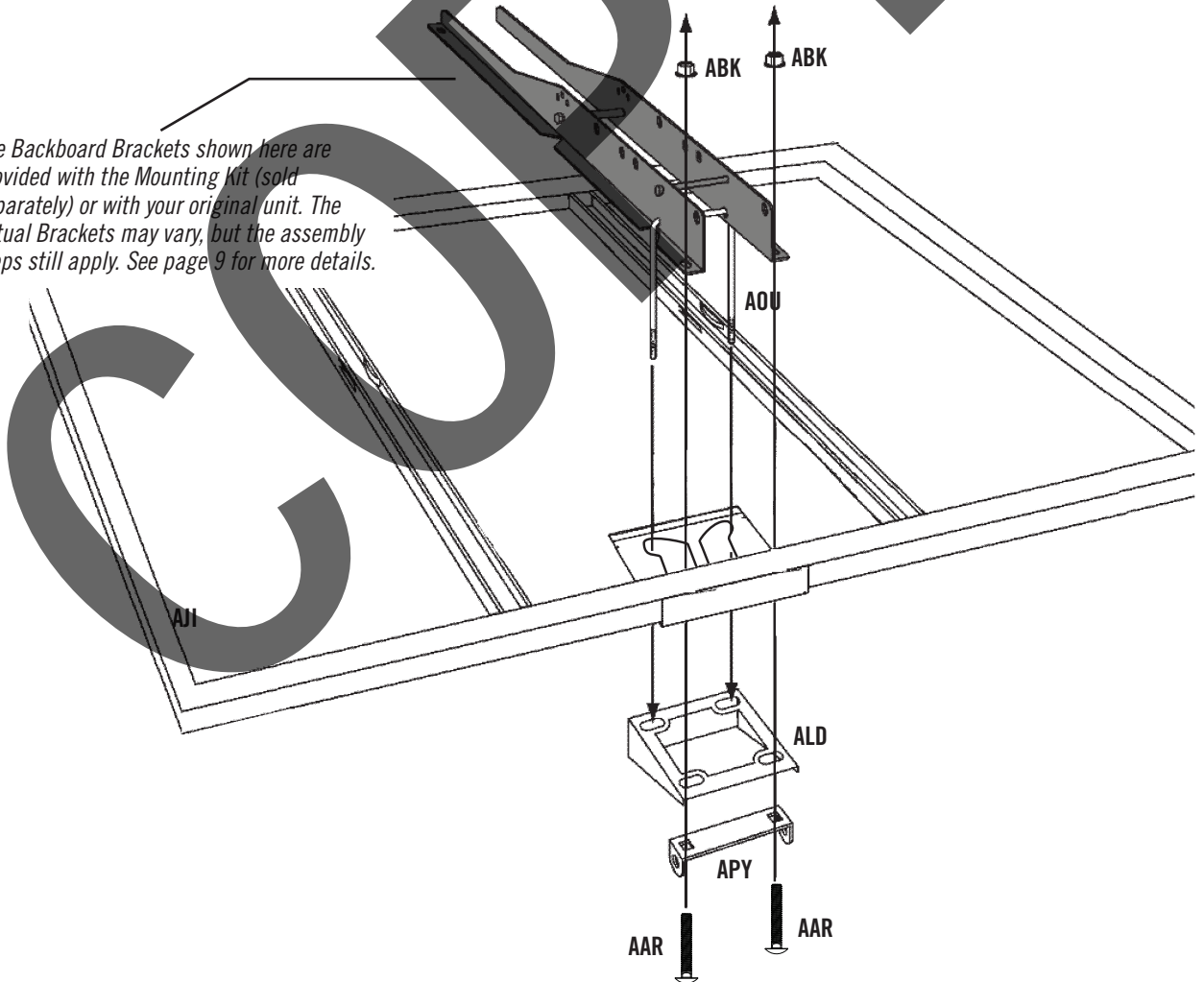
- Backboard Brackets are included in the Mounting Kit (sold separately) and may vary from those shown here.

1.1

- Lay the backboard on a table or bench. Insert the **U-Bolt (AOU)** through the upper part of the opening on the backside of the **Backboard (AJI)** as shown.



- The Backboard Brackets shown here are provided with the Mounting Kit (sold separately) or with your original unit. The actual Brackets may vary, but the assembly steps still apply. See page 9 for more details.



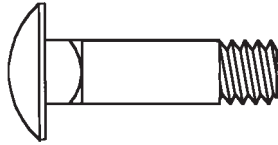
- The Backboard Brackets shown represent Lifetime Products® components and are for illustration purposes only. If using Brackets other than the Lifetime Products® models shown here, refer to the instructions provided with the Brackets.

SECTION 1 (CONTINUED)

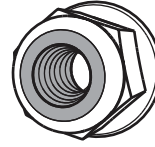
TOOLS AND HARDWARE REQUIRED



1/2" (13 mm)



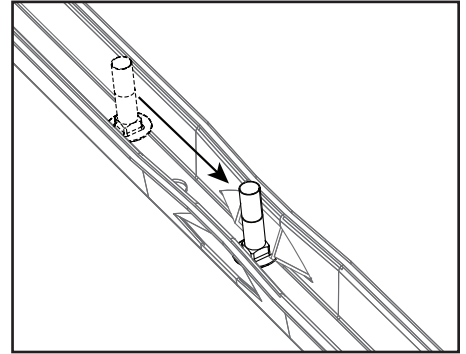
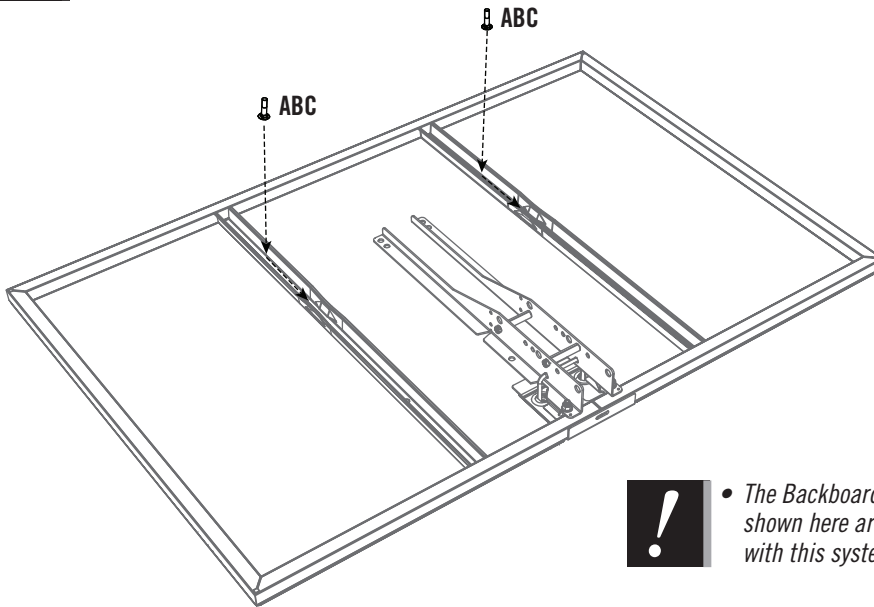
ABC (x2)



ABK (x2)

1.2

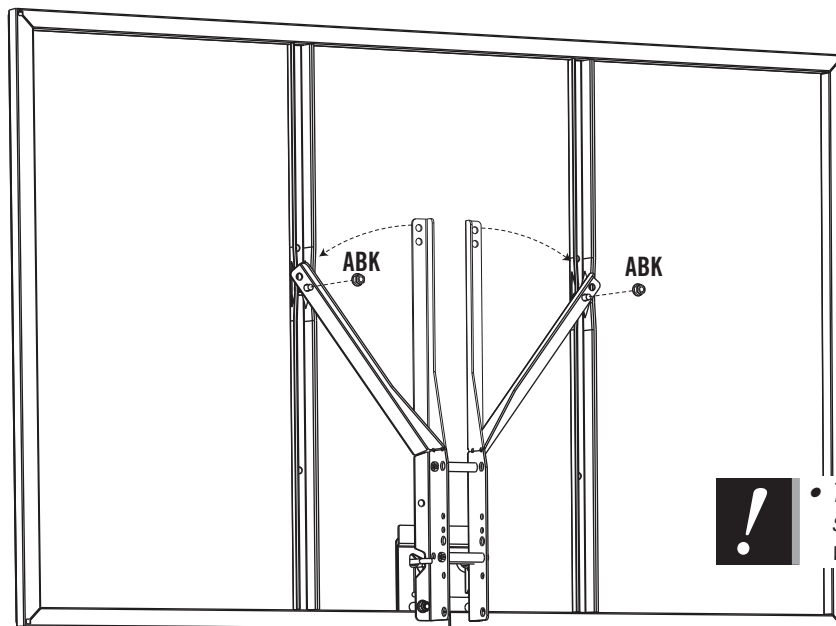
- Slide a **Carriage Bolt (ABC)** into the crimped slot in each backboard channel.



- The Backboard Brackets shown here are not included with this system.*

1.3

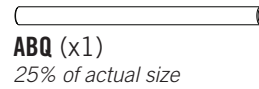
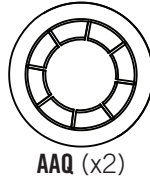
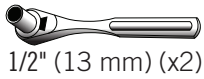
- Bend the Backboard Brackets (not included) so the lower holes go over the Carriage Bolts. **Lifetime® Backboard Brackets are designed to be bent by hand.** Secure the Brackets to the Carriage Bolts through the lower of the two holes in the Bracket.



- The Backboard Brackets shown here are not included with this system.*

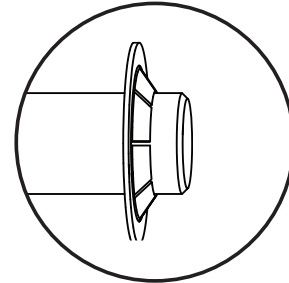
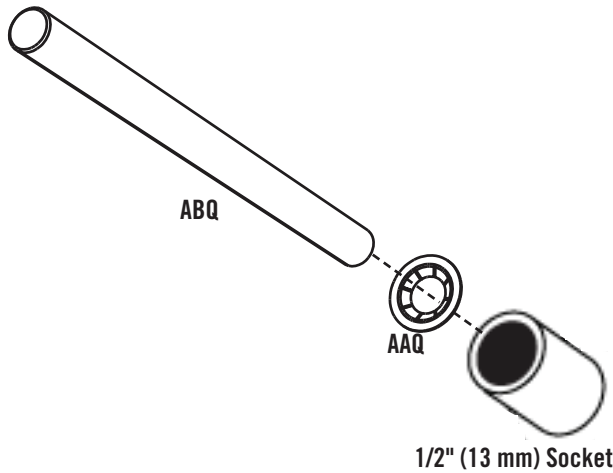
SECTION 1 (CONTINUED)

TOOLS AND HARDWARE REQUIRED



1.4

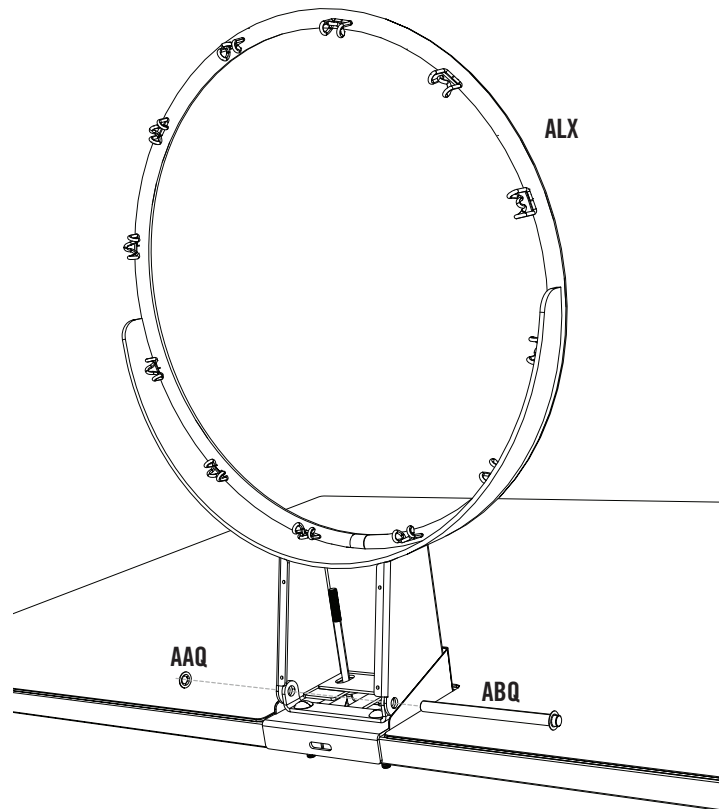
- Use the 1/2" socket head from the socket-head wrench to press one **Push Nut (AAQ)** onto one end of the **Axle (ABQ)**.



- The **Push Nut** should rest about 1/4" from the end of the **Axle**. If the **Push Nut** slips on too far, continue sliding it to the other end of the **Axle** to remove it and try again.

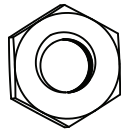
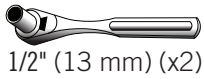
1.5

- Turn the backboard on its back and position the **Rim (ALX)** inside the Plastic Guard as shown. Slide the end of the **Axle (ABQ)** through the Rim and the **Rim Pivot Bracket (APY)**. Press the **Push Nut (AAQ)** onto the end of the **Axle**. Use the 1/2" (13 mm) socket head to secure the **Push Nut** if needed.



SECTION 1 (CONTINUED)

TOOLS AND HARDWARE REQUIRED



AAV (x2)



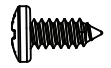
ABK (x2)



AOW (x1)
25% of actual size



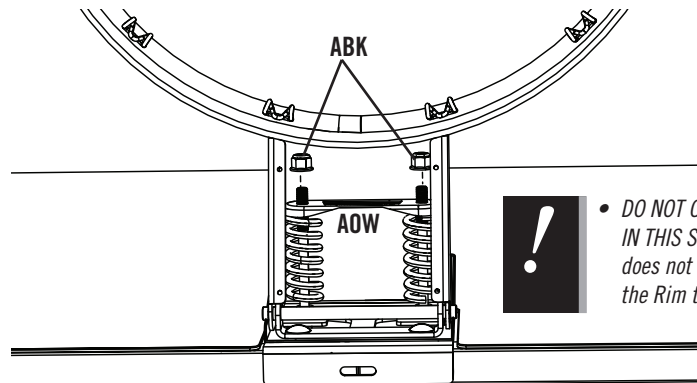
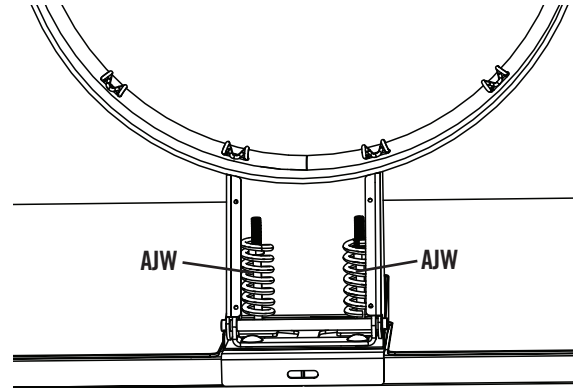
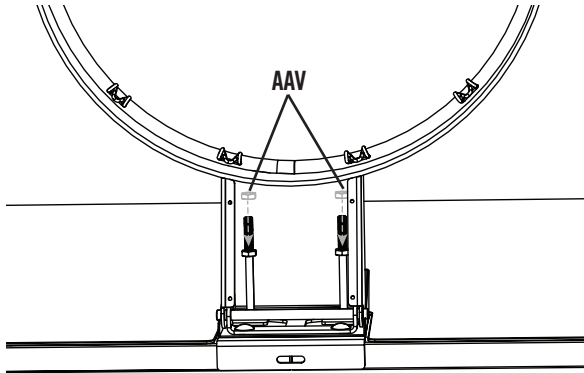
AJW (x2)
25% of actual size



ADR (x4)

1.6

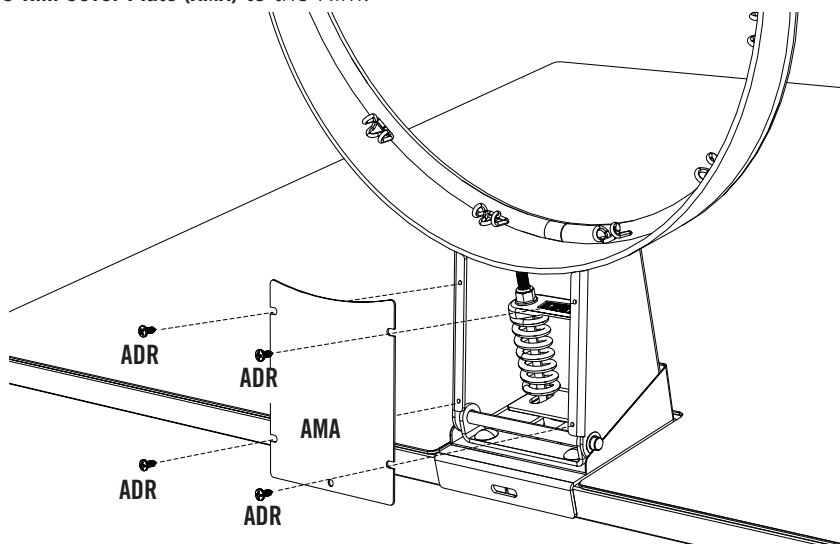
- Thread the **Jam Nuts (AAV)** as far as they will go on the ends of the U-Bolt. Then slide the **Springs (AJW)** into place and secure them with the hardware shown.



- **DO NOT COMPLETELY TIGHTEN THE FLANGE NUTS IN THIS STEP!** Only tighten the Nuts until the Rim does not wobble. Tightening the Nuts will adjust the Rim tension.

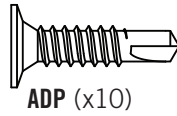
1.7

- Attach the **Rim Cover Plate (AMA)** to the Rim.



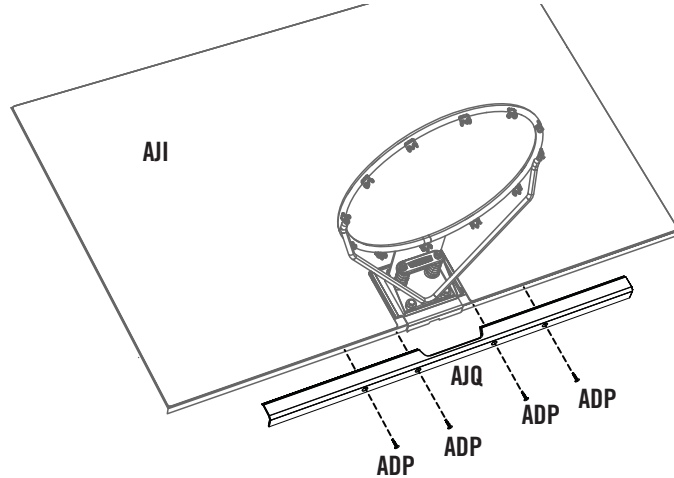
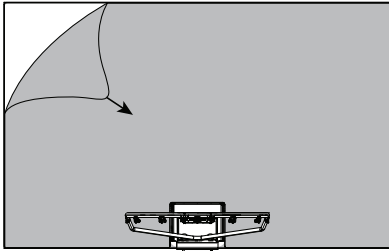
SECTION 1 (CONTINUED)

TOOLS AND HARDWARE REQUIRED



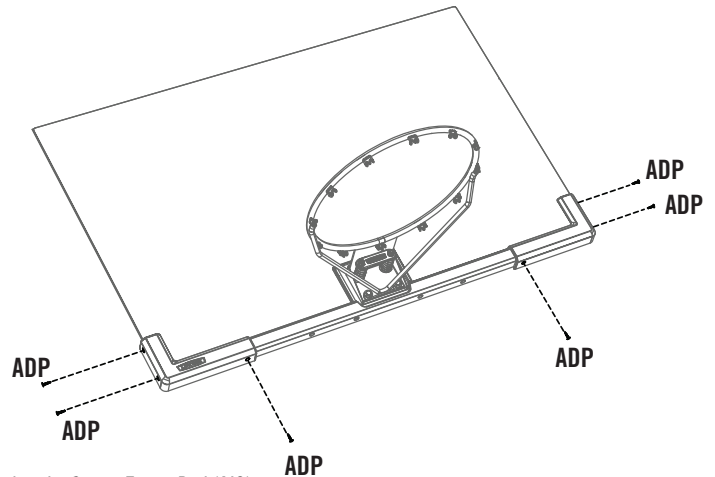
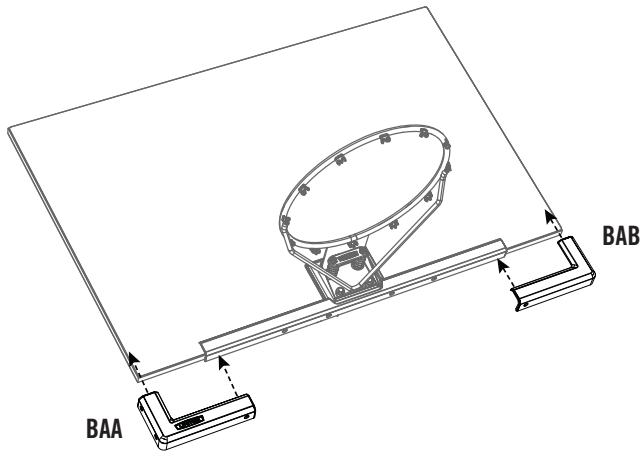
1.8

- Remove the plastic film from the **Backboard (AJI)**, and attach the **Center Frame Pad (AJQ)** to the Backboard in the location shown with the hardware indicated. Make sure that the Center Frame Pad is oriented and centered on the metal piece of the Backboard.



1.9

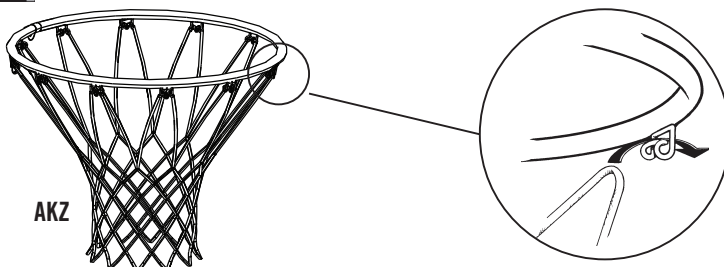
- Attach the **Corner Frame Pads (BAA and BAB)** to the Backboard in the locations indicated with the hardware indicated.



- The Corner Frame Pads (BAA and BAB) will overlap the Center Frame Pad (AJQ).
- Les protections angulaires (BAA et BAB) chevaucheront la protection centrale (AJQ).
- Las almohadillas angulares (BAA y BAB) se solaparán con las almohadilla central (AJQ).

1.10

- Attach the **Net (AKZ)** to the Rim.



- If a replacement Net is needed, please call our Customer Service Department. Our Nets are shorter than average to reduce the risk of entanglement.



MOUNTING THE SYSTEM

MOUNTING KIT SOLD SEPARATELY

See details below.



- For mounting the Backboard & Rim Combo to a roof, wall, or existing pole mount that does not provide an extension, you must use a Mounting Kit designed for this purpose. Lifetime Products offers a Universal Mounting Kit, **Model #9594**, through our Customer Service Department. Figures A, B, and C show the Universal Extension Bracket mounted to a roof, a wall, and an existing pole. An Adjustable Height Mounting Kit, **Model #1044**, is also available (figure D). **Please refer to the information at the bottom of this page for ordering information.**

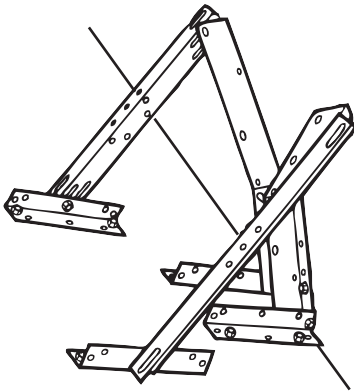


FIG. A, ROOF MOUNT

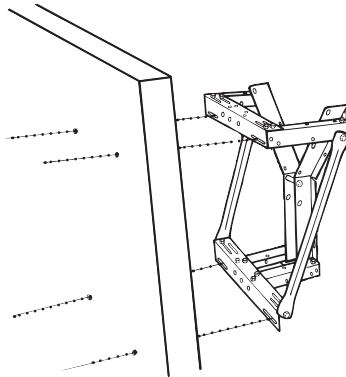


FIG. B, WALL MOUNT

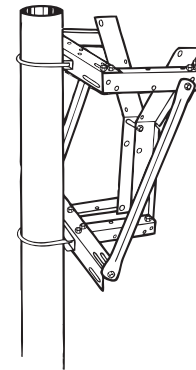


FIG. C, EXISTING POLE MOUNT

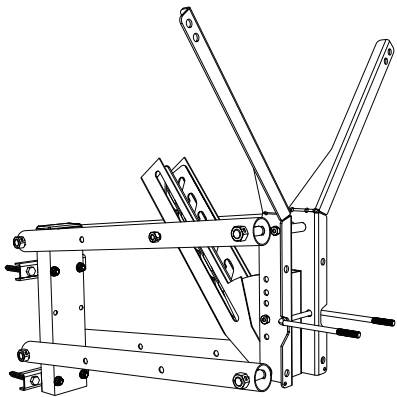


FIG. D, ADJUSTABLE HEIGHT MOUNTING KIT



- *The Universal Mounting Kit and the Adjustable Height Mounting Kit are not included with this basketball system. See details below to order the kit from our Customer Service Department.*

PRODUCT DESCRIPTION

Universal Mounting Kit
Adjustable Height Mounting Kit

MODEL

9594
1044

Call our Customer Service Department at 1.800.424.3865 for prices and shipping costs. To place orders, use a Master Card or Visa and call our Customer Service Department, or send check or money order to:

LIFETIME PRODUCTS, INC.
P.O. BOX 160010
BLDG. D-11, FREEPORT CENTER
CLEARFIELD, UT 84016-0010



MAINTENANCE / ENTRETIEN / MANTENIMIENTO

The life of your basketball system depends on many variables. The climate, exposure to corrosives such as salt, pesticides, or herbicides, and excessive use or misuse can all contribute to Pole failure, which may cause property damage or personal injury.

Check your basketball system frequently for loose hardware, excessive wear, and signs of corrosion. For safety reasons, and to prolong the life of your basketball system, you must take the following preventive measures.

- a. Check all Nuts and Bolts. If any are loose, tighten them.
- b. Check all parts for excessive wear and tear. If necessary, replace any parts that have been worn or damaged through usage. Contact our Customer Service Department for replacement parts.
- c. Inspect the Warning Sticker on the Pole. If it is ripped, faded, or illegible, call our Customer Service Department to request a replacement Sticker.
- d. Check all Pole sections for visible rust or chipped or cracked paint. If either are present, do the following:
 1. Use an emery cloth to completely remove any rust or chipped paint.
 2. Clean the area with a damp cloth and allow it to dry.
 3. Apply two coats of a rust preventative, high gloss enamel paint to the area. Allow the paint to dry between coats.

IF RUST HAS PENETRATED THROUGH THE POLE ANYWHERE, REPLACE IT IMMEDIATELY!



REGISTER YOUR PRODUCT / ENREGISTREZ VOTRE PRODUIT / REGISTRE SU PRODUCTO

At Lifetime®, we are committed to providing innovative and quality products. While registering, you will have the opportunity to give us your feedback. Your input is valuable to us.

- You can also opt in to receive new product notifications or promotions.
- In the unlikely event of a product recall or safety modification, your registration provides the information we need to notify you directly.
- Registration is fast, easy, and completely voluntary.

LIFETIME'S PROMISE TO YOU:

Maintaining your privacy is our long-standing policy at Lifetime®. And you can rest assured that Lifetime® will not sell or provide your personal data to other third parties, or allow them to use your personal data for their own purposes.

We invite you to read our privacy policy at www.lifetime.com

REGISTER today!



5-YEAR LIMITED FACTORY WARRANTY

THE MANUFACTURER RESERVES THE RIGHT TO MAKE SUBSTITUTIONS TO WARRANTY CLAIMS IF PARTS ARE UNAVAILABLE OR OBSOLETE.

1. Lifetime basketball systems are warranted to the original purchaser to be free from defects in material or workmanship for a period of five years from the date of original retail purchase. The word “defects” is defined as imperfections that impair the use of the product. Defects resulting from misuse, abuse or negligence will void this warranty. This warranty does not cover defects due to improper installation, alteration or accident. This warranty does not cover damage caused by vandalism, rusting, “acts of nature” or any other event beyond the control of the manufacturer.
2. This warranty is nontransferable and is expressly limited to the repair or replacement of defective product. If the product is defective within the terms of this warranty, Lifetime Products, Inc. will repair or replace defective parts at no cost to the purchaser. Shipping charges to and from the factory or distribution center are not covered and are the responsibility of the purchaser. Labor charges and related expenses for removal, installation or replacement of the basketball system or its components are not covered under this warranty.
3. This warranty does not cover scratching or scuffing of the product that may result from normal usage. In addition, defects resulting from intentional damage, negligence, unreasonable use or hanging from the rim will void this warranty.
4. Liability for incidental or consequential damages is excluded to the extent permitted by law. While every attempt is made to embody the highest degree of safety in all equipment, freedom from injury cannot be guaranteed. The user assumes all risk of injury resulting from the use of this product. All merchandise is sold on this condition, and no representative of the company may waive or change this policy.
5. This product is not intended for institutional or commercial use; Lifetime Products, Inc. does not assume any liability for such use. Institutional or commercial use will void the warranty.
6. Our goods come with guarantees that cannot be excluded under the Australian Consumer Law. You are entitled to a replacement or refund for a major failure and for compensation for any other reasonably foreseeable loss or damage. You are also entitled to have the goods repaired or replaced if the goods fail to be of acceptable quality and the failure does not amount to a major failure.
7. This warranty is expressly in lieu of all other warranties, expressed or implied, including warranties of merchantability or fitness for use to extent permitted by Federal and state law. Neither Lifetime Products, Inc., nor any representative assumes any other liability in connection with this product. This warranty gives you specific legal rights, and you may also have other rights which vary from state to state.

PLEASE INCLUDE YOUR DATED SALES RECEIPT AND PHOTOGRAPHS OF DAMAGED PARTS.

REPORT PRODUCT DEFECTS IN WRITING TO:

Lifetime Products, Inc., PO Box 160010 Clearfield, UT 84016-0010
or call 1-800-225-3865 M-F 7 a.m. to 5 p.m. MST.

REGISTER YOUR PRODUCT FOR QUICKER CUSTOMER SERVICE.

Visit www.lifetime.com or call 1-800-225-3865 to register your product today.

FOR INTERNATIONAL WARRANTY CLAIMS:

All warranty claims must be accompanied by a sales receipt. Report all warranty claims in writing to your regional sales support representative. Please include your dated sales receipt and photographs of damaged parts.

To identify the representative for your region, please visit: www.lifetime.com/international



www.lifetime.com

ENHANCE YOUR LIFETIME® PURCHASE BY ADDING ACCESSORIES OR OTHER GREAT PRODUCTS

To purchase accessories or other Lifetime® products, visit us at:

www.lifetime.com

Or call: 1-800-424-3865

7:00 am–5:00 pm (M–F) MST and 9:00 am–1:00 pm Saturday MST



www.lifetime.com

