






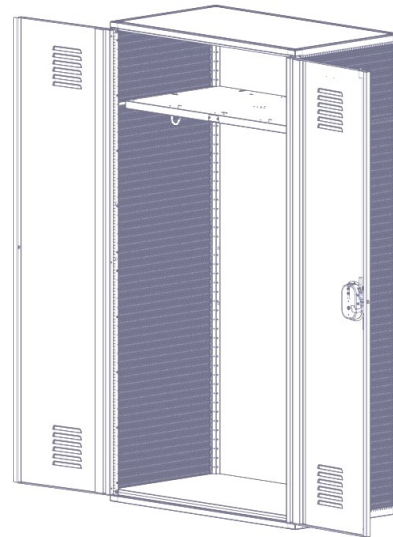


Fasteners & Tools Needed

The following items are in the hardware kit shipped with the locker:

- 8615–Number plate 
- 8671–Aluminum Rivet 
- 8621- Steel rivet 
- 8709-Screw 
- 8696- Coat Hook, 
- 8717 Coat Rod Hook 
- 6CR___-Coat Rod 



STEP 1- Check Parts

Unpack the component pieces for the basic locker. You should have two sides, a back, a top, shelf, coat rod hooks, coat rod, coat hooks, and bottom, for the locker body. You should also have a left hand and a right hand door.

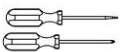
You will need these tools to assemble the TA50 locker.

Rivet gun.

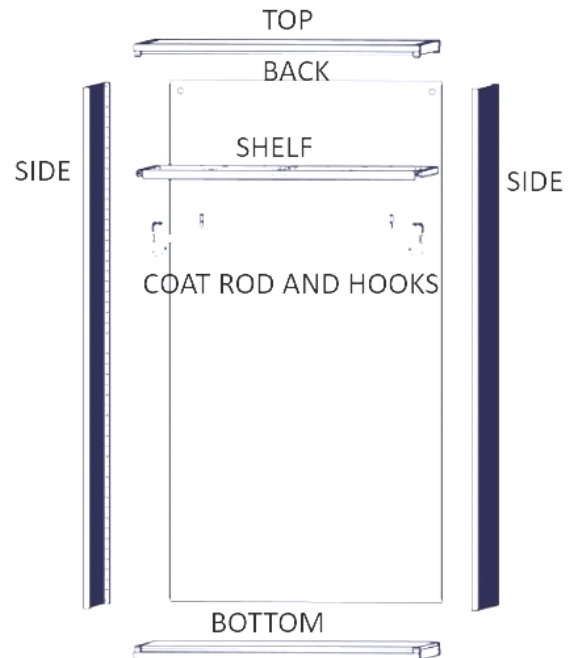
Drill with #3 Philips bit



Flat blade and Phillips head screwdrivers.



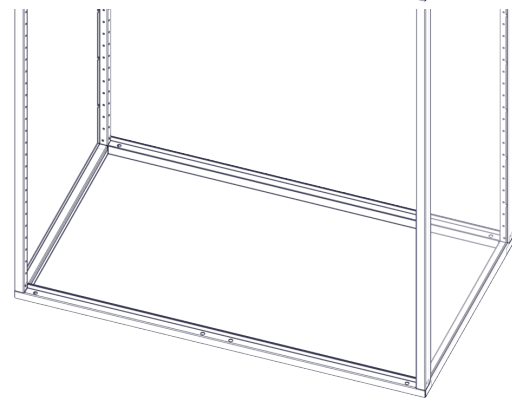
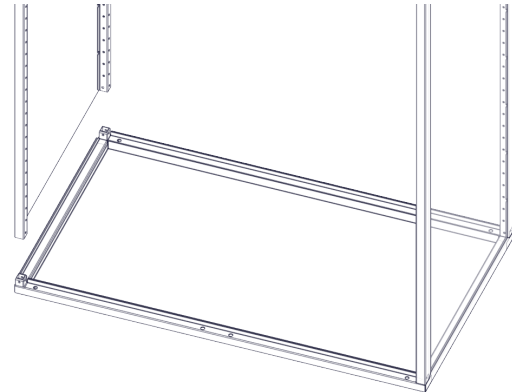
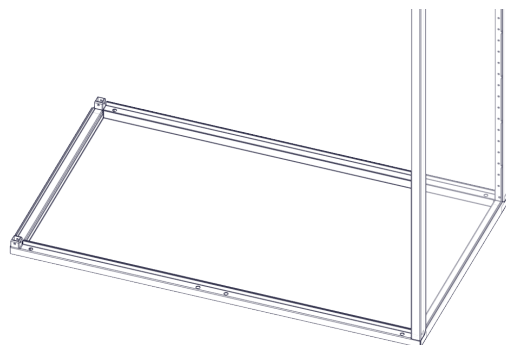
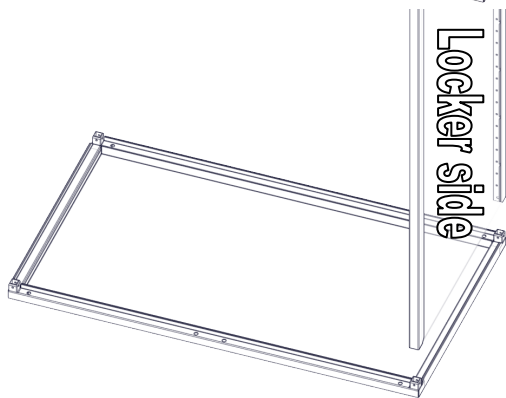
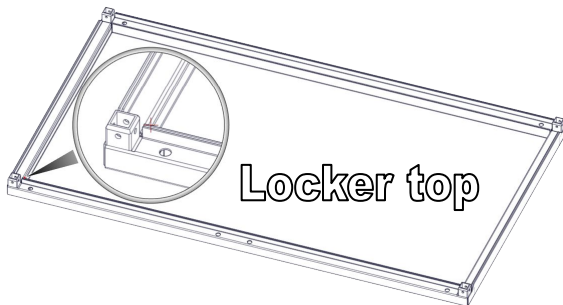
Stepladder



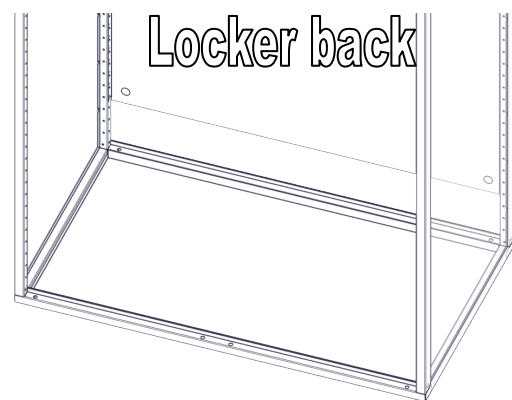
Note- Assemble locker upside down to allow screw insertion into underside of locker bottom. Locker assembly must be done on a flat surface. Images shown may differ from your locker, as there are different configuration options. Some parts show with transparency in these instructions to add clarity to assembly.

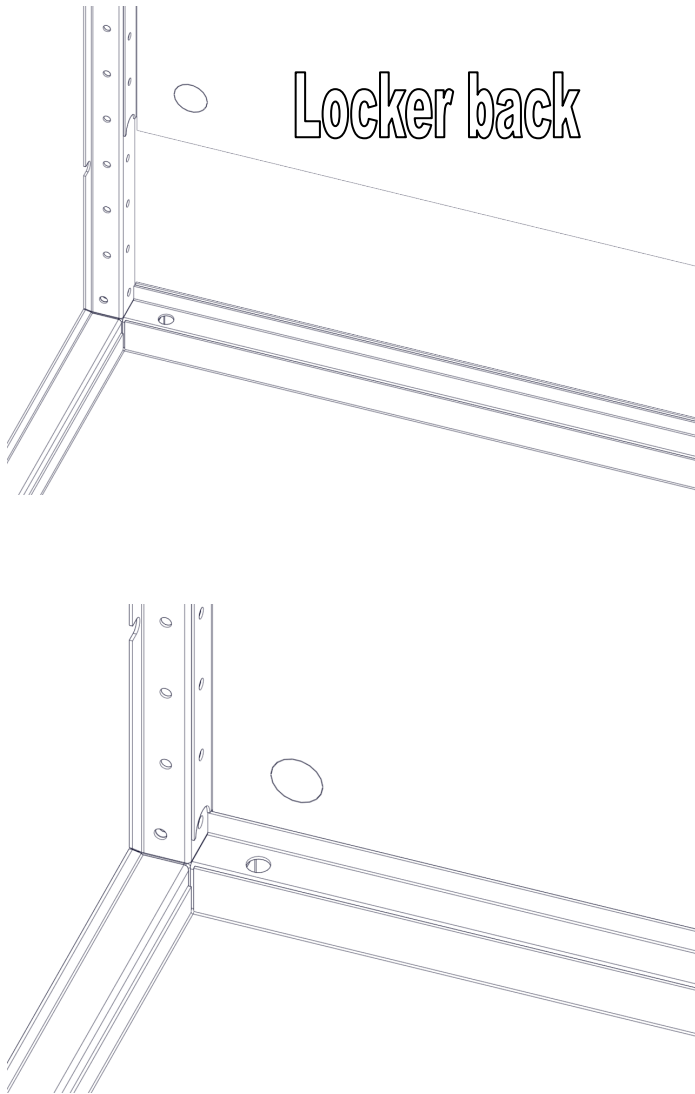
STEP 2 – Assemble the locker body

2A- Lay locker top on **flat surface** on the ground. Insert the two sides onto the cast corner pieces of the top assembly.

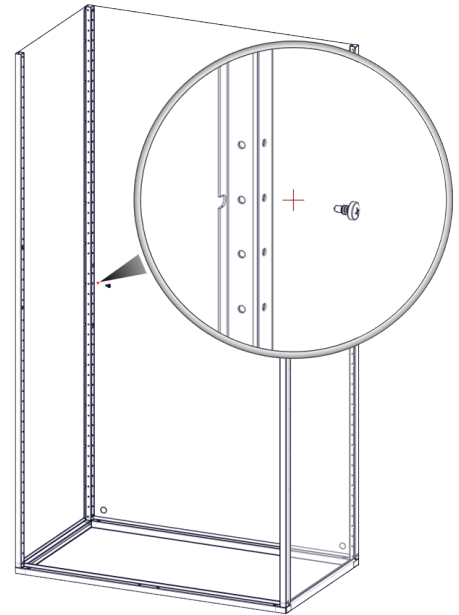


2B-1 Insert locker back into slot of the top.

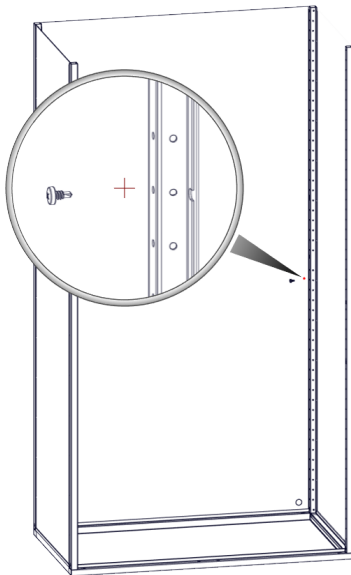
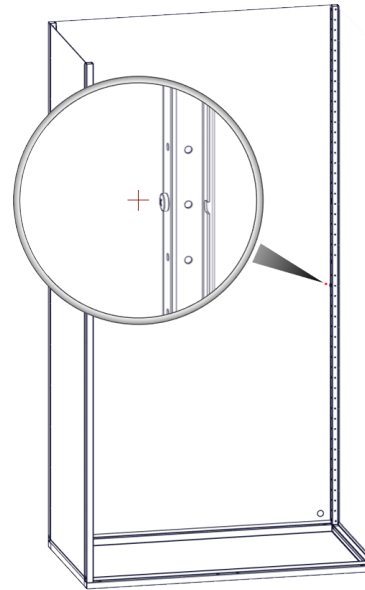
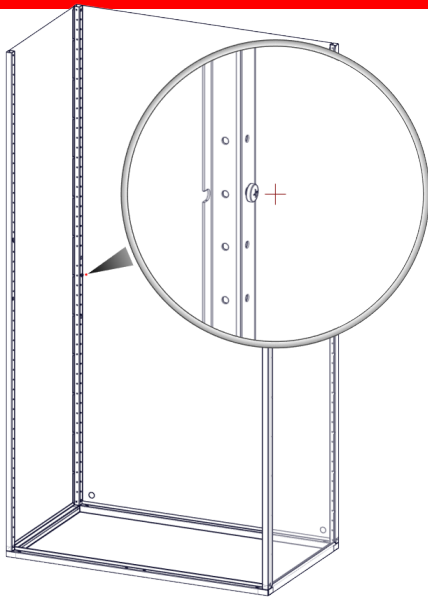




2B-2 With the back inserted install one 8709 screw on each side of the back about half way up. Note holes are to align to make sure back is in proper position.



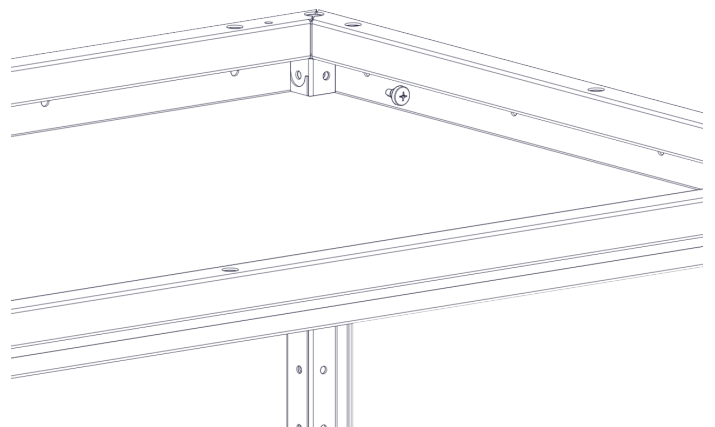
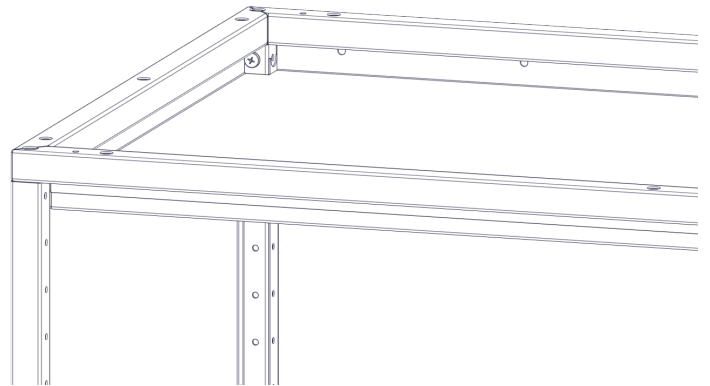
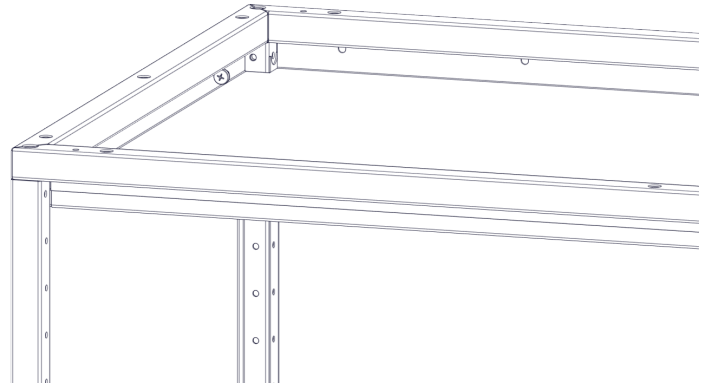
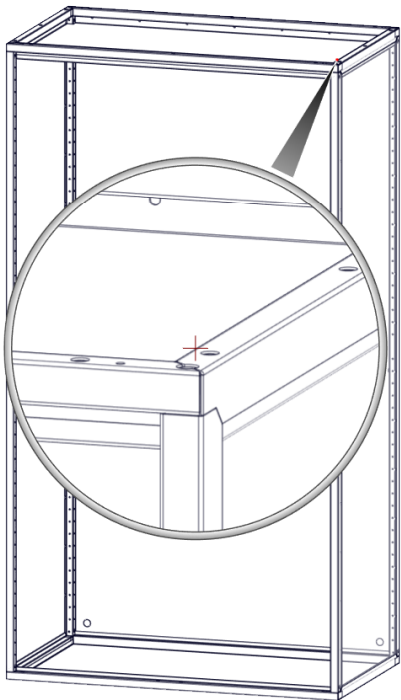
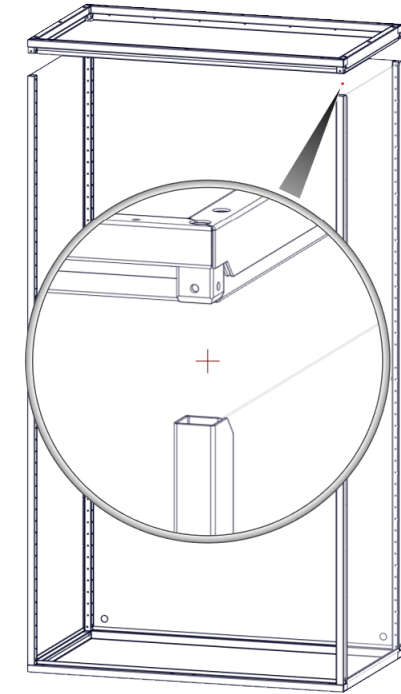
Fully Framed TA50 LOCKER – KD
Assembly Instructions



2C-1 Insert cast corner pieces of locker bottom into the side channels.

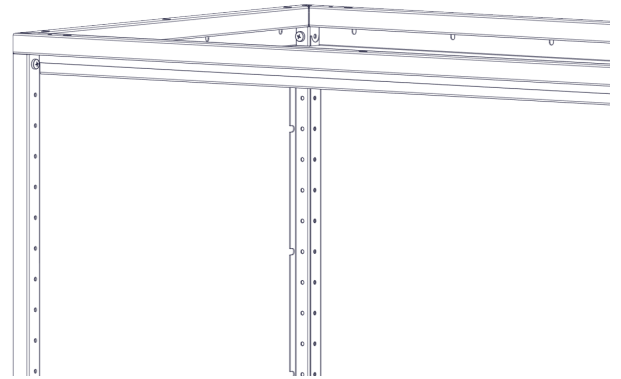
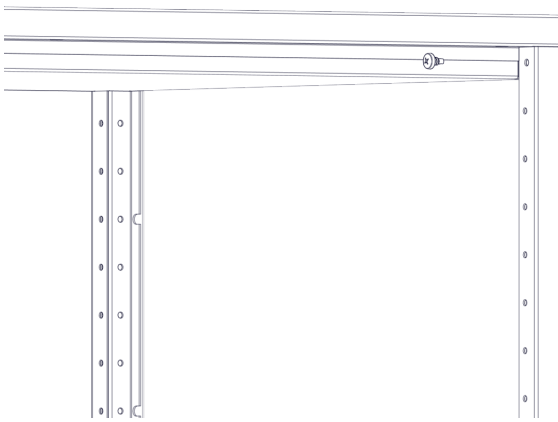
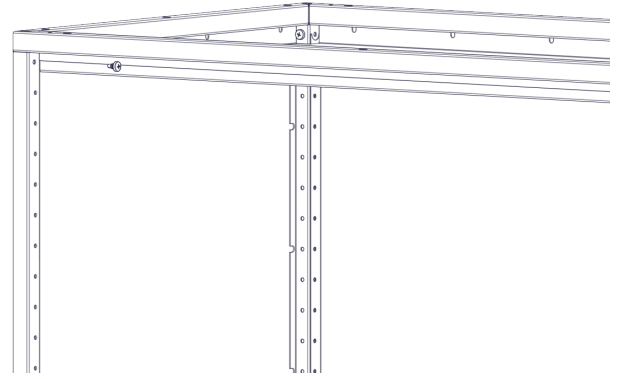
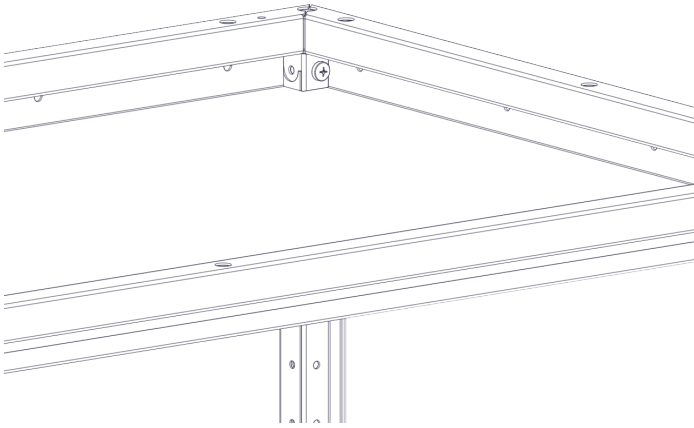
Locker bottom

Fully Framed TA50 LOCKER – KD Assembly Instructions

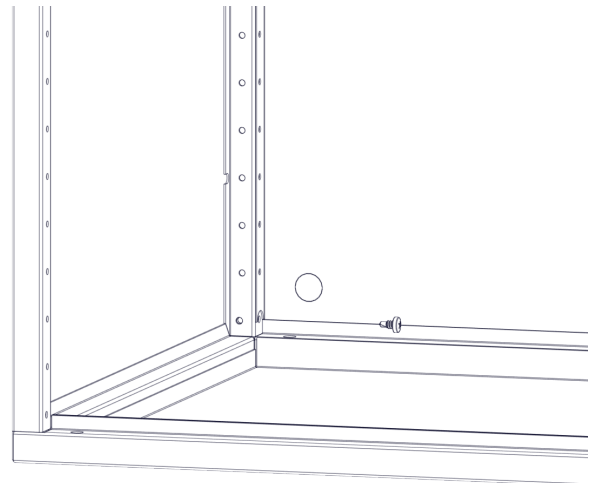
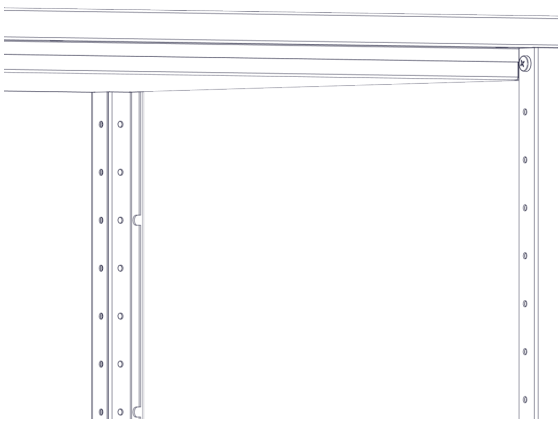


2C-2 Install one screw into each corner of the locker bottom as shown.

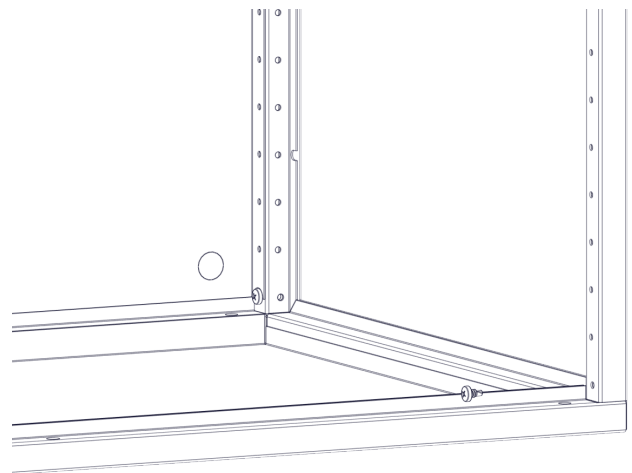
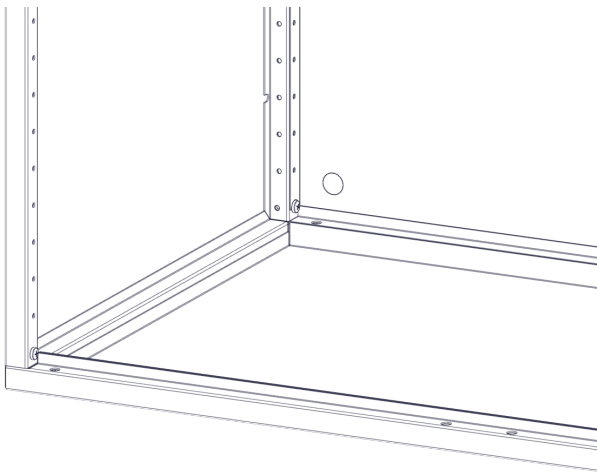
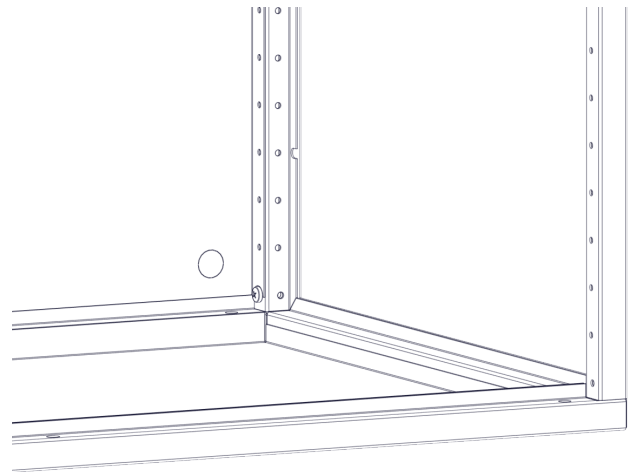
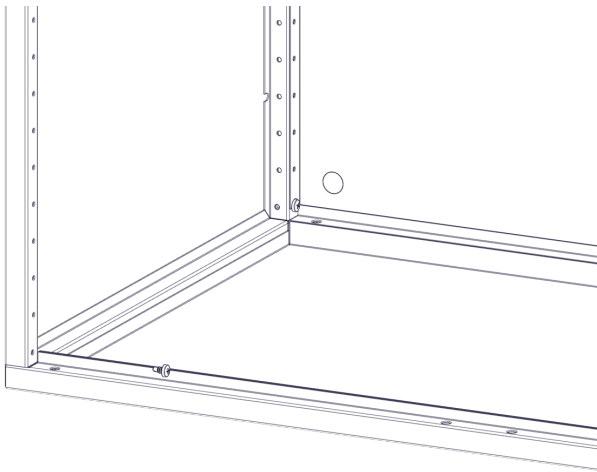
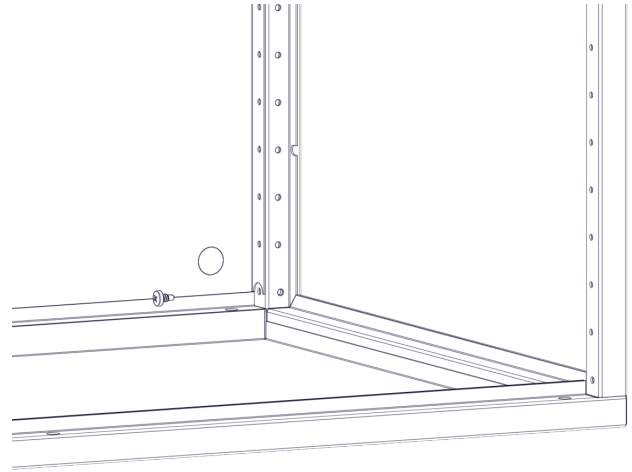
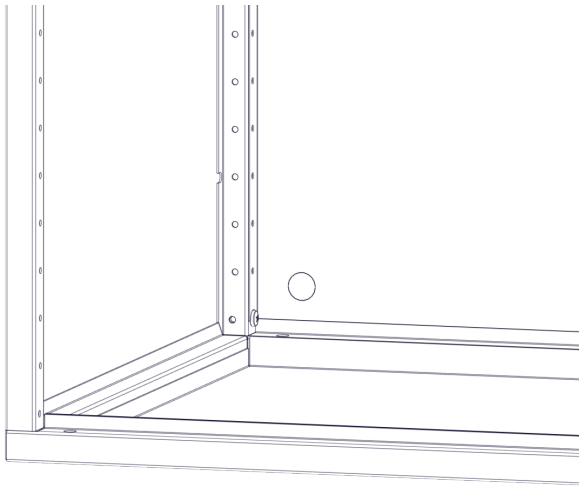
Fully Framed TA50 LOCKER – KD Assembly Instructions



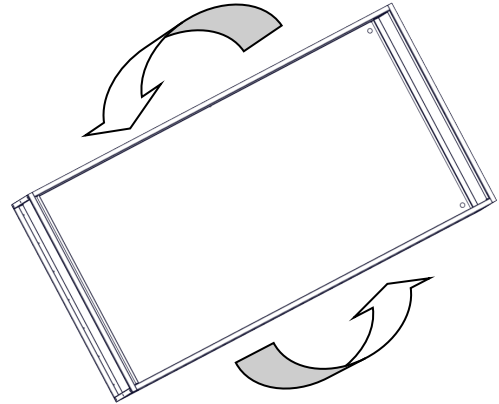
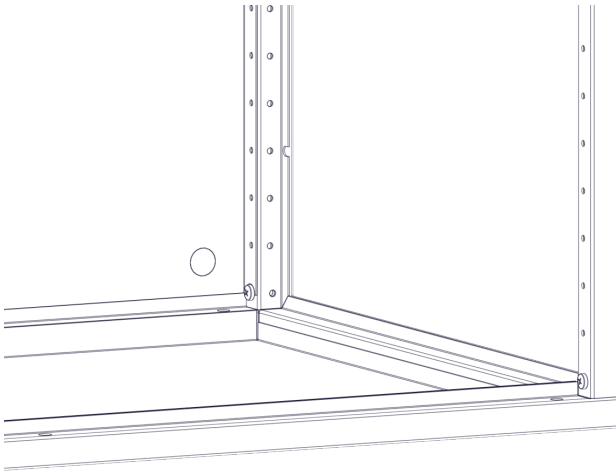
2D- Next install one screw into the locker top in each corner as shown.



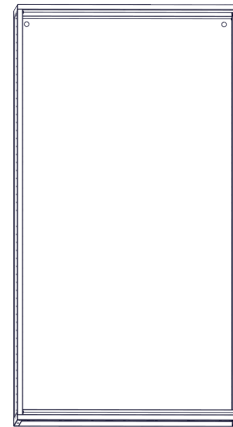
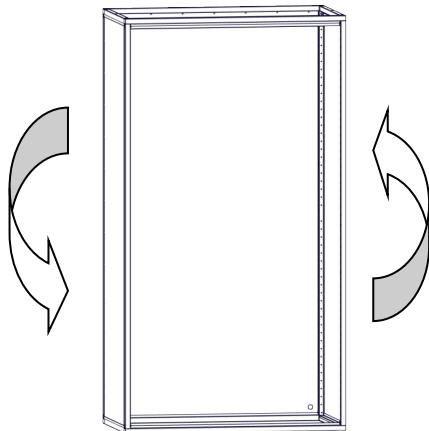
Fully Framed TA50 LOCKER - KD Assembly Instructions



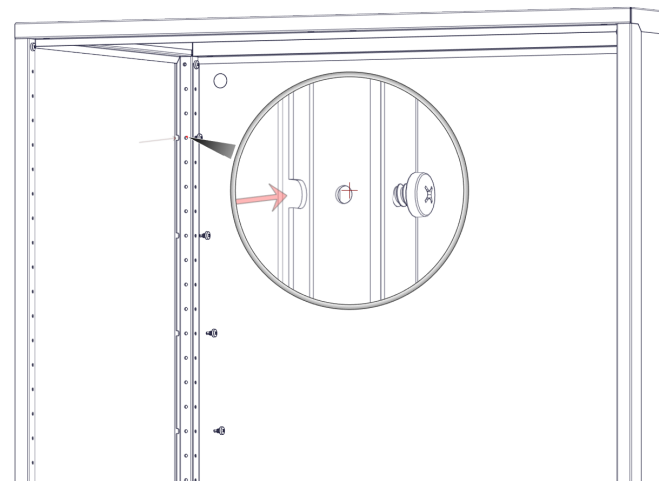
Fully Framed TA50 LOCKER – KD Assembly Instructions



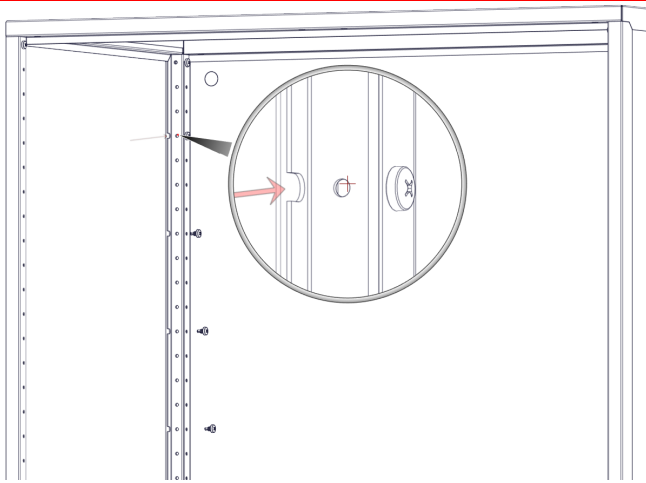
2E- Now rotate locker body so the bottom is on the ground.



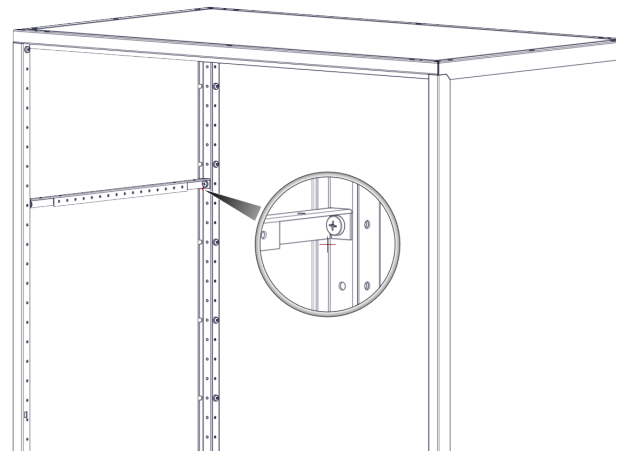
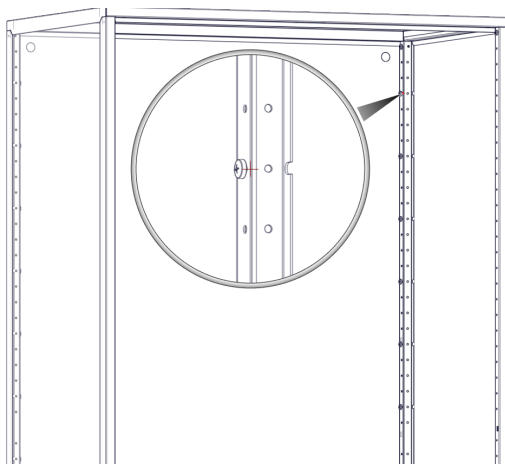
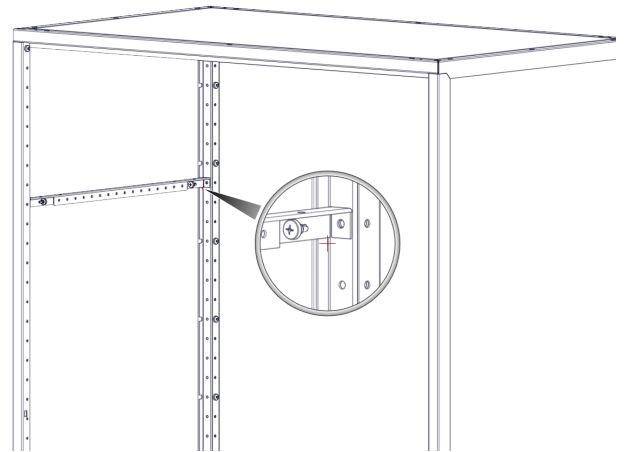
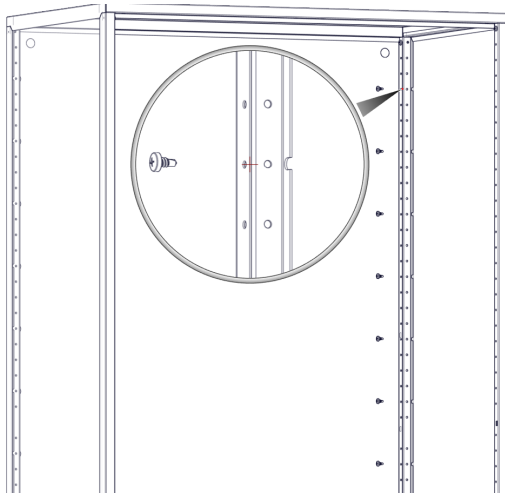
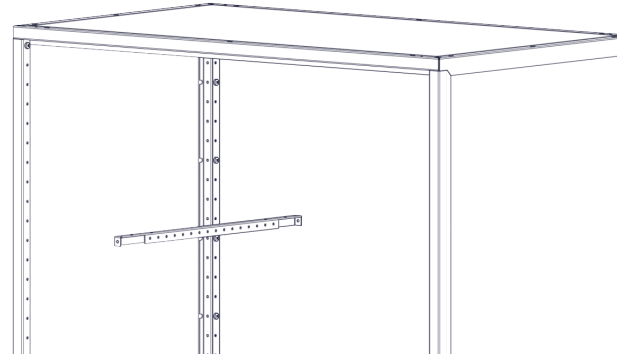
2F- Install screws to locker back at U cut locations (6 inch intervals) on each side.



Fully Framed TA50 LOCKER – KD Assembly Instructions



2G-1 Install mounting rails for shelf using one 8607 screw in the front upright and back upright.

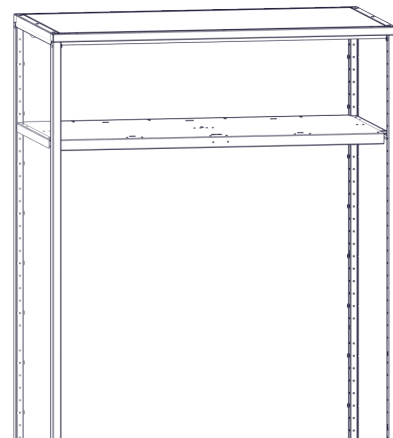
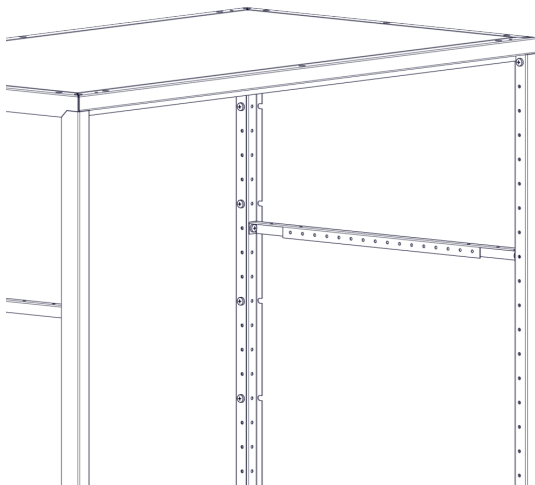
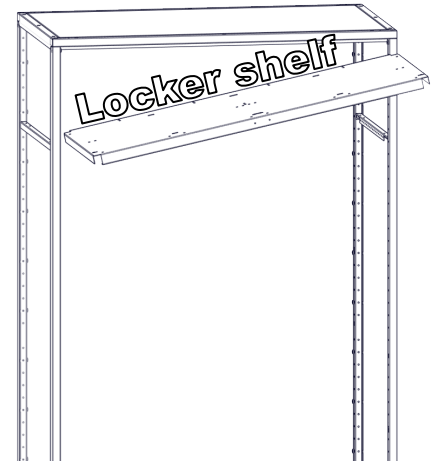
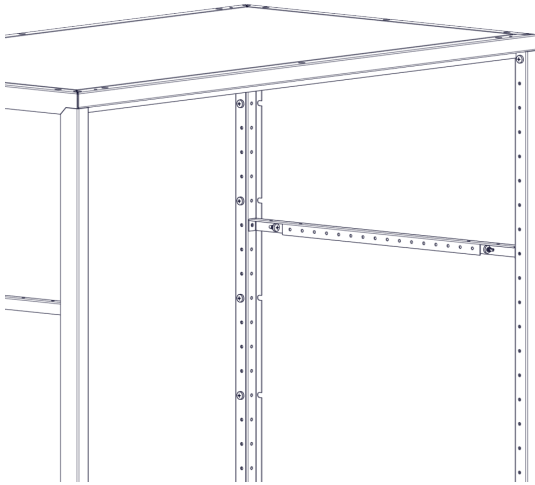


Fully Framed TA50 LOCKER – KD

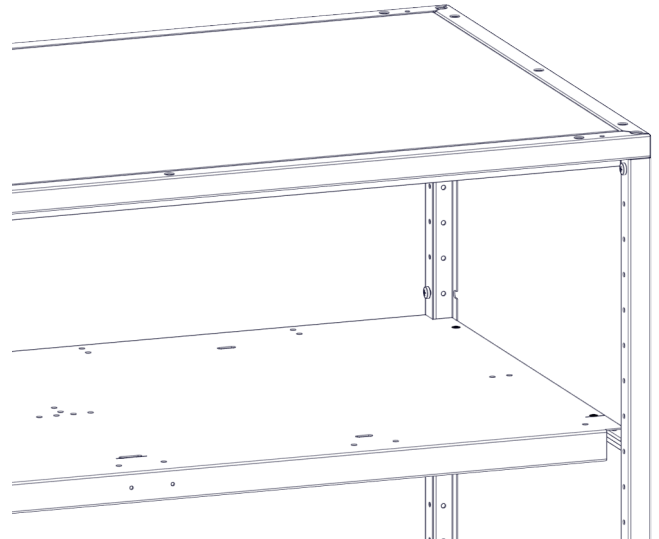
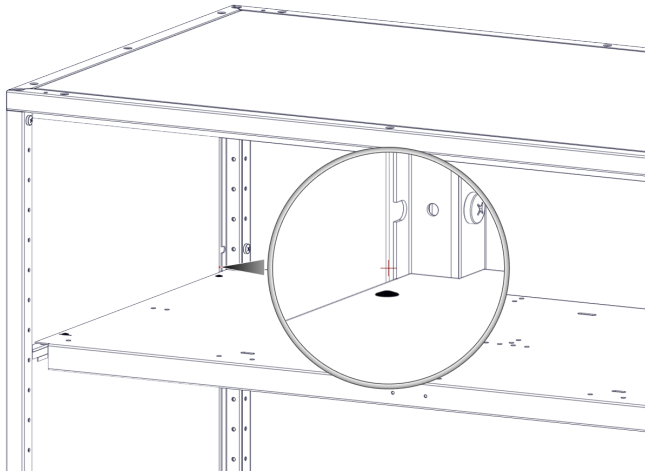
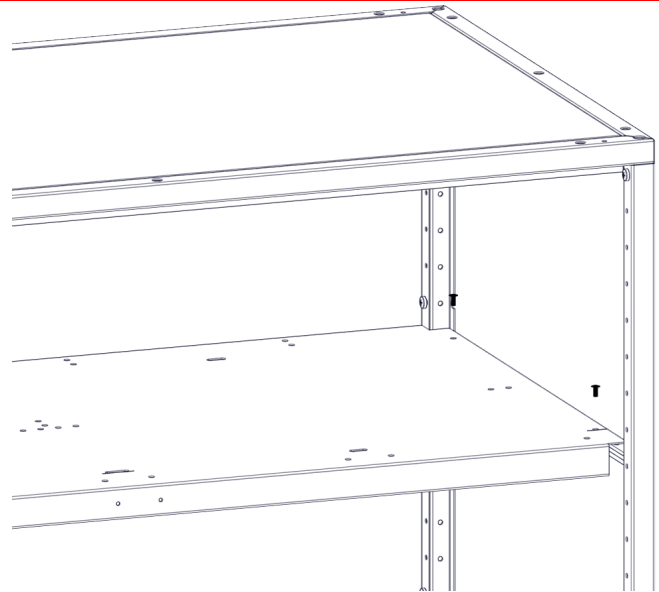
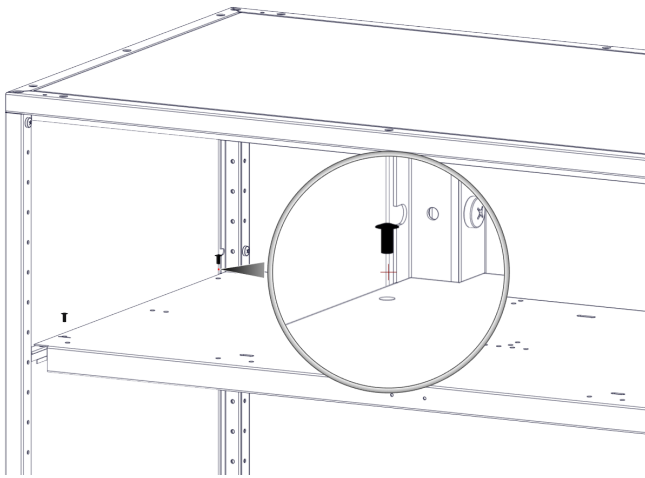
Assembly Instructions



2G-2 Insert shelf and attach shelf to rails using one rivet in each corner.



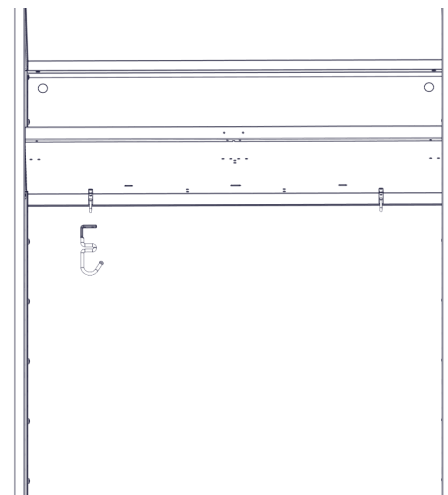
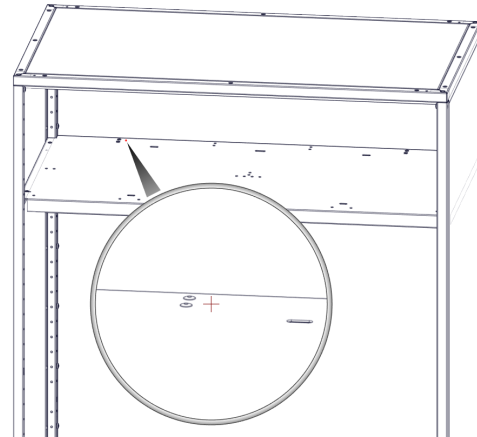
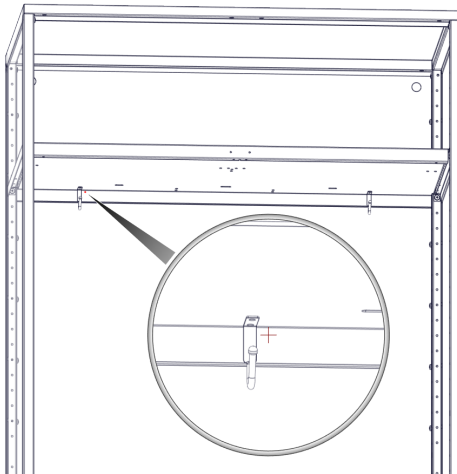
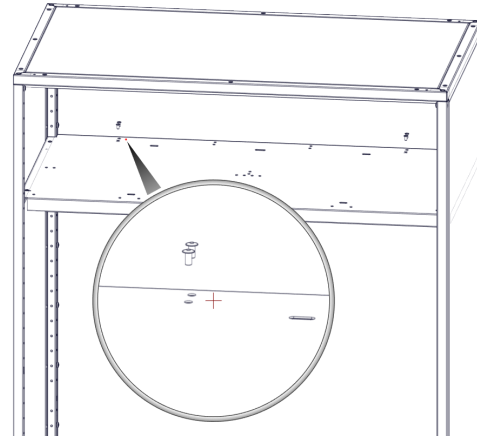
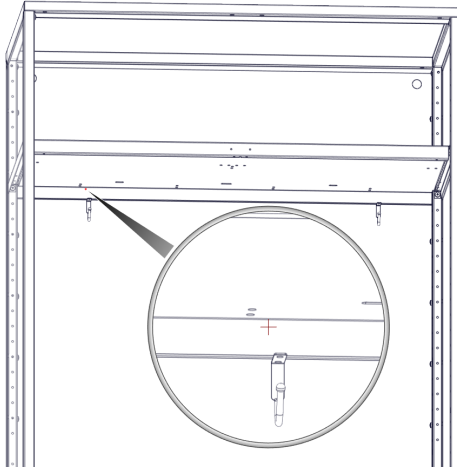
Fully Framed TA50 LOCKER - KD Assembly Instructions



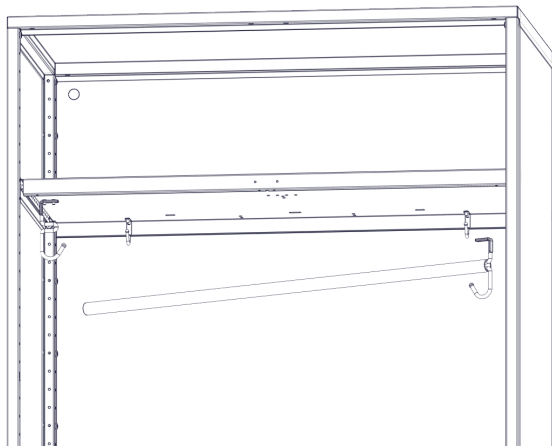
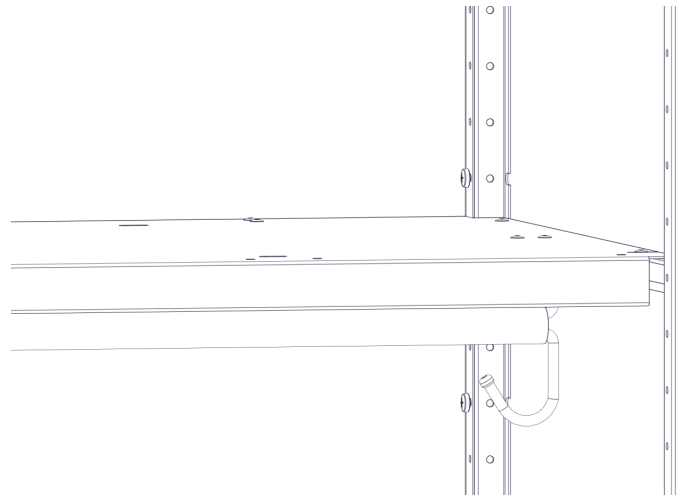
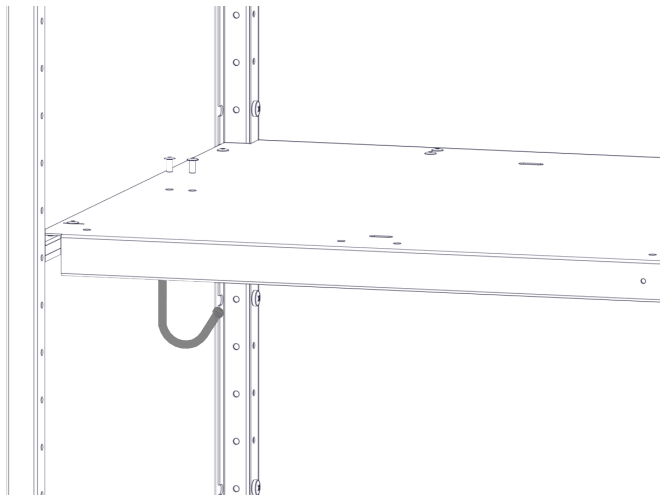
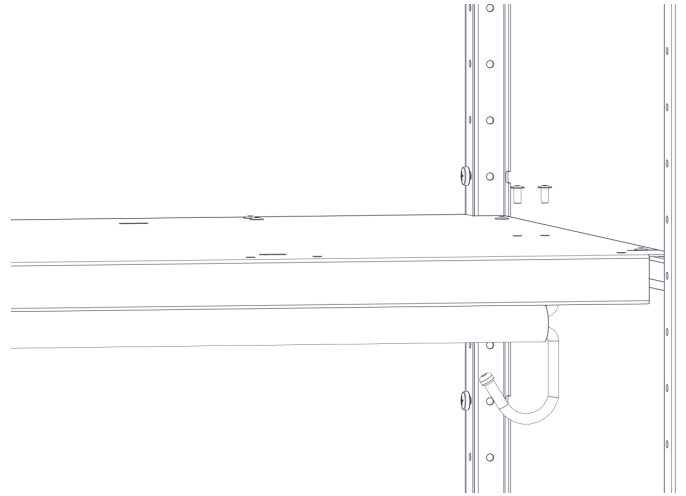
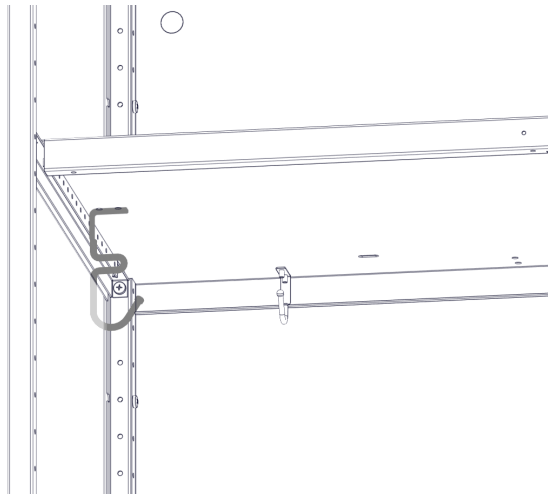
Fully Framed TA50 LOCKER - KD Assembly Instructions



2H-Now install 8696, 8717 coat hooks, and coat rod using two rivets per hook.

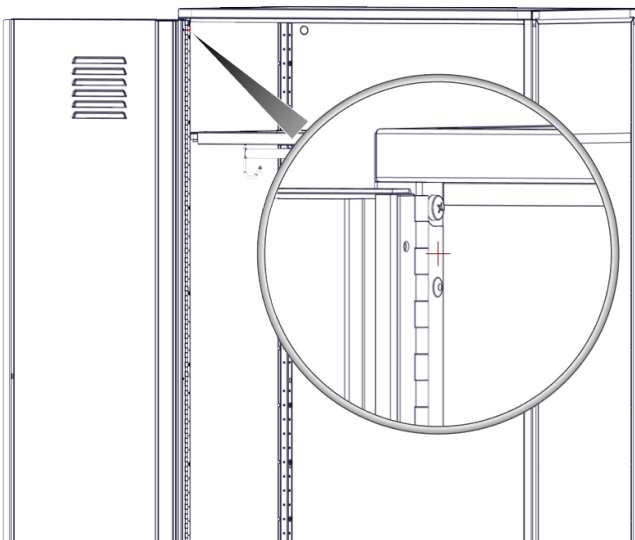
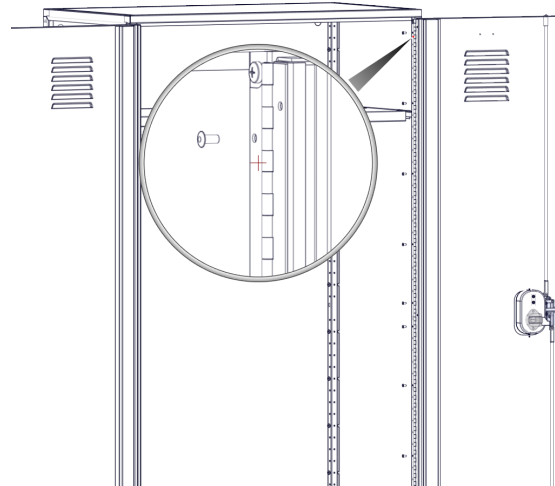
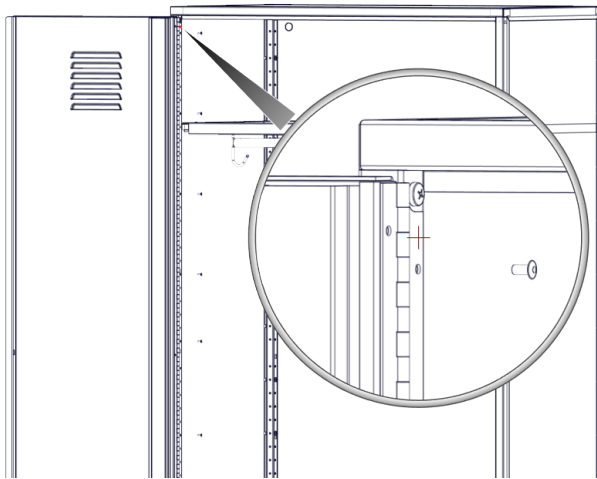
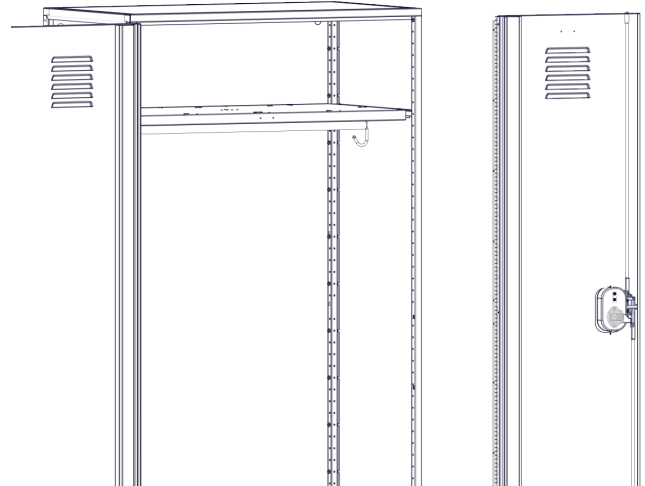
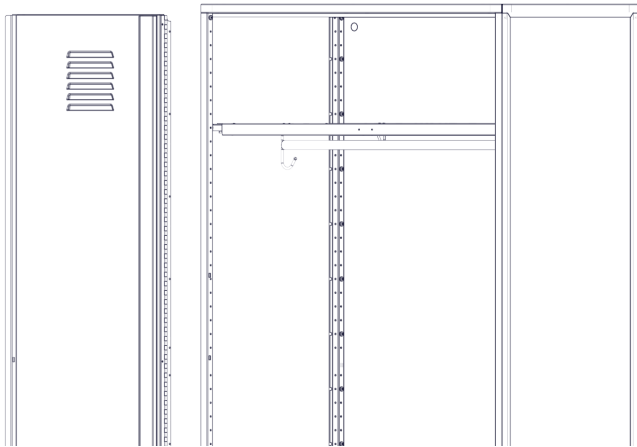


Fully Framed TA50 LOCKER - KD Assembly Instructions

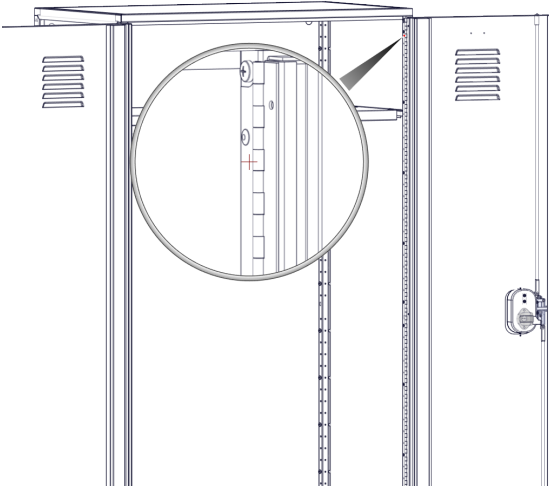


2I-Install doors using 8621 rivets at each hole location on hinge.

Fully Framed TA50 LOCKER - KD Assembly Instructions



Fully Framed TA50 LOCKER – KD Assembly Instructions



Assembly is now complete. Lockers to be floor and wall anchored and must be plumb and level after anchoring before use.

