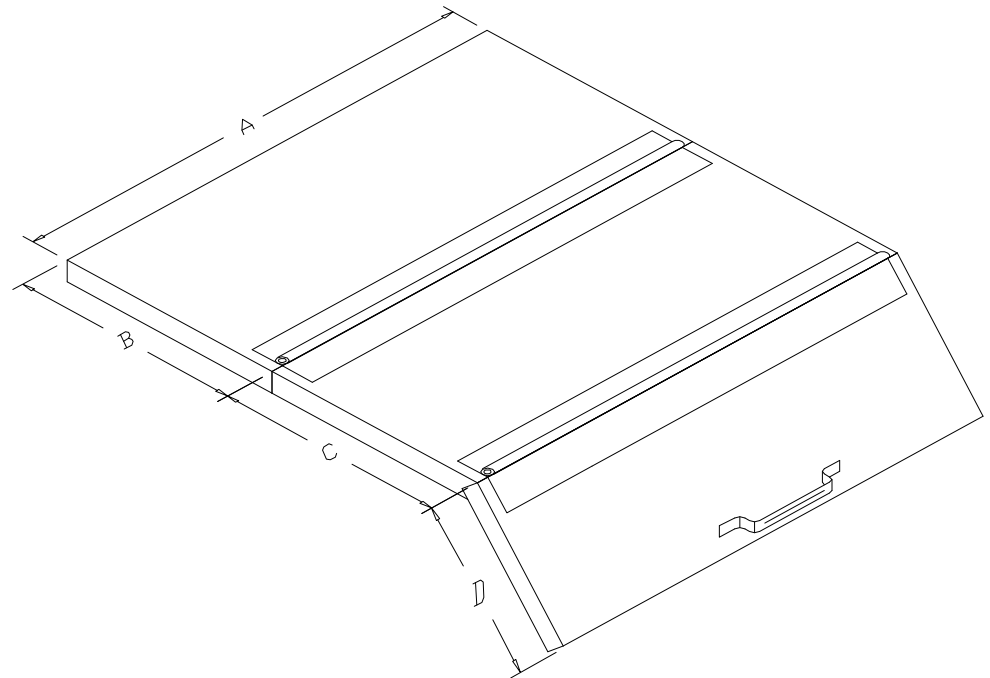


Two Piece Lid Assembly

Size	Part No.	A	B	C
1/4 yd	238519GY/YL	35"	21 3/8"	21 5/8"
1/3 yd	238520GY/YL	33"	24 3/8"	27 3/8"
1/2 yd	238521GY/YL	38 3/4"	26 1/8"	26 1/8"
3/4 yd	238523GY/YL	41"	29 7/8"	29 1/8"
1 yd	238525GY/YL	41"	33 7/8"	30 3/8"
1 1/2 yd	238527GY/YL	59"	33 1/8"	32 3/8"



Three Piece Lid Assembly

Size	Part No.	A	B	C	D
GEN II 2 yd	238529GY/YL	59"	30 7/8"	29 1/8"	16"
2 1/2 yd (N)	--	48"	30 7/8"	32 3/8"	26"
GEN II 2 1/2 yd (Y)	--	71"	30 7/8"	29 1/8"	16"
3 yd	238531GY/YL	59"	30 7/8"	32 3/8"	26"
4 yd	238533GY/YL	85 1/2"	30 7/8"	32 3/8"	26"
5 yd	B3144628 / B3144629	105 1/2"	30 7/8"	32 3/8"	26"

All lid are made from 11ga. material

Note: All dimensions are approximate some dimensions may very slightly per lid assembly