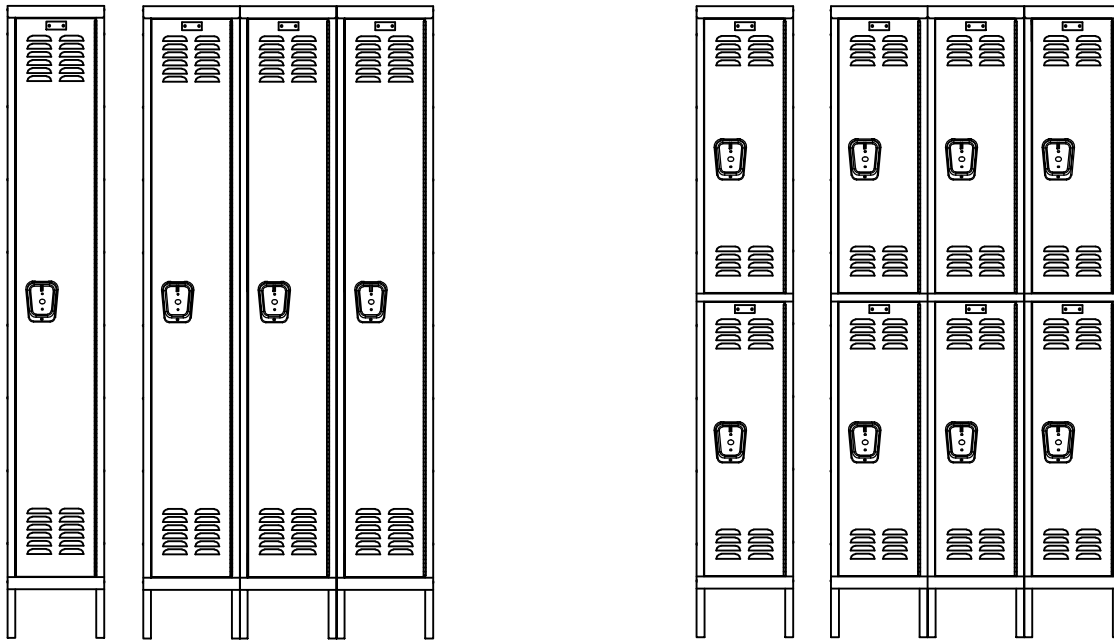


STAINLESS STEEL WARDROBE LOCKER ASSEMBLY INSTRUCTIONS



1 WIDE

3 WIDE

SINGLE TIER

1 WIDE

3 WIDE

DOUBLE TIER

General Instructions

1. Check material received against the packing list. First check the number of packages received and then check the contents of each package.
2. Check material received for damage. If damage has occurred, secure a "damage notation" from the carrier.
3. Identify each part as it is unpacked and put like parts together as close as possible to the working area in which they are to be assembled.
4. Be careful to use the correct hardware as specified in the assembly instructions.
5. Items with suffix (xx) are available options.

CAUTION

IN THE INTEREST OF SAFETY, ALL LOCKERS MUST BE SECURELY ANCHORED TO THE FLOOR AND/OR WALL.
FOR SAFETY, HANDLE ALL COMPONENTS CAREFULLY AND WEAR WORK-GLOVES WHEN ASSEMBLING LOCKERS.

INSTALL ALL UNITS PLUMB AND TIGHTEN ALL HARDWARE SECURELY.

RETAIN INSTRUCTIONS FOR FUTURE REFERENCE.

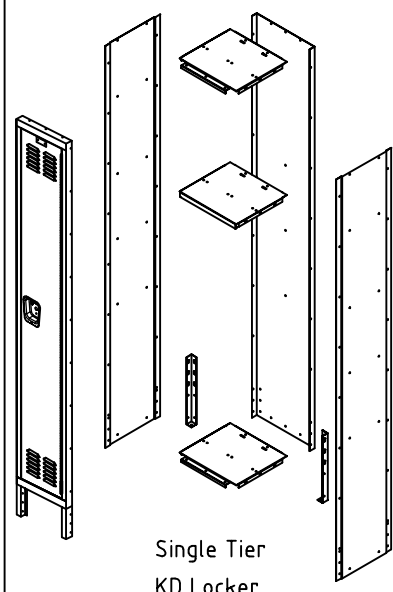


www.Hallowell-List.com

Phone (866) 566-0500

STAINLESS STEEL WARDROBE LOCKER ASSEMBLY INSTRUCTIONS

PACKAGE CONTENTS

REF. NO.	DESCRIPTION	PART NO.	1-WIDE QUANTITY		3-WIDE QUANTITY		
			1-TIER	2-TIER	1-TIER	2-TIER	
①	REAR PANEL	KRww72SS	1	1	3	3	 <p>Single Tier KD Locker</p> <p>PART NUMBER SUFFIX SHOWS WIDTH, DEPTH, HEIGHT AND TIER. CUSTOMER TO SPECIFY.</p>
②	RIGHT/LEFT SIDE PANEL	KP1872SS	2	2	4	4	
③	TOP/BOTTOM SHELF	KSww18SS	2	3	6	9	
④	HAT SHELF	KHww18SS	1	-	3	-	
⑤	SINGLE CEILING HOOK	H5K-SS	2	4	6	12	
⑥	DOUBLE CEILING HOOK	H7K-SS	1	2	3	6	
xx ⑦	COAT ROD BRACKET	TRH200	2	4	6	12	
xx ⑧	COAT ROD	KCRww	1	2	3	6	
⑨	DOOR FRAME ASSEMBLY	KDHFww78-tLV-SS	1	1	3	3	
x ⑩	DOOR	KDHww72-tLV-SS	1	2	3	6	
x ⑪	RECESSED HANDLE S.S.	TBECK2	1	2	3	6	
x ⑫	LOCK CHANNEL	KLhh-tSS	1	2	3	6	
x ⑬	CHANNEL STOP	CS002	2	4	6	12	
x ⑭	NYLON LATCH	DLB100B	2	4	6	12	
x ⑮	SPRING	LS100	2	4	6	12	
x ⑯	LOCK BRACKET	SLB101L-SS	1	2	3	6	
x ⑰	PLASTIC LIFTER	LC100B	1	2	3	6	
⑱	REAR LEG	KLg-SS	2	2	2	2	
x ⑲	BUMPER	KDB300	3	4	9	12	
⑳	NUMBER PLATE	NPH	1	2	3	6	
㉑	NUMBER PLATE RIVET	RV101SS	2	4	6	12	
㉒	3/8" SLOTLESS BOLT	MBT200SS	62	74	134	166	
㉓	HEX NUT	N201SS	60	70	128	154	
㉔	ESCUTCHEON PLATE	RPE100SS	1	2	3	6	
㉕	HI-DOME CAP NUT	N110SS	2	4	6	12	
x ㉖	RIVET (HANDLE)	RV102SS	1	2	3	6	
x ㉗	RIVET (HINGE)	RV102SS	7	8	21	24	

NOTE:

FOR OPTIONAL INDIVIDUAL SLOPE TOPS,
SEE SUPPLEMENTAL INSTRUCTION SHEET NO. ASY-H-KIST-B

FOR OPTIONAL 6" HIGH CLOSED METAL BASE,
SEE SUPPLEMENTAL INSTRUCTION SHEET NO. ASY-H-KCFB

- x SHIPS PRE-HUNG IN DOOR FRAME ASSEMBLY ⑨
- xx OPTIONAL ITEM

PART NO. LEGEND:

ww = WIDTH
dd = DEPTH
hh = HEIGHT (FRAME)
t = TIER

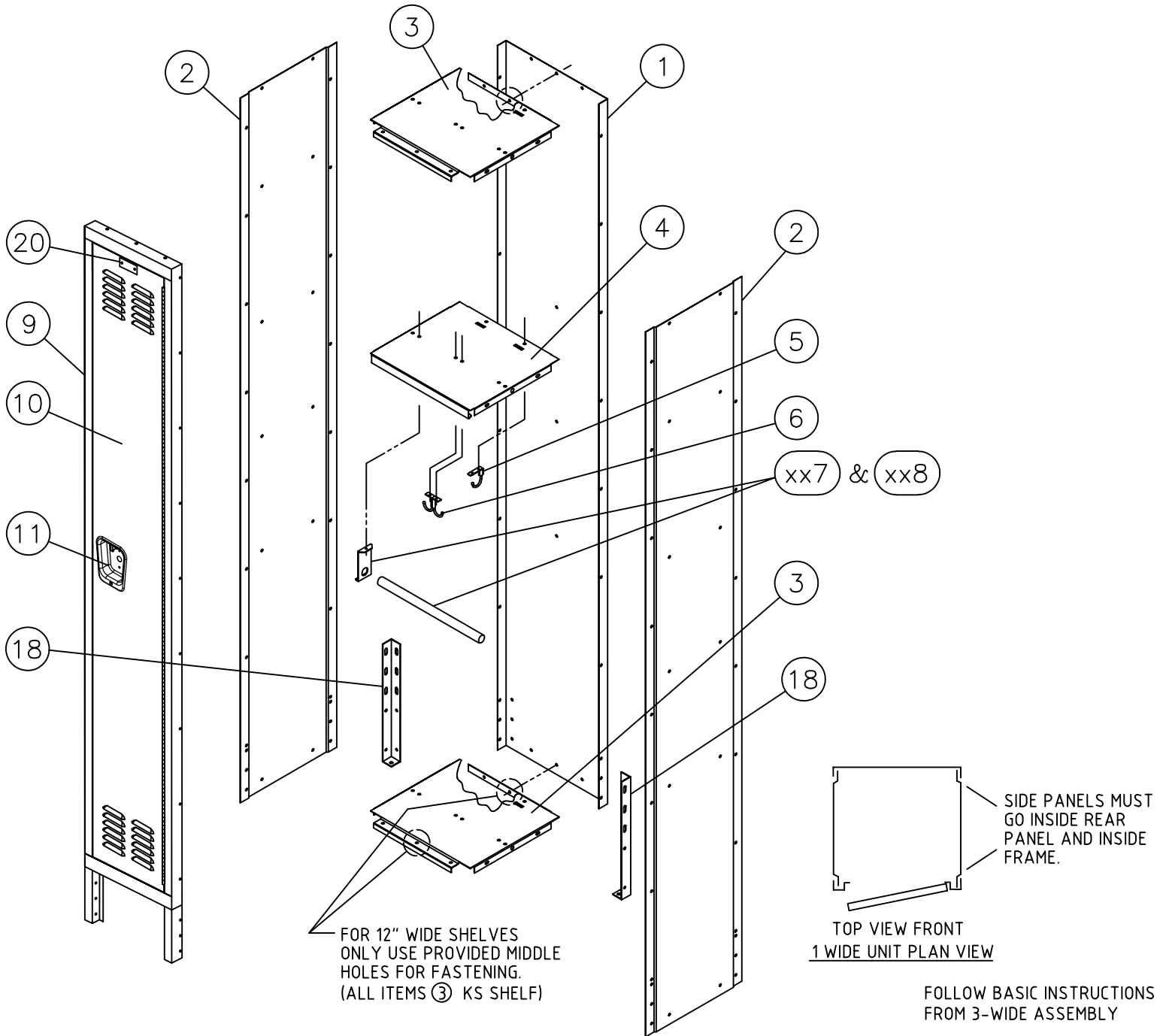
**TOOLS REQUIRED: 3/8" NUT
DRIVER (3/8" SOCKET MAY BE
SUBSTITUTED)**

TWO-YEAR WARRANTY

HALLOWELL K.D. LOCKERS ARE COVERED AGAINST ALL DEFECTS IN MATERIALS AND WORKMANSHIP EXCLUDING FINISH, DAMAGE RESULTING FROM DELIBERATE DESTRUCTION AND VANDALISM FOR A PERIOD OF TWO YEARS.



STAINLESS STEEL WARDROBE LOCKER ASSEMBLY INSTRUCTIONS



COAT ROD (KCR_{ww}) & COAT ROD BRACKETS (TRH 200) ARE OPTIONAL.

HALLOWELL MAKES EVERY EFFORT TO ENSURE THAT ALL UNITS SHIP COMPLETE; HOWEVER, SHOULD YOUR UNIT CONTAIN MISSING OR DAMAGED PARTS, REPLACEMENTS MAY BE OBTAINED FROM HALLOWELL. TO OBTAIN PARTS, FOLLOW THESE INSTRUCTIONS.

PLEASE PROVIDE THE FOLLOW INFORMATION:

MODEL NUMBER

PURCHASE DATE

DESCRIPTION OF PART(S) NEEDED & PART NUMBER(S) AS SHOWN IN PARTS LIST

COMPANY NAME & CONTACT PERSON

COLOR

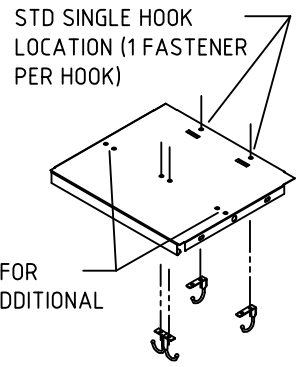
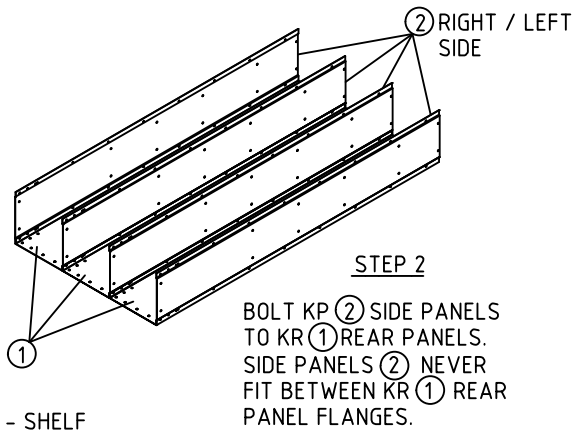
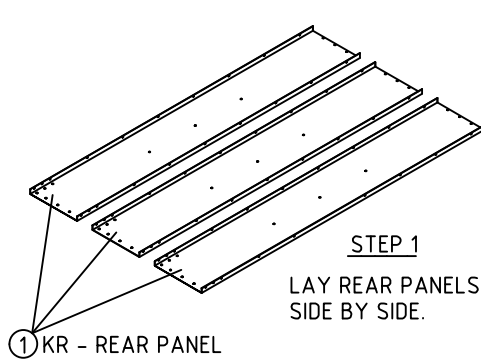
WHERE THE PRODUCT WAS PURCHASED FROM

IF REQUESTING PARTS BY TELEPHONE, ASK FOR CUSTOMER SERVICE & PROVIDE THE ABOVE INFORMATION.

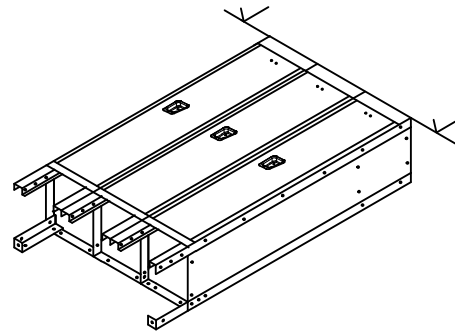
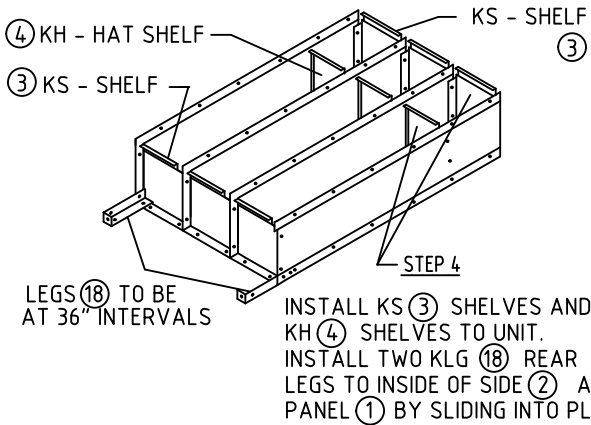


PREMIUM K.D. WARDROBE STOCK LOCKER ASSEMBLY INSTRUCTIONS

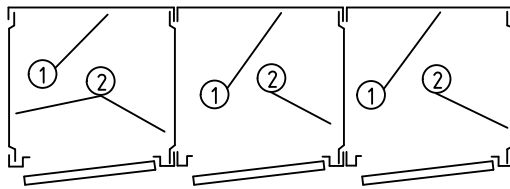
(A GROUPING OF 3-WIDE SINGLE TIER LOCKERS ILLUSTRATED)



INSTALL DOUBLE CEILING HOOK (H7K) ⑥ AND SINGLE CEILING HOOKS (H5K) ⑤ TO (KH) ④ HAT SHELF.

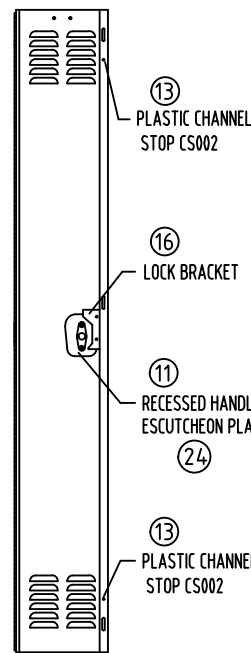


ASSEMBLY OF SINGLE ROW LOCKERS
NEVER PUT SIDE PANELS BETWEEN FRAMES OR REAR PANELS.

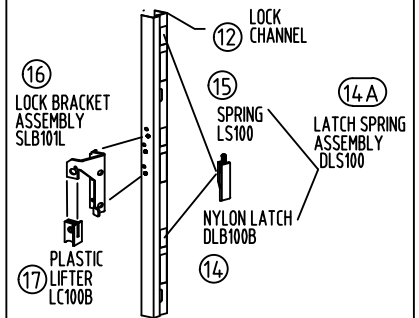


SINGLE TIER EXAMPLE - 3 WIDE UNIT PLAN VIEW

SIDE PANELS MUST GO INSIDE REAR PANEL AND INSIDE FRAME.



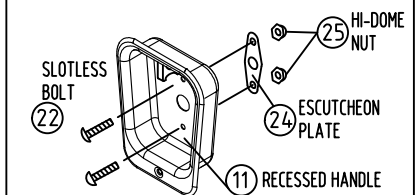
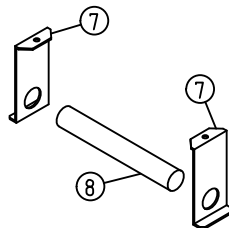
INSIDE DOOR VIEW



EXPLODED VIEW OF LOCK CHANNEL

OPTIONAL COAT ROD BRACKETS TO BE BOLTED TO UNDERSIDE OF HAT SHELF WITH COAT ROD IN BETWEEN.

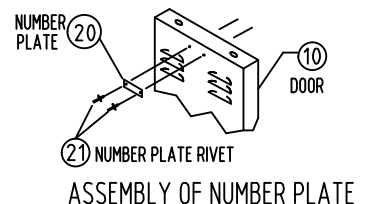
xx ⑦ COAT ROD BRACKETS (xxTRH 200)
xx ⑧ COAT ROD (xxKCRww)



ASSEMBLY OF ESCUTCHEON PLATE

⑥ DOUBLE CEILING HOOK (H7K)
TO BE BOLTED TO UNDERSIDE OF HAT SHELF.

⑤ SINGLE CEILING HOOK (H5K)
TO BE BOLTED TO UNDERSIDE OF HAT SHELF.



ASSEMBLY OF NUMBER PLATE

