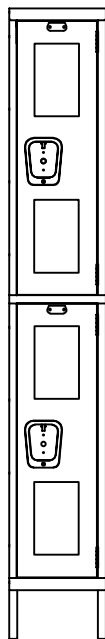
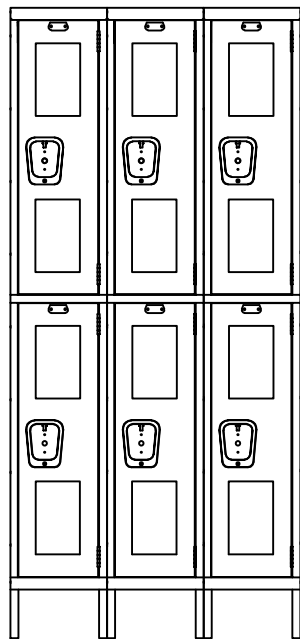


SAFETY-VIEW K. D. WARDROBE STOCK LOCKER ASSEMBLY INSTRUCTIONS

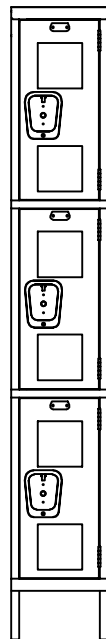


1 WIDE

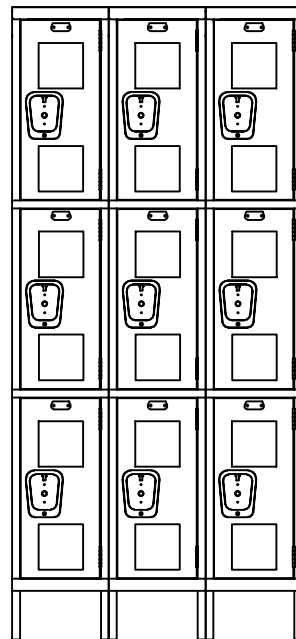


3 WIDE

DOUBLE TIER



1 WIDE



3 WIDE

TRIPLE TIER

General Instructions

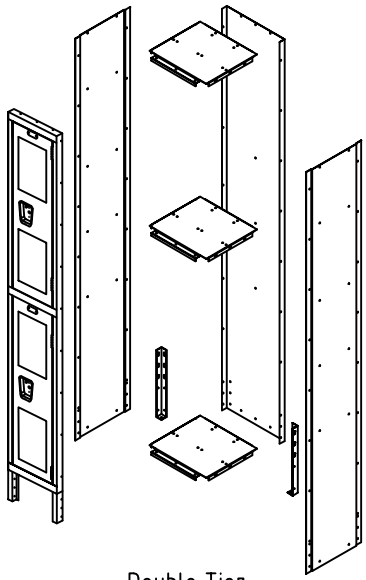
1. Check material received against the packing list. First check the number of packages received and then check the contents of each package.
2. Check material received for damage. If damage has occurred, secure a "damage notation" from the carrier.
3. Identify each part as it is unpacked and put like parts together as close as possible to the working area in which they are to be assembled.
4. Be careful to use the correct hardware as specified in the assembly instructions.
5. Items with suffix (xx) are available options.

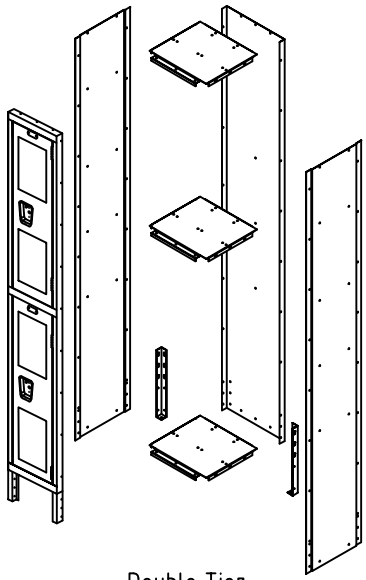
CAUTION

IN THE INTEREST OF SAFETY, ALL LOCKERS MUST BE SECURELY ANCHORED TO THE FLOOR AND/OR WALL.
FOR SAFETY, HANDLE ALL COMPONENTS CAREFULLY AND WEAR WORK-GLOVES WHEN ASSEMBLING LOCKERS.
INSTALL ALL UNITS PLUMB AND TIGHTEN ALL HARDWARE SECURELY.
RETAIN INSTRUCTIONS FOR FUTURE REFERENCE.

SAFETY-VIEW K.D. WARDROBE STOCK LOCKER ASSEMBLY INSTRUCTIONS

PACKAGE CONTENTS

REF. NO.	DESCRIPTION	PART NO.	1-WIDE QUANTITY		3-WIDE QUANTITY		
			2-TIER	3-TIER	2-TIER	3-TIER	
①	REAR PANEL	KR1272	1	1	3	3	 <p>Double Tier KD Locker</p>
②	RIGHT/LEFT SIDE PANEL	KPdd72	2	2	4	4	
③	TOP/BOTTOM SHELF	KS12dd	3	4	9	12	
④	SINGLE CEILING HOOK	H5K	4	-	12	-	
⑤	DOUBLE CEILING HOOK	H7K	2	3	6	9	
⑥	DOOR FRAME ASSEMBLY	KDF1278-tSV	1	1	3	3	
× ⑦	DOOR	KD1272-tSV	2	3	6	9	
× ⑧	DRAWN HANDLE S.S.	TBECK2	2	3	6	9	
× ⑨	LOCK CHANNEL	KLhh-t	2	3	6	9	
× ⑩	CHANNEL STOP	CS002	4	6	12	18	
× ⑪	NYLON LATCH	DLB100B	4	6	12	18	
× ⑫	SPRING	LS100	4	6	12	18	
× ⑬	LOCK BRACKET	SLB101L	2	3	6	9	
× ⑭	PLASTIC LIFTER	LC100B	2	3	6	9	
⑮	REAR LEG	KLK	2	2	2	2	
× ⑯	BUMPER	KDB300	4	6	12	18	
⑰	NUMBER PLATE	NPG100	2	3	6	9	
⑱	NUMBER PLATE RIVET	RV101P	4	6	12	18	
⑲	3/8" SLOTLESS BOLT	MBT200	74	70	166	188	
⑳	HEX NUT	N201	70	64	154	170	
㉑	ESCUTCHEON PLATE	RPE100	2	3	6	9	
㉒	HI-DOME CAP NUT	N110	4	6	12	18	
× ㉓	RIVET (HANDLE)	RV102	2	3	6	9	
× ㉔	SAFETY VIEW LEXAN	SVL72-t	4	6	12	18	
× ㉕	LEXAN RETAINER	SVLR	4	6	12	18	
× ㉖	RETAINER RIVET	RV100	8	12	24	36	
× ㉗	RIVET (HINGE)	RV102	8	12	24	36	



Double Tier
KD Locker

PART NO. LEGEND:

dd = DEPTH
hh = HEIGHT (FRAME)
t = TIER

PART NUMBER SUFFIX SHOWS
WIDTH, DEPTH, HEIGHT AND TIER.
CUSTOMER TO SPECIFY.

NOTE:

FOR OPTIONAL INDIVIDUAL SLOPE TOPS,
SEE SUPPLEMENTAL INSTRUCTION SHEET NO. ASY-L-KIST-A

FOR OPTIONAL 6" HIGH CLOSED METAL BASE,
SEE SUPPLEMENTAL INSTRUCTION SHEET NO. ASY-L-KIST-B

× SHIPS PRE-HUNG IN FRAME ASSEMBLY.

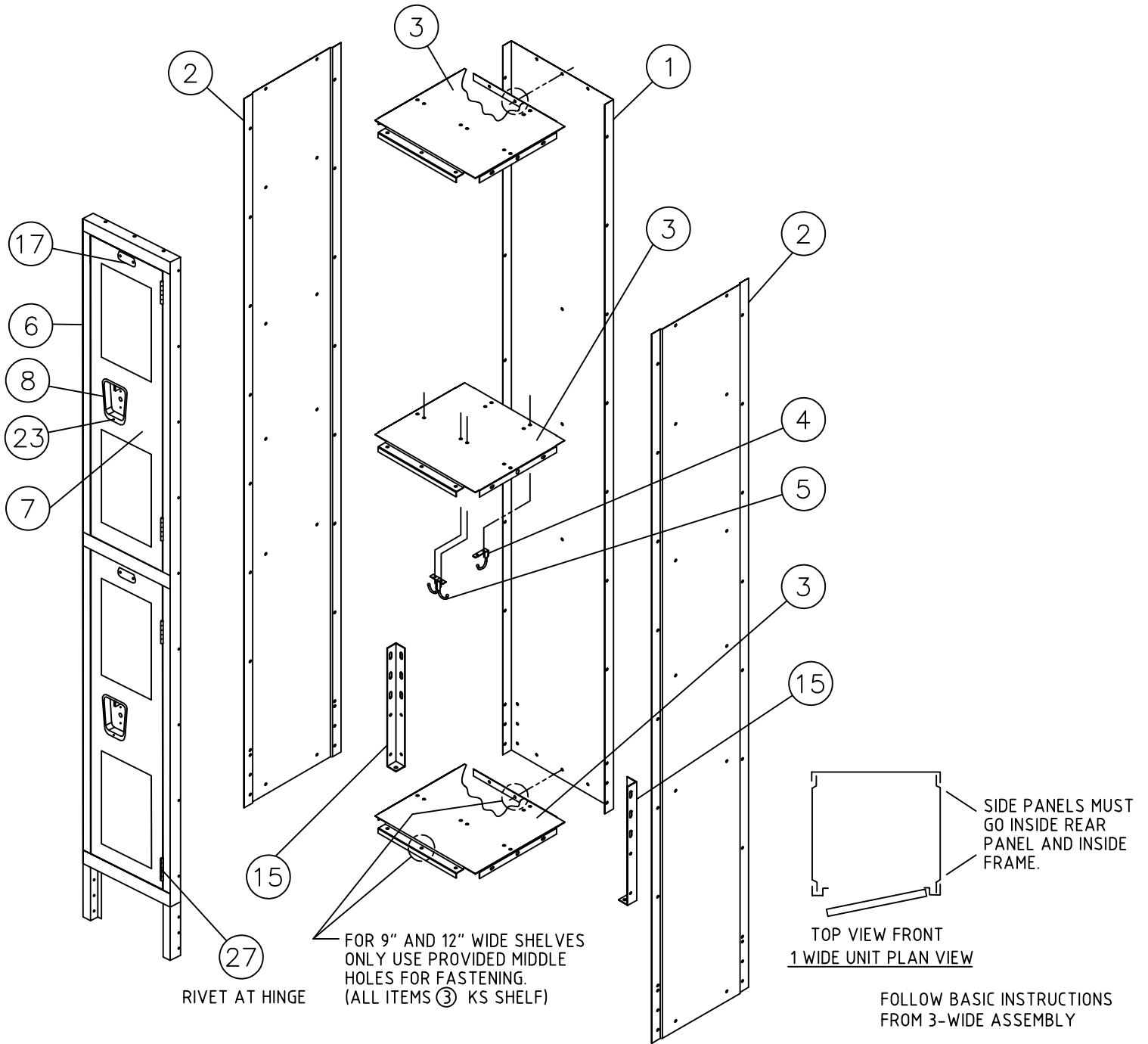
**TOOLS REQUIRED: 3/8" NUT
DRIVER (3/8" SOCKET MAY BE
SUBSTITUTED)**

**REMOVE PROTECTIVE FILM
FROM SAFETY-VIEW PANELS
AFTER INSTALLATION**

TWO-YEAR WARRANTY

LOCKERS ARE COVERED AGAINST ALL DEFECTS IN MATERIALS AND WORKMANSHIP EXCLUDING FINISH, DAMAGE RESULTING FROM DELIBERATE DESTRUCTION AND VANDALISM FOR A PERIOD OF TWO YEARS.

SAFETY-VIEW K.D. WARDROBE STOCK LOCKER ASSEMBLY INSTRUCTIONS



EVERY EFFORT IS MADE TO ENSURE THAT ALL UNITS SHIP COMPLETE; HOWEVER, SHOULD YOUR UNIT CONTAIN MISSING OR PARTS, REPLACEMENTS MAY BE OBTAINED. TO OBTAIN PARTS, FOLLOW THESE INSTRUCTIONS.

PLEASE PROVIDE THE FOLLOW INFORMATION:

MODEL NUMBER

PURCHASE DATE

DESCRIPTION OF PART(S) NEEDED & PART NUMBER(S) AS SHOWN IN PARTS LIST

COMPANY NAME & CONTACT PERSON

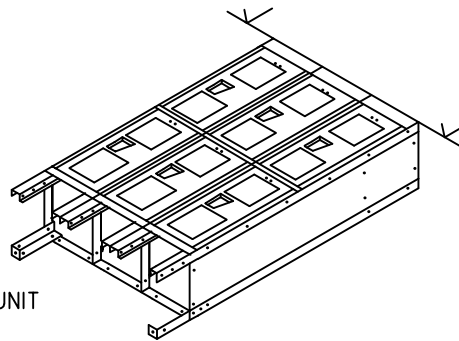
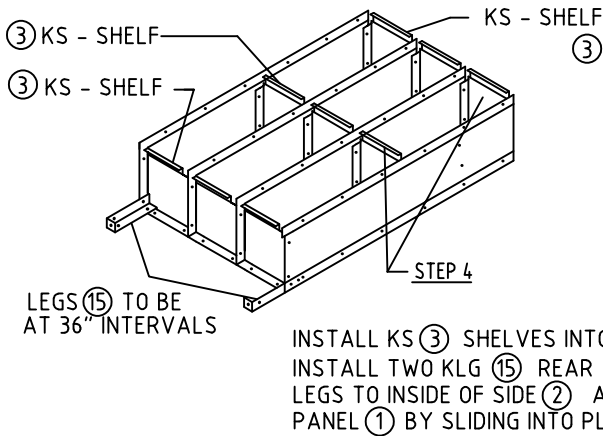
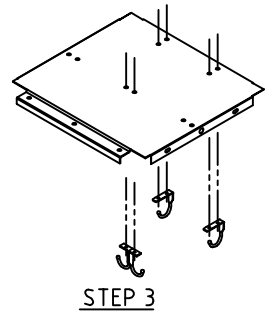
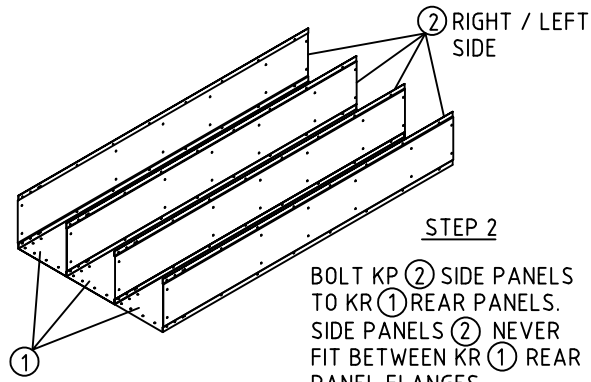
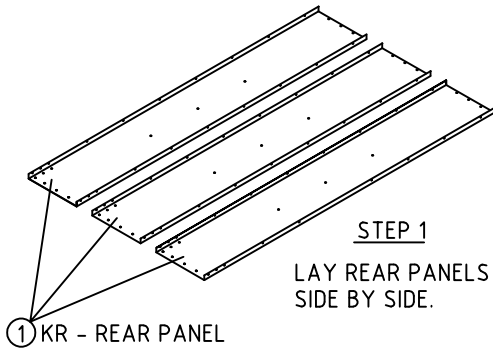
COLOR

WHERE THE PRODUCT WAS PURCHASED FROM

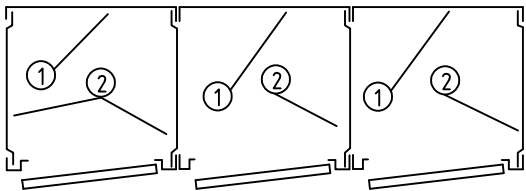
IF REQUESTING PARTS BY TELEPHONE, ASK FOR CUSTOMER SERVICE & PROVIDE THE ABOVE INFORMATION.

SAFETY-VIEW K.D. WARDROBE STOCK LOCKER ASSEMBLY INSTRUCTIONS

(A GROUPING OF 3-WIDE SINGLE TIER LOCKERS ILLUSTRATED)

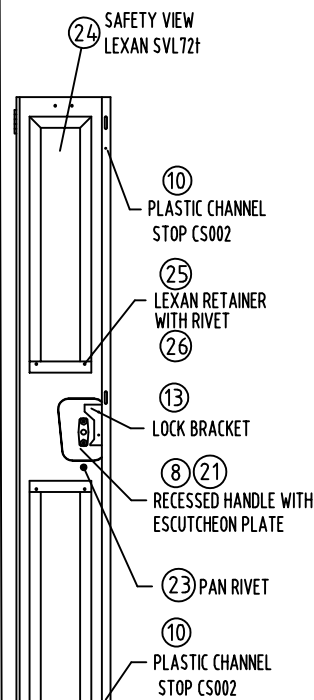


ASSEMBLY OF SINGLE ROW LOCKERS
NEVER PUT SIDE PANELS BETWEEN FRAMES OR REAR PANELS.

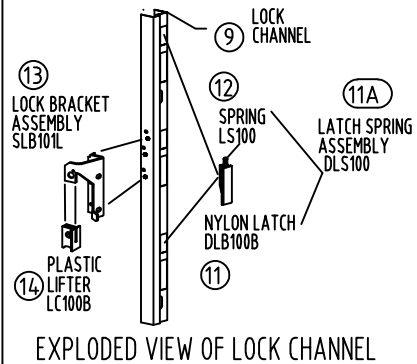


SINGLE TIER EXAMPLE - 3 WIDE UNIT PLAN VIEW

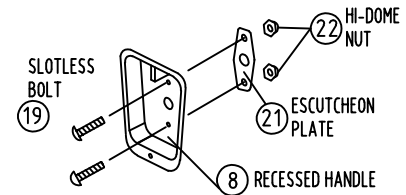
SIDE PANELS MUST GO INSIDE REAR PANEL AND INSIDE FRAME.



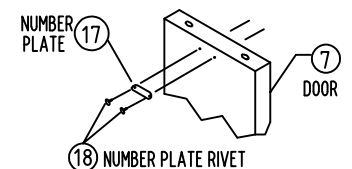
INSIDE DOOR VIEW



EXPLODED VIEW OF LOCK CHANNEL



ASSEMBLY OF ESCUTCHEON PLATE



ASSEMBLY OF NUMBER PLATE

