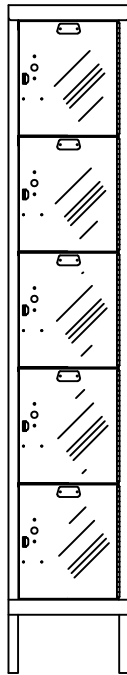
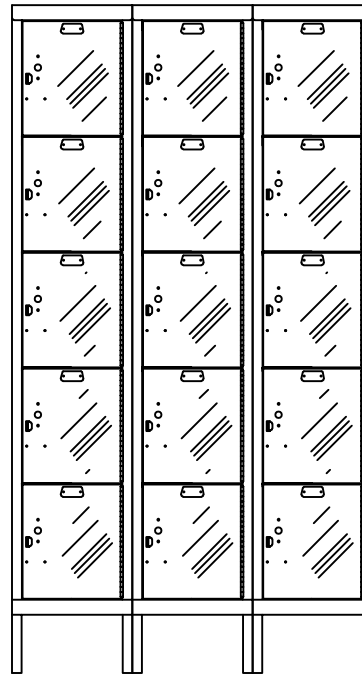


# SAFETY-VIEW PLUS K. D. 5-TIER STOCK LOCKER ASSEMBLY INSTRUCTIONS



1 WIDE  
5 TIER  
FRONT VIEW



3 WIDE  
5 TIER  
FRONT VIEW

## General Instructions

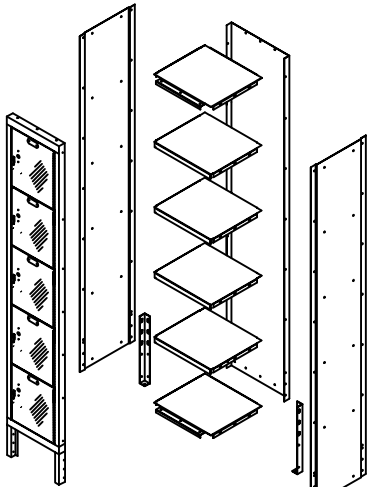
1. Check material received against the packing list. First check the number of packages received and then check the contents of each package.
2. Check material received for damage. If damage has occurred, secure a "damage notation" from the carrier.
3. Identify each part as it is unpacked and put like parts together as close as possible to the working area in which they are to be assembled.
4. Be careful to use the correct hardware as specified in the assembly instructions.
5. Items with suffix (xx) are available options.

## CAUTION

IN THE INTEREST OF SAFETY, ALL LOCKERS MUST BE SECURELY ANCHORED TO THE FLOOR AND/OR WALL.  
FOR SAFETY, HANDLE ALL COMPONENTS CAREFULLY AND WEAR WORK-GLOVES WHEN ASSEMBLING LOCKERS.  
INSTALL ALL UNITS PLUMB AND TIGHTEN ALL HARDWARE SECURELY.  
RETAIN INSTRUCTIONS FOR FUTURE REFERENCE.

# SAFETY-VIEW PLUS K.D. 5-TIER STOCK LOCKER ASSEMBLY INSTRUCTIONS

## 5-TIER PACKAGE CONTENTS

REF. NO.	DESCRIPTION	PART NO.	1 WIDE QUANTITY 6 TIER		3 WIDE QUANTITY 6 TIER		 <p style="text-align: center;">1-Wide 5-Tier KD Locker</p>
①	REAR PANEL	KRww60	1		3		
②	RIGHT/LEFT SIDE PANEL	KPdd60	2		4		
③	TOP/BOTTOM SHELF	KSwwdd	2		6		
④	INTERMEDIATE SHELF	KHwwdd	4		12		
⑤	DOOR FRAME ASSEMBLY	LKDFww66-5SVP	1		3		
× ⑥	DOOR	LKDww72-6SVP	5		15		
⑦	BOX DOOR LATCH PULL	KBLP100	5		15		
⑧	NUMBER PLATE	NPG100	5		15		
⑨	NUMBER PLATE RIVET	RV101P	10		30		
⑩	REAR LEG	KLG	2		2		
⑪	3/8" SLOTLESS BOLT	MBT200	82		176		
⑫	HEX NUT	N201	72		145		
⑬	HI-DOME CAP NUT	N110	10		30		
× ⑭	PIANO HINGE	×PH11	5		15		
× ⑮	RIVET (HINGE)	RV102	10		30		

PART NUMBER SUFFIX SHOW  
WIDTH, DEPTH, HEIGHT AND TIER  
CUSTOMER TO SPECIFY.

### NOTE:

FOR OPTIONAL INDIVIDUAL SLOPE TOPS,  
SEE SUPPLEMENTAL INSTRUCTION SHEET NO. ASY-L-KIST-A

FOR OPTIONAL 6" HIGH CLOSED METAL BASE,  
SEE SUPPLEMENTAL INSTRUCTION SHEET NO. ASY-L-KIST-B

× SHIPS PRE-HUNG IN FRAME ASSEMBLY.

### PART NO. LEGEND:

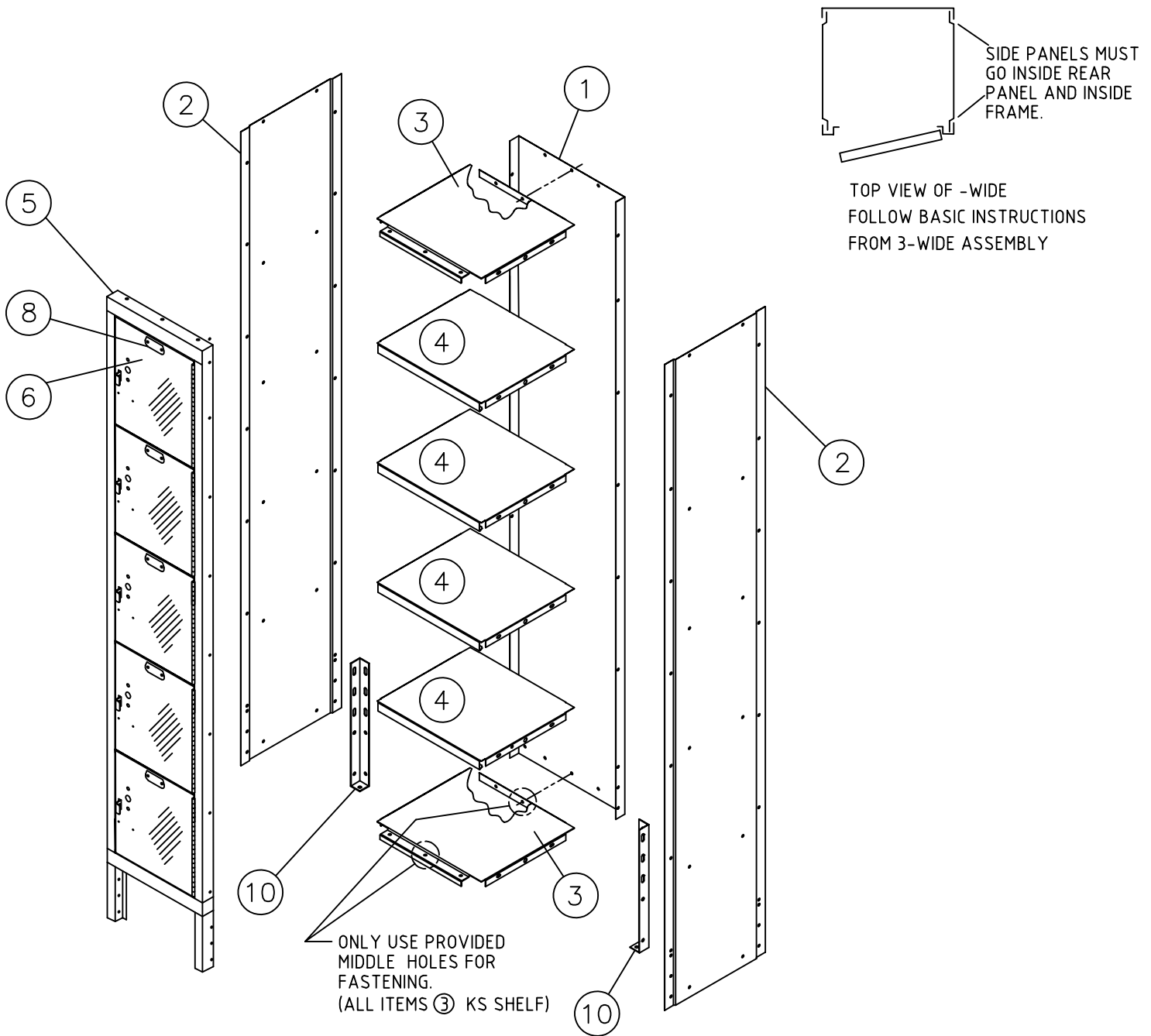
dd = DEPTH  
ww = WIDTH

**TOOLS REQUIRED: 3/8" NUT  
DRIVER (3/8" SOCKET MAY BE  
SUBSTITUTED)**

## TWO-YEAR WARRANTY

LOCKERS ARE COVERED AGAINST ALL DEFECTS IN MATERIALS AND WORKMANSHIP EXCLUDING FINISH, DAMAGE RESULTING FROM DELIBERATE DESTRUCTION AND VANDALISM UNDER THIS SECTION FOR A PERIOD OF TWO YEARS.

# SAFETY-VIEW PLUS K.D. 5-TIER STOCK LOCKER ASSEMBLY INSTRUCTIONS



EVERY EFFORT IS MADE TO ENSURE THAT ALL UNITS SHIP COMPLETE. HOWEVER, SHOULD YOUR UNIT CONTAIN MISSING OR DAMAGED PARTS, REPLACEMENTS MAY BE OBTAINED. TO OBTAIN PARTS, FOLLOW THESE INSTRUCTIONS.

## PLEASE PROVIDE THE FOLLOW INFORMATION:

MODEL NUMBER

PURCHASE DATE

DESCRIPTION OF PART(S) NEEDED & PART NUMBER(S) AS SHOWN IN PARTS LIST

COMPANY NAME & CONTACT PERSON

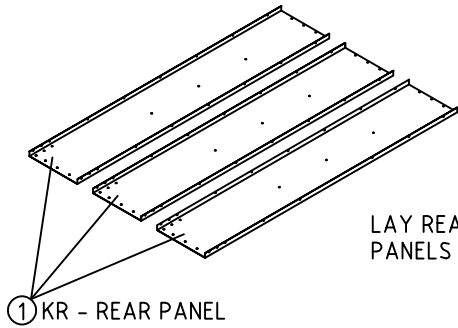
COLOR

WHERE THE PRODUCT WAS PURCHASED FROM

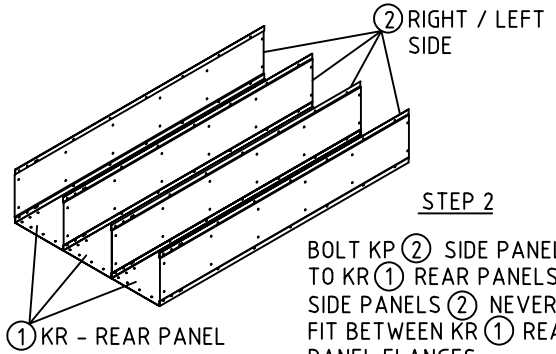
IF REQUESTING PARTS BY TELEPHONE, ASK FOR CUSTOMER SERVICE & PROVIDE THE ABOVE INFORMATION.

# SAFETY-VIEW PLUS K.D. 5 TIER STOCK LOCKER ASSEMBLY INSTRUCTIONS

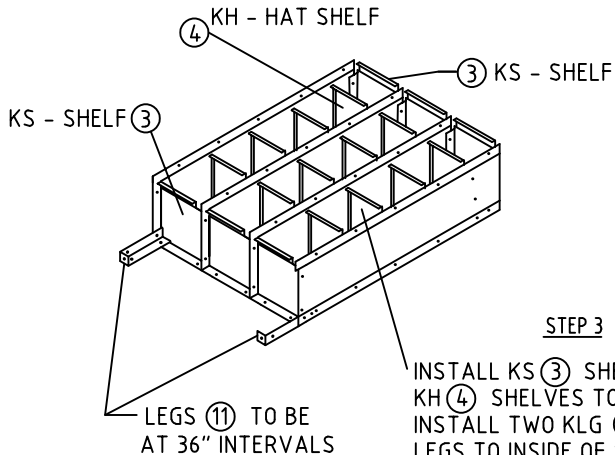
(A GROUPING OF (3) THREE 6-TIER LOCKERS ILLUSTRATED)



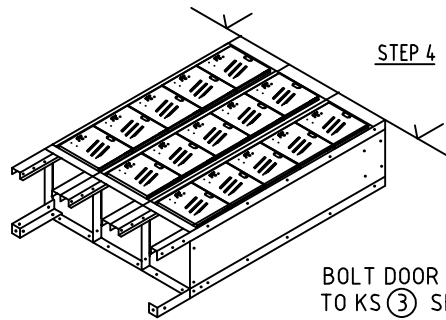
**STEP 1**  
LAY REAR KR ①  
PANELS SIDE BY SIDE.



**STEP 2**  
BOLT KP ② SIDE PANELS  
TO KR ① REAR PANELS.  
SIDE PANELS ② NEVER  
FIT BETWEEN KR ① REAR  
PANEL FLANGES.

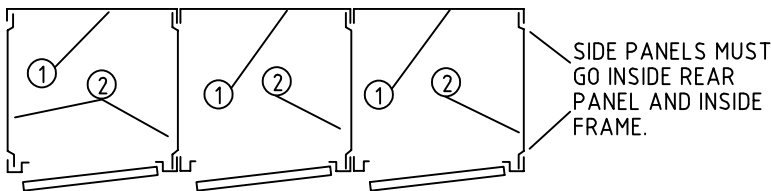


**STEP 3**  
INSTALL KS ③ SHELVES AND  
KH ④ SHELVES TO UNIT.  
INSTALL TWO KLG ⑪ REAR  
LEGS TO INSIDE OF SIDE ② AND REAR  
PANEL ① BY SLIDING INTO PLACE FROM BOTTOM.

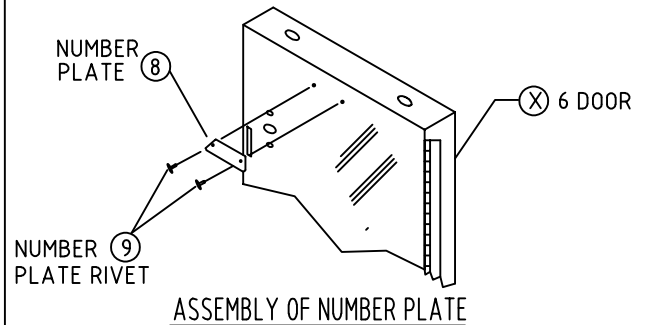


**STEP 4**  
BOLT DOOR AND FRAME ⑤ ASSEMBLIES  
TO KS ③ SHELVES AND KP ② SIDE PANELS.  
STAND UNIT UP AND ALIGN LOCKER  
TOPS EVENLY. TIGHTEN ALL BOLTS  
AND NUTS.  
NOTE: WHEN BOLTING ONE UNIT TO  
ANOTHER, OMIT ONE SET OF BOLTS  
IN END FRAME AND SIDE TO MINIMIZE  
GROWTH FROM BOLT HEADS.

## ASSEMBLY OF SINGLE ROW LOCKERS NEVER PUT SIDE PANELS BETWEEN FRAMES.

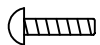


3 WIDE UNIT PLAN VIEW



ASSEMBLY OF NUMBER PLATE

## HARDWARE USED FOR MAIN LOCKER ASSEMBLY



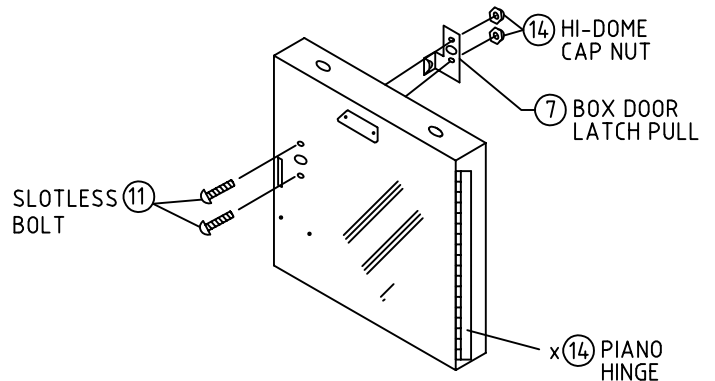
10 - 24 x 3/8"

MBT200 SLOTLESS BOLT ⑪



N201 HEX NUT ⑫

TIGHTEN NUT WITH A NUT DRIVER OR WRENCH  
(SCREW IS TAMPER RESISTANT).



ASSEMBLY OF LATCH PULL