



ROLL-A-POST™

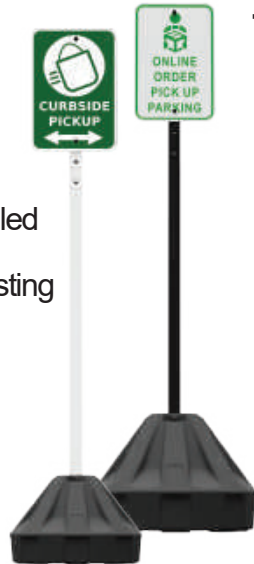
Plastic or Rubber Base
Curbside - Portable
Sign Stands



Portable Post with PLASTIC BASE

Two Sizes: 18"W & 24"W

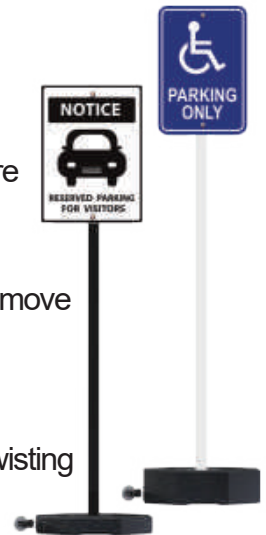
- Durable, thick walled plastic bases
 - no rust, dents, or cracking
- Wheels for easy relocation
 - sturdy plastic wheels come pre-installed
- Square plastic post eliminates sign twisting
 - available in white and black
 - no special bracket needed
 - cap for top of post included
- Withstands strong winds without tipping over when filled with sand
- Large fill and drain holes
- Lightweight plastic reduces shipping costs
- Hardware for attaching a sign included
- Made in the U.S.A.



Portable Post with RUBBER BASE

Three Sizes: 30, 60, & 90 lbs.

- Durable, thick, recycled rubber
 - Won't chip, crack, or crumble
 - resistant to weather, oil, salt, moisture
 - UV light and temperature resistant
- Molded-in Hand-grips
- Optional wheels make signs easy to move
 - polyurethane lined wheels
 - durable and quiet
 - zinc plated hardware
- Square plastic post eliminates sign twisting
 - available in white and black
- Hardware for attaching a sign included
- Stack 30 and 60 lb. bases for 90 lbs.
- Made in the U.S.A.



Available Colors

Roll-A-Post 18: black, yellow, red, and blue
Roll-A-Post 24: black and yellow
- custom colors with minimum order qty.



**Rubber Base
Optional Wheels**
comes with two double wheel
assemblies installed



**Square Post = Stable Signs
No Twist or Wobble!**

**10X more contact
between sign & post
than with round post**

Sign Sits Flat Against Square Post

Strong Plastic Post with Reinforcing Center Crossbars

The Power Post™ Advantage

- 60" or 72" square post, available in white and black
- Reinforced plastic square post is stronger and more stable than round
 - 15% greater wind resistance than round posts
 - 10 times more surface area contact between sign and post
 - no sign twisting on post, no post rotating in base
 - impact resistant post has reinforcing center crossbars
- Lightweight and will never rust
- Pre-drilled holes for multiple sign sizes



Plasticade.com

PORTABLE POST WITH PLASTIC BASE

Sign Sizing Guide

18: use with signs 24" x 24" or smaller
recommendation based on ballast of 80 lbs.

24: use with signs 26"W x 38"H or smaller
recommendation based on ballast of 150 lbs.

Hardware Provided:

Hardware to attach sign included

- 1 ea. Hex Bolt Zinc 3/8 x 5
- 2 ea. Hex Bolt Zinc 3/8 x 2-1/2
- 2 ea. Washer 3/8
- 3 ea. Locknut 3/8-16
- 1 ea. Black Vinyl Cap for top of post



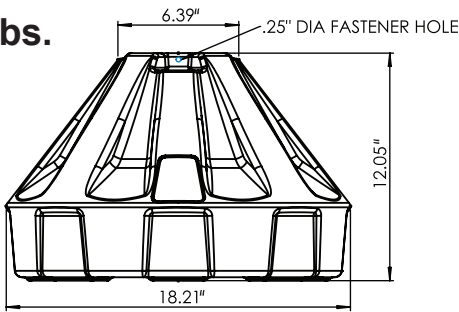
Fill Base With Dry Sand:

18: fill base with 60 - 80 lbs. of sand

24: fill base with 150 - 180 lbs. of sand

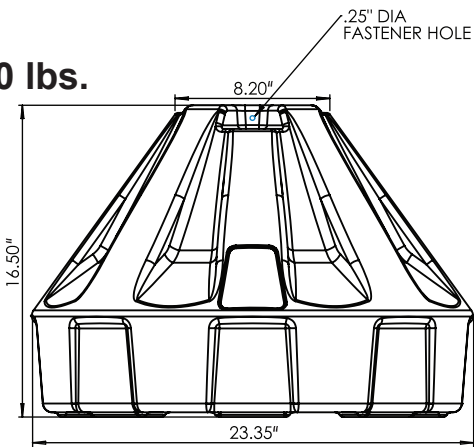
filling base with water is not recommended

7 lbs.



Roll-A-Post 18

10 lbs.



Roll-A-Post 24

Post Size	60"	72"
	Installed Height	
Roll-A-Post 18	63.7"H	*75.7"H
Roll-A-Post 24	65"H	77"H
Rubber: 30, 60, 90 lbs.	60"H	*72"H

* 72" post is not recommended for the Roll-A-Post 18 or the 30 lb. rubber base.

PORTABLE POST WITH RUBBER BASE

Sign Sizing Guide

30 lb. base: use with signs 12"W x 18"H or smaller

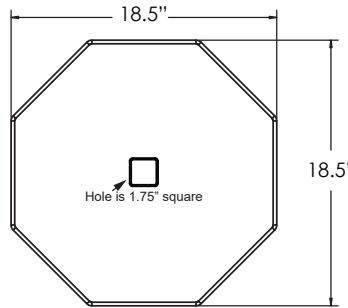
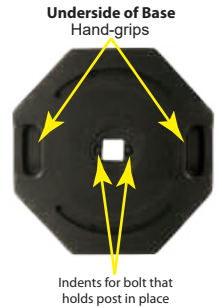
60 lb. base: use with signs 24" x 24" or smaller

90 lb. base: use with signs larger than 24" x 24"

Hardware Provided:

Hardware to attach sign included

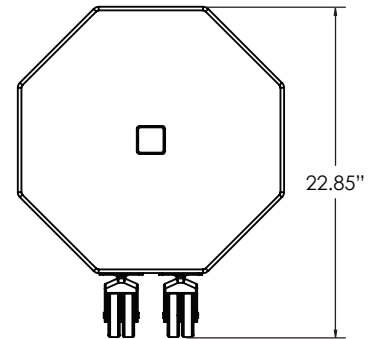
- 3 ea. Hex Bolt Zinc 3/8 x 2-1/2
- 2 ea. Washer 3/8
- 3 ea. Locknut 3/8-16
- 1 ea. Black Vinyl Cap for top of post



30 lb. base is 2.5"H

60 lb. base is 5"H

90 lb. base (bases stacked) 7.5"H

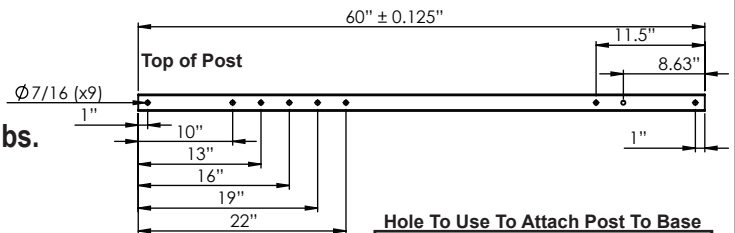


3" Diameter Wheels

Two Post Lengths: 60" and 72"

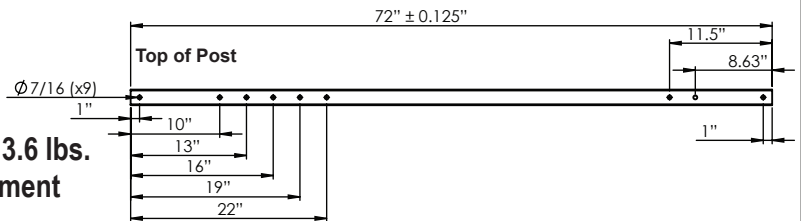
1.75"W

60"L Post, 3.25 lbs.
Hole Placement



1.75"W

72"L Post, 3.6 lbs.
Hole Placement



PLASTICADE®

100 Howard Avenue
Des Plaines, IL 60018
(800) 772-0355

Plasticade.com

MADE IN THE USA