

INTREPID™ ROLL-UP SIGN STAND

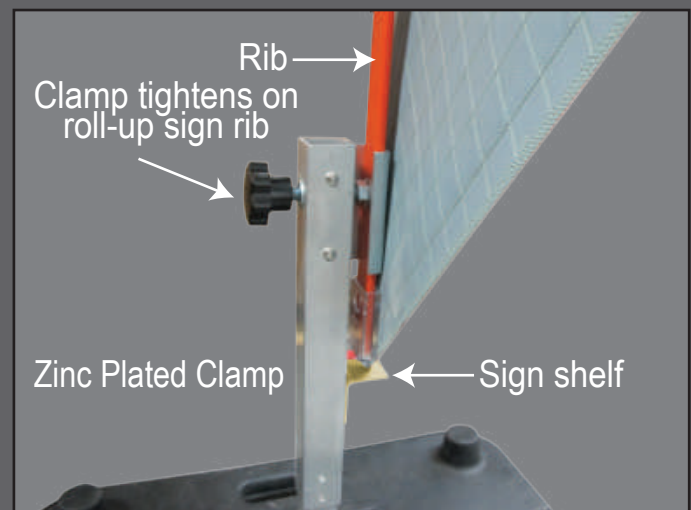
Molded rubber sign stand containing steel base plate and post for mounting of roll-up signs

MASH APPROVED



Model SSRB800

- Holds 36" & 48" roll-up signs
 - universal sign clamp, zinc plated steel grabs and tightens on roll-up rib
- Designed for quick, easy sign relocation
 - clamp portion of post can be separated with sign attached
 - two carry handles
- Low profile and compact
 - no extended legs spreading into traffic
- Heavy recycled rubber base stays in place, 44 lbs.
 - no need for additional ballast
- Post folds flat and locks for transport & storage
 - foot release lever to initiate fold down
 - multiple stacking lugs on rubber base
- MASH Accepted for 48" roll-up signs, WZ-342
- Meets MUTCD Standards



Clamp can be removed with sign attached for quick sign relocation

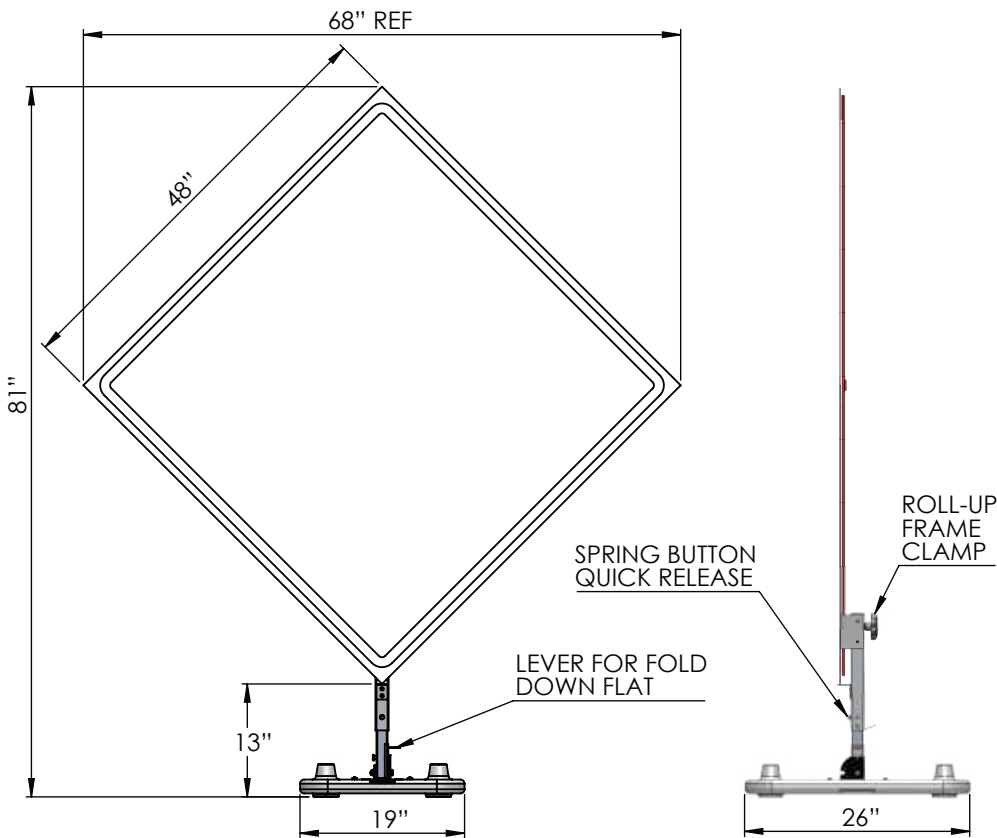


PLASTICADE®

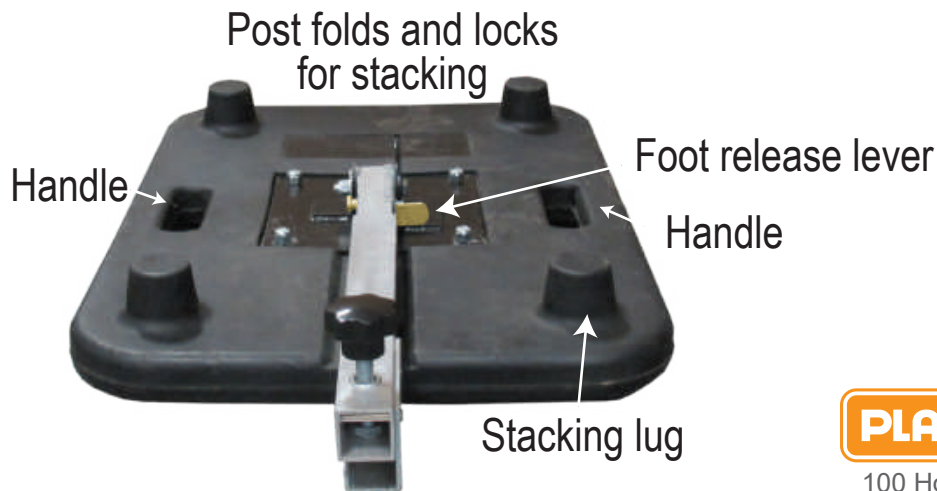
Plasticade.com

TF040 Rev. 3

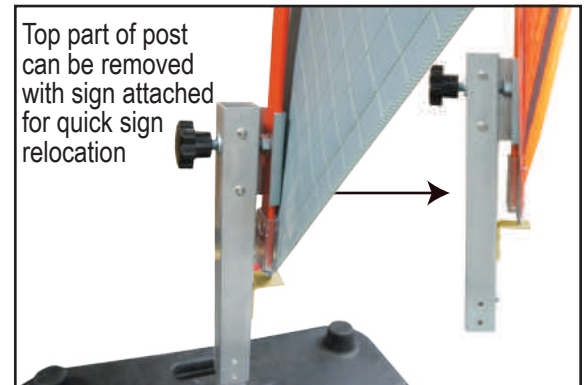
INTREPID™ ROLL-UP SIGN STAND



Specs	
Material	Model RB800
Base	Recycled rubber and powder coated steel
Post	Aluminum
Sign Mounting Height	13" from ground
Top of 48" Sign	81" H maximum
Size Folded	19"W x 31"D x 7"H
Size Open	19" x 26"
Weight	44 lbs.
Included Bracket	Intrepid Roll-Up Sign Clamp



Clamp can be removed with sign attached for quick sign relocation



PLASTICADE®

100 Howard Avenue
Des Plaines, IL 60018
phone (800) 772-0355
info@plasticade.com

Plasticade.com